

Spiral retaining cables

with two key rings

SPECIFICATION

Spiral retaining cable
Plastic (Polyuretan PUR)
black

Fixing loop
Copper, tin-plated

Key rings
Stainless Steel

Suitable for ball lock pins and pins with axial lock (see pages 870) :

* GN 113.1, GN 113.3, GN 113.4, GN 113.7, GN 113.8, GN 214.2, GN 214.3, GN 214.6 for pins $\varnothing 5$, $\varnothing 6$, $\varnothing 8$

and

* GN 113.5, GN 113.6, GN 114.2, GN 114.3, GN 114.6, GN 124.1, GN 124.2 for all pins

** 113.1, GN 113.3, GN 113.4, GN 113.7, GN 113.8, GN 214.2, GN 214.3, GN 214.6 for pins $\varnothing 10$, $\varnothing 12$, $\varnothing 16$, $\varnothing 20$



INFORMATION

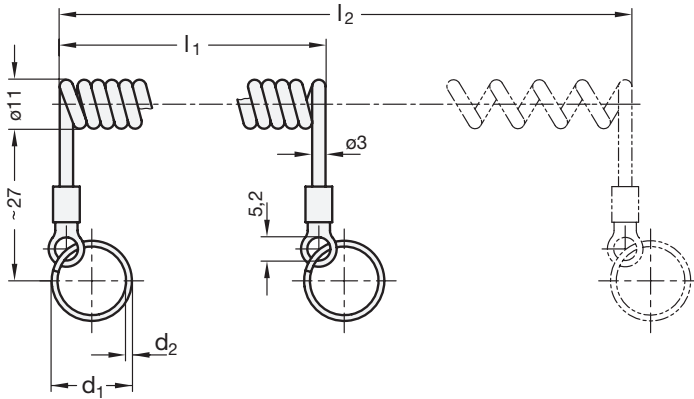
Spiral retaining cables GN 111.4 are used in connection with low weight elements e. g. ball lock pins and pins with axial lock.

They are distinguished for a large "useable length".

The key rings are supplied unmounted. Both rings have the same $\varnothing d_1$.

ACCESSORY

- Single key rings are supplied with code no. GN 111.3-d1 (see page 903)



GN 111.4

Description	$l_1 \pm 3$	d_1	$l_2 \text{ max. } \approx$	d_2	Static load in N \approx with key ring	Static load in N \approx without key ring	
GN 111.4-50-14	50	14*	250	1	50	60	10
GN 111.4-50-18	50	18**	250	1.3	60	60	10
GN 111.4-50-24	50	24	250	1.5	60	60	25
GN 111.4-100-14	100	14*	500	1	50	60	11
GN 111.4-100-18	100	18**	500	1.3	60	60	17
GN 111.4-100-24	100	24	500	1.5	60	60	12
GN 111.4-200-14	200	14*	1000	1	50	60	17
GN 111.4-200-18	200	18**	1000	1.3	60	60	17
GN 111.4-200-24	200	24	1000	1.5	60	60	18