

Studs

for Quick Release Couplings GN 1050
and Flanges GN 1050.2

SPECIFICATION

Types

- Type A: With threaded stud
- Type I: With internal thread

Steel ST

- Tempered
- Zinc plated, blue passivated

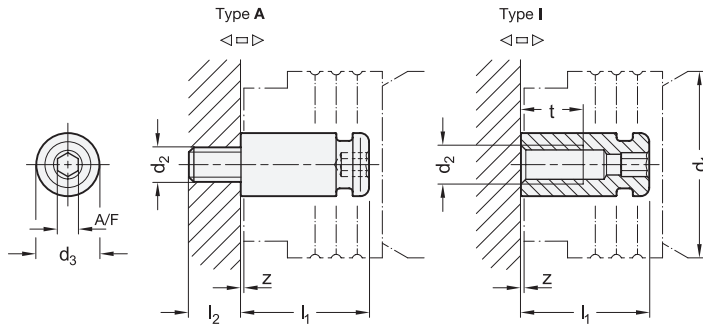
INFORMATION

Studs GN 1050.1 position and attach components without tools using quick release couplings GN 1050 (see page) for a tight and repeatable fit. The dimensions and material properties of the studs have been precisely adapted to the couplings to ensure proper functionality.

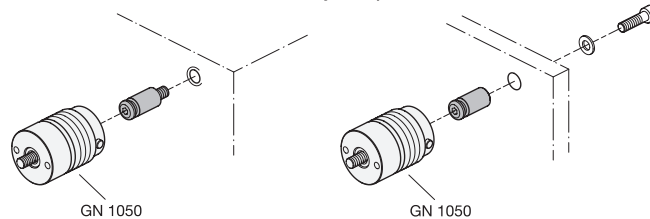
The studs can be purchased individually so that multiple studs can be paired with a coupling in alternation, such as to efficiently position fixtures in different locations depending on the workpiece. The studs are fastened with threaded stud or internal thread, depending on the type.

To achieve the indicated load capacities, threaded holes on the application or inserted nuts and screws must meet at least property class 8.

Flanges GN 1050.2 (see page) are available as an accessory for mounting the studs and provide additional attachment options.



Assembly examples



GN 1050.1

Description	Nominal size Quick release Coupling GN 1050	d2	d1	d3 ±0.03	l1	l2	A/F	t Min.	z ±0.1 Axial offset	⚖
GN 1050.1-2-M10-A-ST	2	M 10	53	18.25	37.1	15	6	-	0.4	80
GN 1050.1-2-M12-A-ST	2	M 12	53	18.25	37.1	18	6	-	0.4	85
GN 1050.1-2-M10-I-ST	2	M 10	53	18.25	37.1	-	6	18	0.4	60
GN 1050.1-2-M12-I-ST	2	M 12	53	18.25	37.1	-	6	18	0.4	55