

## Three-arm handwheels

### Technopolymer

#### MATERIAL

Glass-fibre reinforced polypropylene based (PP) technopolymer, black colour, matte finish.

#### BOSS CAP

Polyester based technopolymer (PBT) in Ergostyle colours, glossy finish, press-fit mounting.

Available also as accessory sold separately (see table ECB.).

Code	Description	Boss cap for
29451-*	ECB.I3-*	EYK.275/400

\* Complete with colour index (C1, ..., C6).

#### STANDARD EXECUTION

Black-oxide steel boss, H7 reamed hole.

Revolving handle EBS+x (see page 570) in technopolymer, not removable.

#### ACCESSORIES ON REQUEST

Axial retaining washer GN 184 (see page 971).

#### SPECIAL EXECUTION ON REQUEST

Black-oxide steel bosses with hole and keyway in compliance with DIN 6885/1 tolerance P9 (see page A16).

To order the handwheel with keyway add the index -K after the code and the description (i.e. 208311-K- EYK.400+I A-20-K-).

For sufficient quantities: executions with locking device (Elesa patent) (see page 155).

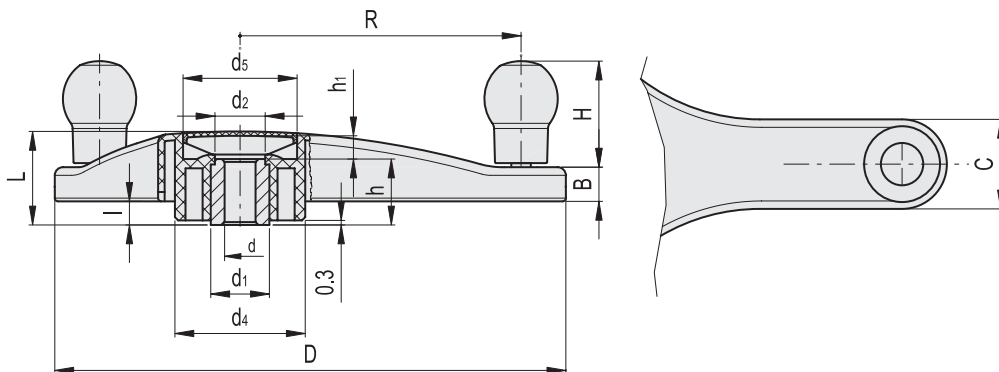
ETK. steering handwheel can be customised with marks, logo or special graphics (tampoprinting). The handwheels or handles can be supplied also in special coloured technopolymer.



ERGOSTYLE®

#### ERGONOMY AND DESIGN

The three equidistant arms (120°) offer a perfect grip and the greatest operational easiness, also to disable people. The rounded lines, the special compact and ergonomic shape of EYK. handwheel design together with the absence of cavities offer an excellent level of safety for hands during the steering operations.



\* Complete with colour index, example: 208111-C2 EYK.275+I A-20-C2

<b>C1</b>	<b>C2</b>	<b>C3</b>	<b>C4</b>	<b>C5</b>	<b>C6</b>
RAL7021	RAL2004	RAL7035	RAL1021	RAL5024	RAL3000

Code	Description	D	dH7	L	B	d1	d2	d4	d5	h	h1	I	C	H	R	C# [Nm]	L# [J]	⚖️
208111-*	EYK.275+I A-20-*	275	20	54	21	35	33	76	70	38	14	19.5	50	65	112.5	270	12	769
208311-*	EYK.400+I A-20-*	400	20	54	21	35	33	80	70	38	14	12	55	65	172.5	270	16	955

# For maximum applicable torque (C) and impact strength (L) see Technical Data on page A3.

