

Wing knobs

Technopolymer, pad

MATERIAL

Glass-fibre reinforced polyamide based (PA) technopolymer, grey-black colour, matte finish.

CAP

Glass-fibre reinforced polyamide based (PA) technopolymer, in Ergostyle colours, matte finish, press-fit assembly. Available also as accessory sold separately (see table ECA.).

Code	Description	Cap for
29752-*	ECA.W2-*	EWN.48
29753-*	ECA.W3-*	EWN.55
29754-*	ECA.W4-*	EWN.70

* Complete with colour index (C1, ..., C17).

STANDARD EXECUTIONS

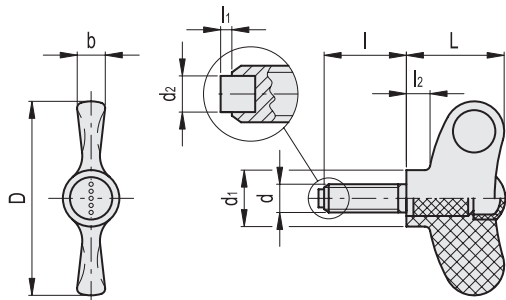
- **EWN-SST-p-PO:** AISI 303 stainless steel threaded stud, acetal resin (POM) pad.
- **EWN-SST-p-PB:** AISI 303 stainless steel threaded stud, brass pad.

FEATURES AND APPLICATIONS

The chamfered end with bolt avoids to damage the surface of contact even in case of strong clamping. Standard executions either with brass or acetal resin pad.

ERGONOMY AND DESIGN

The slightly concave marks on the wings help to position the fingers in order to apply the maximum force when tightening.



* Complete with colour index, example: 224556-C2 EWN.48-SST-p-M6x20-PO-C2

C1 RAL7021
 C2 RAL2004
 C3 RAL7035
 C4 RAL1021
 C5 RAL5024
 C6 RAL3000
 C17 RAL6017

EWN-SST-p-PO

STAINLESS STEEL

Code	Description	D	d6g	L	d1	d2	l	l1	l2	b	⚖
224556-*	EWN.48-SST-p-M6x20-PO-*	47	M6	24	13.5	4	20	1.5	5.5	7	13
224586-*	EWN.48-SST-p-M6x30-PO-*	47	M6	24	13.5	4	30	1.5	5.5	7	15
224646-*	EWN.55-SST-p-M8x20-PO-*	55	M8	28	16	5	20	1.8	6.5	8	23
224656-*	EWN.55-SST-p-M8x30-PO-*	55	M8	28	16	5	30	1.8	6.5	8	26
224676-*	EWN.70-SST-p-M10x20-PO-*	70	M10	36	20	6	20	2	8	10	41
224686-*	EWN.70-SST-p-M10x30-PO-*	70	M10	36	20	6	30	2	8	10	47

EWN-SST-p-PB

STAINLESS STEEL

Code	Description	D	d6g	L	d1	d2	l	l1	l2	b	⚖
224576-*	EWN.48-SST-p-M6x20-PB-*	47	M6	24	13.5	4	20	1.5	5.5	7	14
224586-*	EWN.48-SST-p-M6x30-PB-*	47	M6	24	13.5	4	30	1.5	5.5	7	16
224661-*	EWN.55-SST-p-M8x20-PB-*	55	M8	28	16	5	20	1.8	6.5	8	24
224666-*	EWN.55-SST-p-M8x30-PB-*	55	M8	28	16	5	30	1.8	6.5	8	27
224691-*	EWN.70-SST-p-M10x20-PB-*	70	M10	36	20	6	20	2	8	10	42
224696-*	EWN.70-SST-p-M10x30-PB-*	70	M10	36	20	6	30	2	8	10	48