

Guard safety handles

Technopolymer

MATERIAL

Glass-fibre reinforced polyamide based (PA) technopolymer, grey-black colour, matte finish.

SCREW COVER

- ECO.S: polyester based technopolymer (PBT) in Elecolors colours, glossy finish, press-fit assembly. Supplied. Available also as accessories sold separately (see table).

STANDARD EXECUTIONS

- **ESP-EH:** pass-through holes for cylindrical-head screws with hexagon socket, hexagonal-head screws or standard lock nuts.
- **ESP-SH:** pass-through holes for countersunk head screws.

FEATURES AND APPLICATIONS

ESP handles have been especially designed to fit machine guards or automation systems with double-leaf door. The special closed design of the handle represents a safety element for the operator's fingers. Moreover, the coloured cover improves the visibility of the handle and offers the possibility of product customisation.

TECHNICAL DATA

Tensile stress: F1 value reported in the table is the result of breaking tests carried out with an appropriate dynamometric equipment under the test conditions shown in the figure with ambient temperature. Maximum tightening torque for screw assembly 3 Nm.

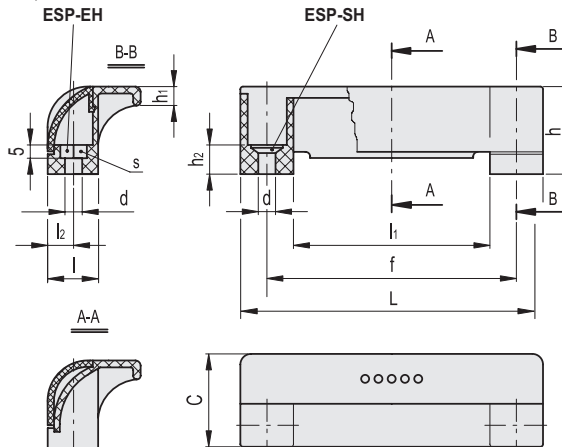


C1	C2	C3	C4	C5	C6	C17
RAL7021	RAL2004	RAL7035	RAL1021	RAL5024	RAL3000	RAL6017

ECO.S

Code	Description	Cover for
29864.*	ECO.S4.*	ESP.110

* Complete with colour index (C1, ..., C6).



* Complete with colour index, example: 265111-C2 ESP.110-EH-C2

C1	C2	C3	C4	C5	C6	C17
RAL7021	RAL2004	RAL7035	RAL1021	RAL5024	RAL3000	RAL6017

Code	Description	L	f±0.5	d	s	h	h1	h2	C	l	l1	l2	F1 [N]	
265111.*	ESP.110-EH.*	114	93.5	6.5	10	33	7	11	35	19	74	9.5	900	33
265151.*	ESP.110-SH.*	114	93.5	6.5	-	33	7	11	35	19	74	9.5	900	33