

Flush pull handles with gasket

for snap-in assembly, technopolymer

MATERIAL

Glass-fibre reinforced polyamide based (PA) technopolymer, grey-black colour, matte finish.

PACKING RING

Polyurethane foam. Good resistance to weak acid or basic detergent solutions, mineral oils and derivatives.

Medium resistance to fuels, alcohols, glycols and ethers. Not resistant to strong acids/bases/organic solvents (ketones and chlorinated solvents).

ERGONOMY AND DESIGN

A modern design thanks to the compact shape. The internal profile of the cavity offers a safe, comfortable and ergonomic grip.

FEATURES

The presence of the gasket assures the protection against water droplets and dust.

TECHNICAL DATA

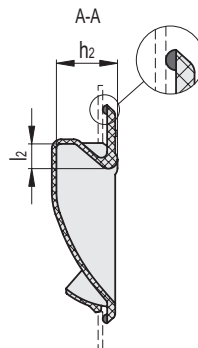
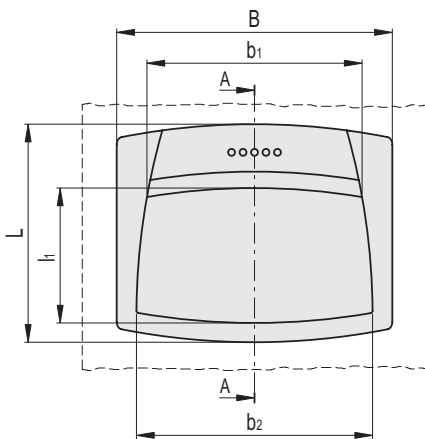
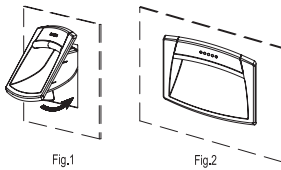
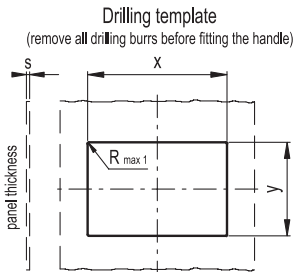
The lifting (F1) and pull out (F2) resistance values reported in the table are the result of laboratory tests carried out with handles assembled on strengthened metal sheet panels with thickness = 1.5 mm (strengthened for test purposes).

ASSEMBLY INSTRUCTIONS

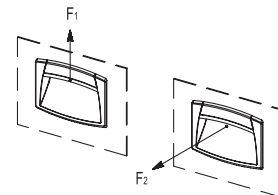
1. Drill the handle housing according to the template dimensions.
2. Remove all drilling burrs before fitting the handle.
3. Fit the upper part of the handle into the housing (Fig.1).
4. Press onto the lower part until the handle is completely snapped in (Fig. 2).



ERGOSTYLE®



S	EPR.110-PF-IP		EPR.120-PF-IP	
	X	Y	X	Y
1	100 ±0.2	50.5 ±0.1	107.5 ±0.2	71.3 ±0.1
1.5	100 ±0.2	51.4 ±0.1	107.5 ±0.2	71.8 ±0.1



Code	Description	B	L	H	h1	h2	b1	b2	l1	l2	F1 [N]	F2 [N]	⚖️
261161-C1	EPR.110-PF-IP-C1	109	73	24	20	21.5	91	96	42	9	1300	400	45
261171-C1	EPR.120-PF-IP-C1	120	95	28.5	24	26.5	94	103	58	11	1000	250	64