

## Monospoke handwheels

### Technopolymer

#### MATERIAL

Glass-fibre reinforced polypropylene based (PP) technopolymer black colour, matte finish.

#### BOSS CAP

- ECB.I: polyester based technopolymer (PBT) in Elecolors colours, glossy finish, press-fit assembly. Supplied.  
Available also as accessory sold separately (see table).

#### STANDARD EXECUTIONS

Black-oxide steel boss, H7 reamed hole.

- **EMW+IEL:** with revolving handle IEL+x SOFT (see page ) in technopolymer coated with "Soft touch" thermoplastic elastomer (TPE).

- **EMW+IR:** with fold-away handle IR.620 (see page ) in technopolymer.

#### ACCESSORIES ON REQUEST

- GN 184: axial retaining washer in black-oxide steel (see page ).  
- ECB.I: polyester based technopolymer (PBT) boss cap, in Elecolors colours, glossy finish, press-fit assembly (see table).

#### SPECIAL EXECUTIONS ON REQUEST

Bosses with hole and keyway in compliance with DIN 6885/1 tolerance P9 (see page ).

To order the hand-wheel with keyway complete code and description with the index -K (i.e. 204611-K- EMW.350+IEL A-20-K).

For sufficient quantities: executions with locking device (Elesa patent) (see page ).



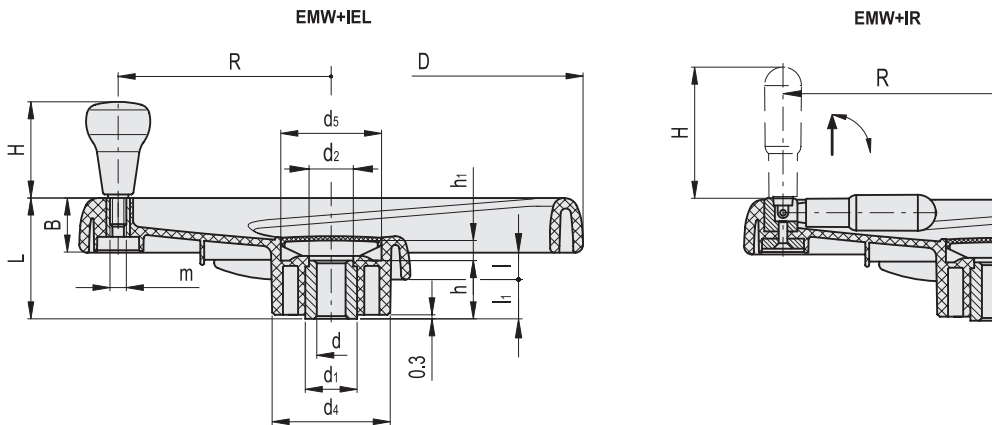
ERGOSTYLE®

<b>C1</b>	<b>C2</b>	<b>C3</b>	<b>C4</b>	<b>C5</b>	<b>C6</b>
RAL7021	RAL2004	RAL7035	RAL1021	RAL5024	RAL3000

#### ECM.K

Code	Description	Hub cap for
29633.*	ECM.K3-*	EKH.100
29634.*	ECM.K4-*	EKH.125

\* Complete with colour index (C1, ..., C6).



\* Complete with colour index, example: 204611-C2 EMW.350+IEL A-20-C2

<b>C1</b>	<b>C2</b>	<b>C3</b>	<b>C4</b>	<b>C5</b>	<b>C6</b>
RAL7021	RAL2004	RAL7035	RAL1021	RAL5024	RAL3000

#### EMW+IEL

Code	Description	D	dH7	L	B	d1	d2	d4	d5	l	li	h	h1	H	m	R	C# [Nm]	L# [J]	⚖️
204611-*	EMW.350+IEL-A-20-*	350	20	82	38	35	33	82	70	19	25	38	14	65	M10	148	380	14	1195

#### EMW+IR

Code	Description	D	dH7	L	B	d1	d2	d4	d5	l	li	h	h1	H	R	C# [Nm]	L# [J]	⚖️
204711-*	EMW.350+IR-A-20-*	350	20	82	38	35	33	82	70	19	25	38	14	90	148	380	14	1240

# For maximum torque (C) and impact strength (L) see Technical Data on page .