

## Control lever

arranged for clicking operation, technopolymer

### MATERIAL

Glass-fibre reinforced polyamide based (PA) technopolymer, grey-black colour, matte finish.

### BOSS CAP

Technopolymer in the Ergostyle colours, matte finish. Supplied, push-fit assembly, removable by a screwdriver. Available also as accessory sold separately (see table ECB.).

Code	Description	Boss cap for
29553-*	ECB.T3-*	ELCR.118

\* Complete with colour index (C1, ..., C6).

### STANDARD EXECUTION

Black-oxide steel boss, H7 reamed hole

### FEATURES AND APPLICATIONS

Control levers ELCR. have a straight lever, parallel to the clamping surface. Particularly suitable when the lever turning angle is limited owing to lack of space.

### ERGONOMY

Rotations are performed smoothly and powerfully thanks to the heavy-duty arm of the lever, while the enlarged end offers an effective grip.

### MANOEUVRE ANGLE LIMITATION

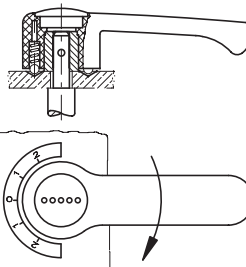
A limited manoeuvre angle is possible by fitting stop pins in the rear guide slot.

### ACCESSORIES ON REQUEST

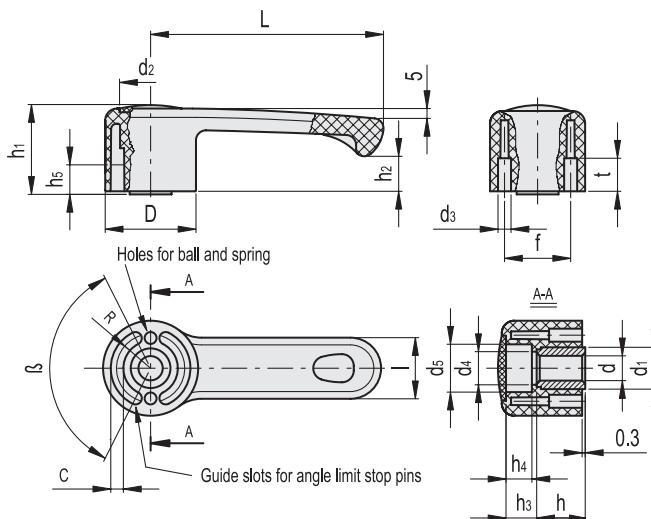
- Axial retaining washer GN 184 (see page 971).
- Ball and spring for clicking operation to be fitted into the two holes d3 drilled at 180° (see ball and spring MS. on page 610).



Assembly example  
by means of ball and spring  
for clicking operation



ERGOSTYLE®



\* Complete with colour index, example: 212241-C2 ELCR.118 A-12-C2

C1	C2	C3	C4	C5	C6	C17
RAL7021	RAL2004	RAL7035	RAL1021	RAL5024	RAL3000	RAL6017

Code	Description	D	dH7	L	h	h1	h2	h3	h4	h5	d1	d2	d3	d4	d5	l	R	t	c	β	f	⚖
212241-*	ELCR.118 A-12-*	46	12	118	22	44	18,5	19	17	10	22	31,5	6	17	25,5	29	17,5	15,5	6,5	125±1°	32	135