

Vibration-damping elements

for wall mounting, rubber and steel

OVAL MOUNTING FLANGE AND TAPPED BOSS

Zinc-plated steel.

VIBRATION-DAMPING BODY

Natural rubber NR, black colour.
Hardness 40 and 60 Shore A ± 5 .

FEATURES AND APPLICATIONS

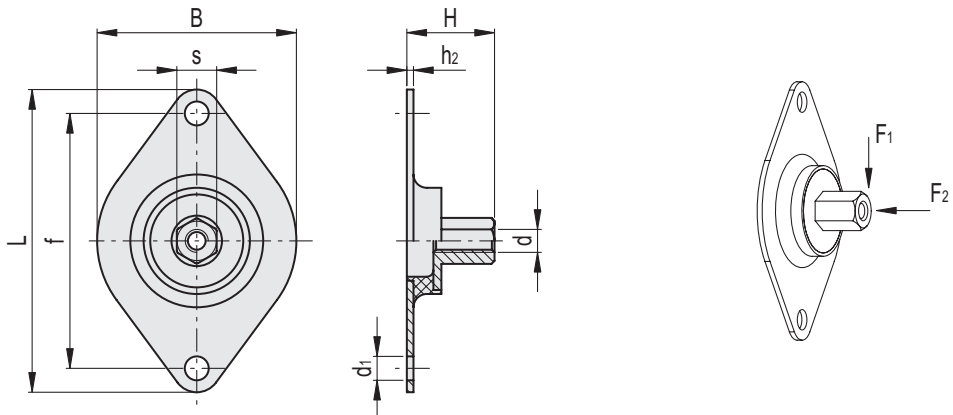
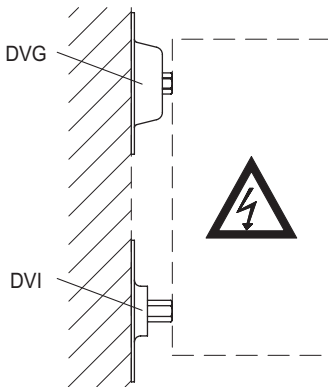
DVI vibration-damping elements are generally used in combination with DVG vibration-damping elements to protect the electrical panel from surrounding vibrations (Fig.1). Particularly suitable for the support of fans or other wall mounted vibrating equipment.

SPECIAL EXECUTIONS ON REQUEST

NR natural rubber executions with different hardness.



Fig.1



Code	Description	B	L	H	d	d1	h2	s	f	F1 [N]	F2 [N]	Δ
436051	DVI-M8-A-40	75	114	33	M8	9	2.5	15	96	14	30	147
436056	DVI-M8-A-60	75	114	33	M8	9	2.5	15	96	25	70	147