

Vibration-damping elements

for wall or ceiling mounting, rubber and steel

OVAL MOUNTING FLANGE AND TAPPED BOSS

Zinc-plated steel.

VIBRATION-DAMPING BODY

Natural rubber NR, black colour.
Hardness 40 and 60 Shore A ±5.

FEATURES AND APPLICATIONS

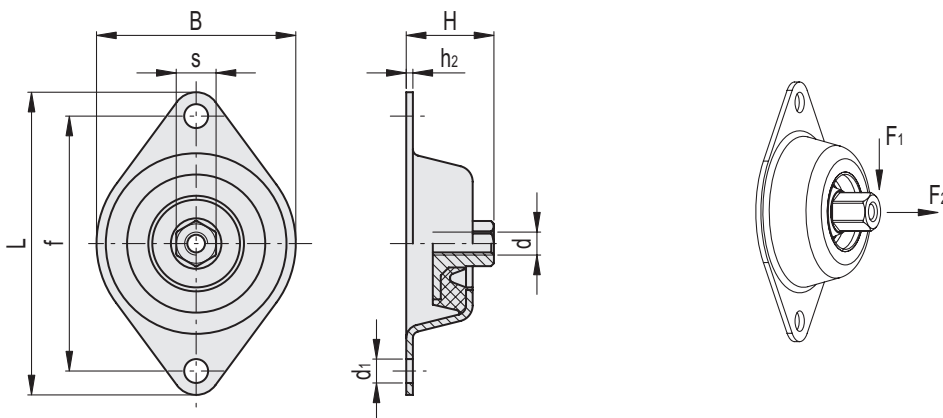
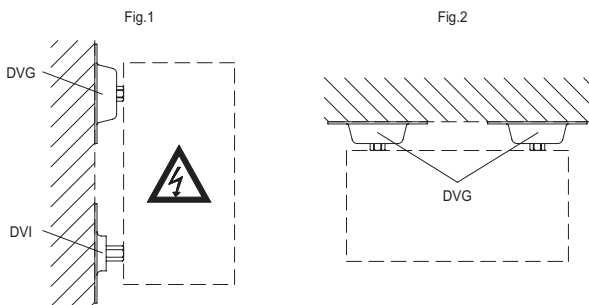
DVG vibration-damping elements are generally used in combination with DVI vibration-damping elements to protect the electrical panel from surrounding vibrations (Fig.1).

Particularly suitable for the support of fans or other wall mounted vibrating equipment.

They can be used to support tubes or ceiling mounted equipment (Fig.2).

SPECIAL EXECUTIONS ON REQUEST

NR natural rubber executions with different hardness.



| Code | Description | B | L | H | d | d1 | h2 | s | f | F1 [N] | F2 [N] | ⚖ |
|--------|-------------|----|-----|----|----|----|-----|----|----|--------|--------|-----|
| 436001 | DVG-M8-A-40 | 75 | 114 | 33 | M8 | 9 | 2.5 | 15 | 96 | 14 | 30 | 213 |
| 436006 | DVG-M8-A-60 | 75 | 114 | 33 | M8 | 9 | 2.5 | 15 | 96 | 25 | 70 | 213 |