

GN 751 DIN 71752

Fork joints
Fork heads

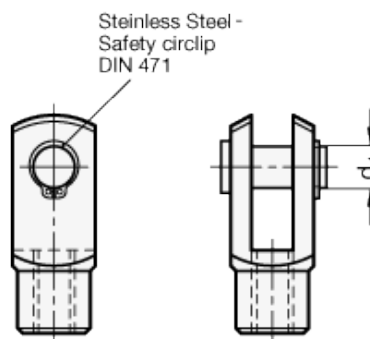
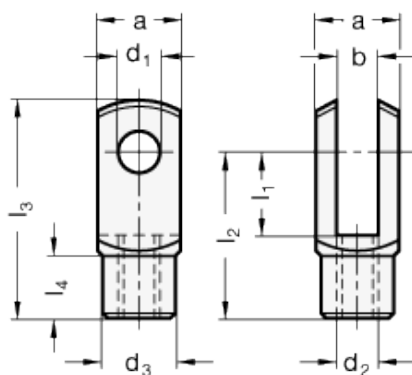


INOX
Stainless Steel



Fork head DIN 71752

Fork joint GN 751



technical informations

Material

AISI 303 stainless steel.

Applications

GN 751 fork joints consist of a fork head DIN 71752 assembled with fork pin with safety circlip (type A).

AISI 303 stainless steel, thanks to its high resistance to corrosion, allows the application of these fork joints on machines and equipment in those sectors where laws or particular hygienic, climatic and environmental factors make it mandatory to use corrosion resistant materials.

Standard Elements		Main dimensions									Weight
Off pin	Complete	d_1 H9/h11	l_1	d_2	a	b	d_3	l_2	l_3	l_4	
Description	Description										g
DIN 71752-4-8-M4-NI	GN 751-4-8-M4-A-NI	4	8	M4	8	4	8	16	21	6	5

DIN 71752-4-16-M4-NI	GN 751-4-16-M4-A-NI	4	16	M4	8	4	8	24	29	6	6
DIN 71752-5-10-M5-NI	GN 751-5-10-M5-A-NI	5	10	M5	10	5	9	20	26	7.5	9
DIN 71752-5-20-M5-NI	GN 751-5-20-M5-A-NI	5	20	M5	10	5	9	30	36	7.5	19
DIN 71752-6-12-M6-NI	GN 751-6-12-M6-A-NI	6	12	M6	12	6	10	24	31	9	20
DIN 71752-6-24-M6-NI	GN 751-6-24-M6-A-NI	6	24	M6	12	6	10	36	43	9	30
DIN 71752-8-16-M8-NI	GN 751-8-16-M8-A-NI	8	M8	14	42	32	16	12	16	12	45
DIN 71752-8-32-M8-NI	GN 751-8-32-M8-A-NI	8	32	M8	16	8	14	48	58	12	60
DIN 71752-10-20-M10-NI	GN 751-10-20-M10-A-NI	10	20	M10	20	10	18	40	52	15	90
DIN 71752-10-40-M10-NI	GN 751-10-40-M10-A-NI	10	40	M10	20	10	18	60	72	15	120
DIN 71752-12-24-M12-NI	GN 751-12-24-M12-A-NI	12	24	M12	24	12	20	48	62	18	144
DIN 71752-12-48-M12-NI	GN 751-12-48-M12-A-NI	12	48	M12	24	12	20	72	86	18	190
DIN 71752-14-28-M14-NI	GN 751-14-28-M14-A-NI	14	28	M14	28	14	24	56	72	22.5	220
DIN 71752-14-56-M14-NI	GN 751-14-56-M14-A-NI	14	56	M14	28	14	24	85	101	22.5	280
DIN 71752-16-32-M16-NI	GN 751-16-32-M16-A-NI	16	32	M16	32	16	26	64	83	24	335
DIN 71752-16-64-M16-NI	GN 751-16-64-M16-A-NI	16	64	M16	32	16	26	96	115	24	460
DIN 71752-20-40-M20-NI	GN 751-20-40-M20-A-NI	20	40	M20	40	20	34	80	105	30	800



STANDARD MACHINE ELEMENTS WORLDWIDE