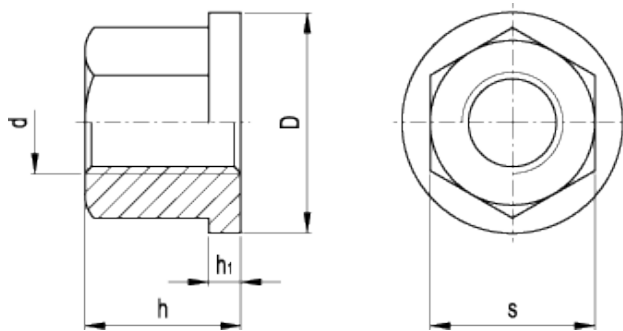


DIN 6331

Collar nuts



technical informations

Material

Black-oxide steel class 10 (tensile strength 1000 N/mm²).

Features and applications

DIN 6331 collar nuts are used on clamping applications which require frequent clamping and releasing operations. The collar of the nut eliminates the need of washers.

Standard Elements	Main dimensions					Weight
Description	d	D	h	h ₁	s	g
DIN 6331-M6	M6	14	9	3	10	9
DIN 6331-M8	M8	18	12	3.5	13	13
DIN 6331-M10	M10	22	15	4	16	26
DIN 6331-M12	M12	25	18	4	18	32
DIN 6331-M14	M14	28	21	4	22	51
DIN 6331-M16	M16	31	24	5	24	71
DIN 6331-M20	M20	37	30	6	30	135
DIN 6331-M24	M24	45	36	6	36	230
DIN 6331-M30	M30	58	45	8	46	410
DIN 6331-M36	M36	68	54	10	55	810



STANDARD MACHINE ELEMENTS WORLDWIDE