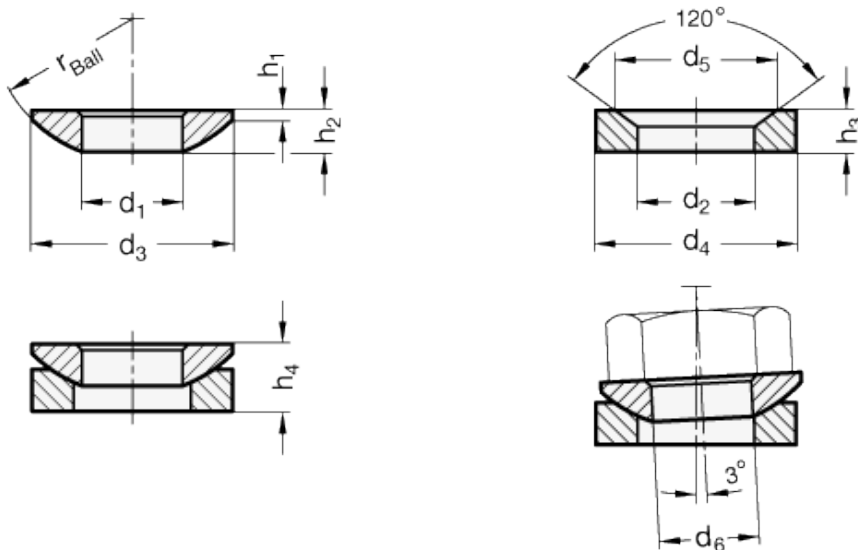


DIN 6319-A4

Spherical washers



INOX
Stainless Steel



technical informations

Material

AISI 316 stainless steel, not hardened.

Standard versions available

- Type C: male.
- Type D: female $d_4 = d_3$.

Features and applications

Stainless Steel-Spherical washers DIN 6319 are used for clamping on non-parallel surfaces.

Standard Elements	Main dimensions											Weight
Description	d _{1 H12}	d _{2 H12}	d ₃	d ₄	d ₅	d ₆	h ₁	h ₂	h ₃	h ₄	r	g
DIN 6319-6.4-C-A4	6.4	-	12	-	-	M6	0.7	2.3	-	4.2	9	3
DIN 6319-8.4-C-A4	8.4	-	17	-	-	M8	0.6	3.2	-	5.6	12	5
DIN 6319-10.5-C-A4	10.5	-	21	-	-	M10	0.8	4	-	6.5	15	7
DIN 6319-13-C-A4	13	-	24	-	-	M12	1.1	4.6	-	8	17	10
DIN 6319-17-C-A4	17	-	30	-	-	M16	1.3	5.3	-	9.6	22	13
DIN 6319-21-C-A4	21	-	36	-	-	M20	2	6.3	-	11.7	27	22
DIN 6319-25-C-A4	25	-	44	-	-	M24	2.4	8.2	-	15.2	32	43
DIN 6319-31-C-A4	31	-	56	-	-	M30	3.6	11.2	-	19.2	41	110
DIN 6319-7.1-D-A4	-	7.1	-	12	11	M6	-	-	2.8	4.2	-	2
DIN 6319-9.6-D-A4	-	9.6	-	17	14.5	M8	-	-	3.5	5.6	-	4
DIN 6319-12-D-A4	-	12	-	21	18.5	M10	-	-	4.2	6.5	-	7
DIN 6319-14.2-D-A4	-	14.2	-	24	20	M12	-	-	5	8	-	10
DIN 6319-19-D-A4	-	19	-	30	26	M16	-	-	6.2	9.6	-	18
DIN 6319-23.2-D-A4	-	23.2	-	36	31	M20	-	-	7.5	11.7	-	31
DIN 6319-28-D-A4	-	28	-	44	37	M24	-	-	9.5	15.2	-	61
DIN 6319-35-D-A4	-	35	-	56	49	M30	-	-	12	19.2	-	120



ELESA and GANTER models all rights reserved in accordance with the law. Always mention the source when reproducing our drawings.

STANDARD MACHINE ELEMENTS WORLDWIDE