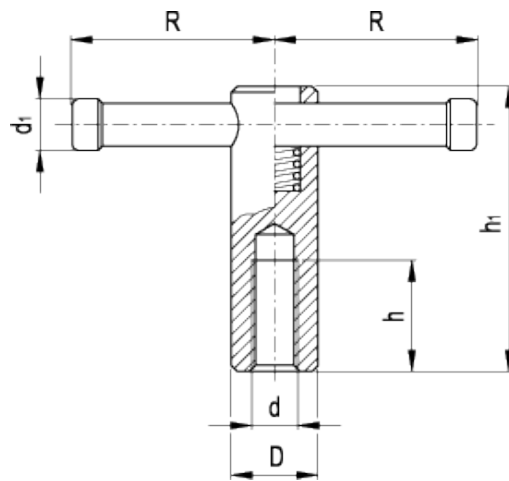


DIN 6307

Tommy nuts



technical informations

Material

Black-oxide steel.

Bar end caps

Light grey acetal resin based (POM) technopolymer.

Features and applications

Thanks to the inner spring it can be moved to any position and maintained in the right position by it. The end caps are pressed onto the bar and thus can limit its movement. They can also be supplied separately should the bar be plated first.

Standard Elements	Main dimensions				Mounting hole		Weight
Description	D	R	d ₁	h ₁	d	h	g
DIN 6307-M10	18	40	8	60	M10	20	110
DIN 6307-M12	20	50	10	70	M12	25	178
DIN 6307-M16	24	60	13	85	M16	35	320
DIN 6307-M20	30	70	16	95	M20	40	568



STANDARD MACHINE ELEMENTS WORLDWIDE