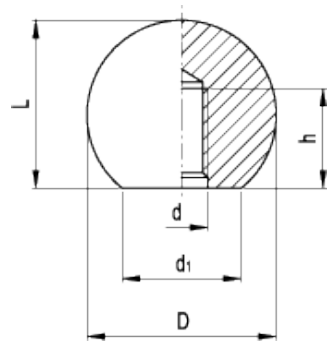


DIN 319-NI

Ball knobs



INOX
Stainless Steel



technical informations

Material

AISI 303 stainless steel, shot-blasted matte finish.

Assembly

Tapped blind hole.

Standard Elements	Main dimensions			Mounting hole		Weight
Description	D	L	d ₁	d	h _{min.}	g
DIN 319-NI-16-B6-C	16	15	8	B6	7	15
DIN 319-NI-16-M4-C	16	15	8	M4	7	16
DIN 319-NI-20-B8-C	20	18	12	B8	9	20
DIN 319-NI-20-M5-C	20	18	12	M5	9	26
DIN 319-NI-25-B10-C	25	22.5	15	B10	11	25
DIN 319-NI-25-M6-C	25	22.5	15	M6	11	59
DIN 319-NI-32-B12-C	32	29	18	B12	14.5	50
DIN 319-NI-32-M8-C	32	29	18	M8	14.5	125
DIN 319-NI-40-B16-C	40	37	22	B16	18	175
DIN 319-NI-40-M10-C	40	37	22	M10	18	260
DIN 319-NI-50-B20-C	90	46	27	B20	21	384



STANDARD MACHINE ELEMENTS WORLDWIDE