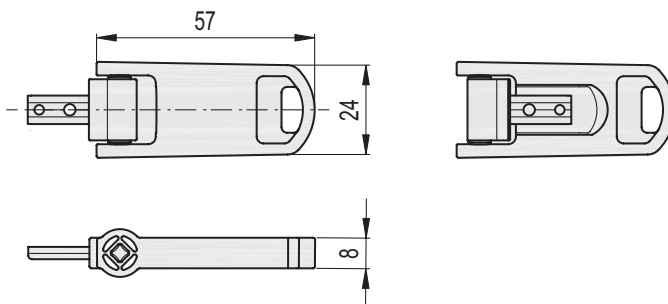
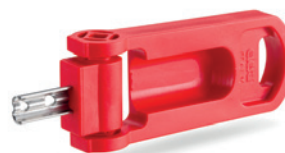


- 1 
- 2 
- 3 
- 4 
- 5 
- 6 
- 7 
- 8 
- 9 
- 10 
- 11 
- 12 
- 13 
- 14 
- 15 
- 16** 
- 17 
- 18 

MATERIAL

Acetal resin-based (POM) technopolymer, red colour, with stainless steel anti-intrusion-profile insert.



Accessories for hydraulic systems

CWL

| Code | Description |  |
|------|-------------|---|
| 6953 | CWL | 10 |