

Monodirectional screw-on levels

for screw mounting, technopolymer

MATERIAL

Polycarbonate (PC).

FLUID HOUSING

Polymethyl methacrylate (PMMA).

CONTRAST FLUID

Transparent green colour, UV resistant.

SENSITIVITY OF SCREW-ON LEVELS

Movement of the bubble by 2 mm for an inclination of the body of 31 angle minutes with respect to the horizontal surface.

STANDARD EXECUTIONS

- **BOL-MB-AV**: without springs and screws, for fixed mounting.
- **BOL-MB-JV**: with harmonic steel springs and zinc-plated steel self-tapping screws, for adjustable mounting.

FEATURES AND APPLICATIONS

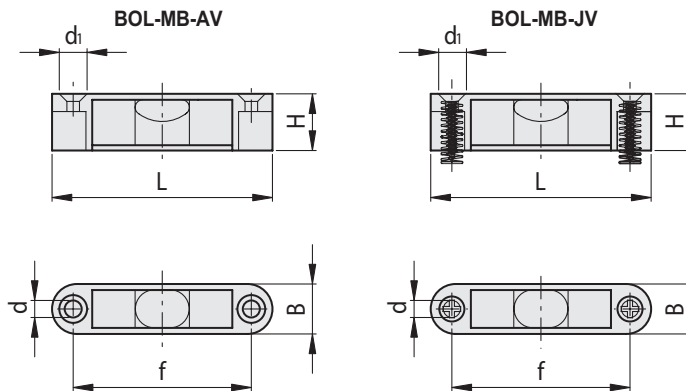
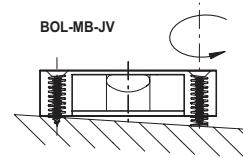
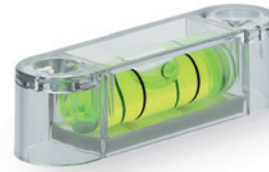
BOL-MB level bubbles are used to control the horizontal positioning of jigs, machines, devices, equipment and instruments.

The transparent housing, in impact-resistant polycarbonate, allows you to check the alignment of the bubble in front or side positions.

They indicate the angle of inclination in the direction of the level bubble axis.

To obtain a bi-directional alignment it is necessary to use two level bubbles with adjusting screws at 90 degrees.

BOL-JV bubbles alignment to be customised depending on the mounting surface thanks to the use of springs, which can be adjusted by tightening the screws.



BOL-MB-AV

Code	Description	d	d ₁	L	H	B	f	Δ
438151	BOL-MB-56-G-31-AV	4.2	7.4	56	15	15	42.5	8
438161	BOL-MB-87-G-31-AV	4.2	7.4	87	16	17	69	12

BOL-MB-JV

Code	Description	d	d ₁	L	H	B	f	Δ
438171	BOL-MB-56-G-31-JV	4.2	7.4	56	15	15	42.5	13
438181	BOL-MB-87-G-31-JV	4.2	7.4	87	16	17	69	17