

Connecting bar for GLA and GCA guides

Steel

BODY

Zinc-plated steel.

SCREWS

Zinc-plated steel.

FEATURES AND APPLICATIONS

BDG connecting bar is used for connecting the profiles (Fig.1) of the different side guides (GLA) or central guides (GCA). It is supplied with 4 assembly grub screws M8x10 with hexagon socket.

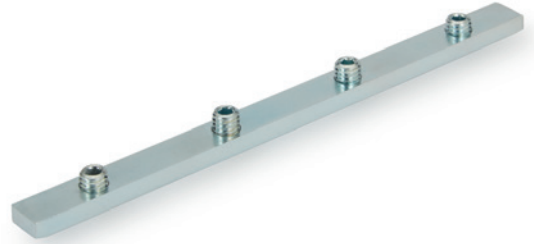
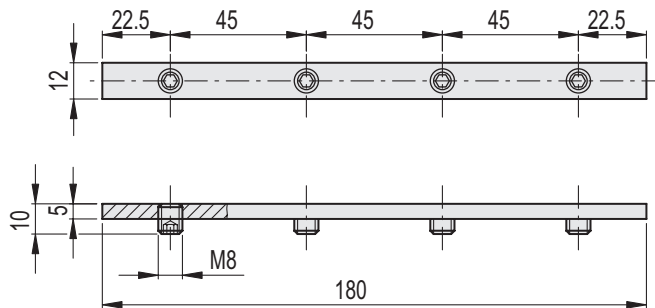
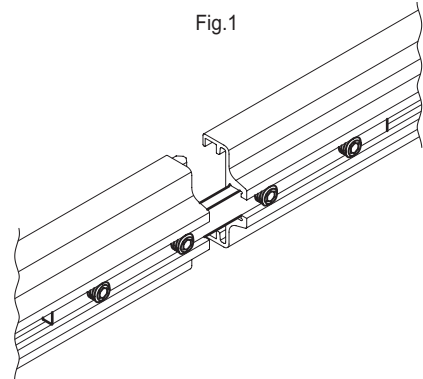


Fig.1



Code	Description	
419141	BDG-12-180	80