



APC

Adapter for PC support clamp for round tubes

Technopolymer



Main specifications

Material

Glass-fibre reinforced polyamide based (PA) technopolymer, RAL 7042 grey colour, matte finish.

General information

Features and applications

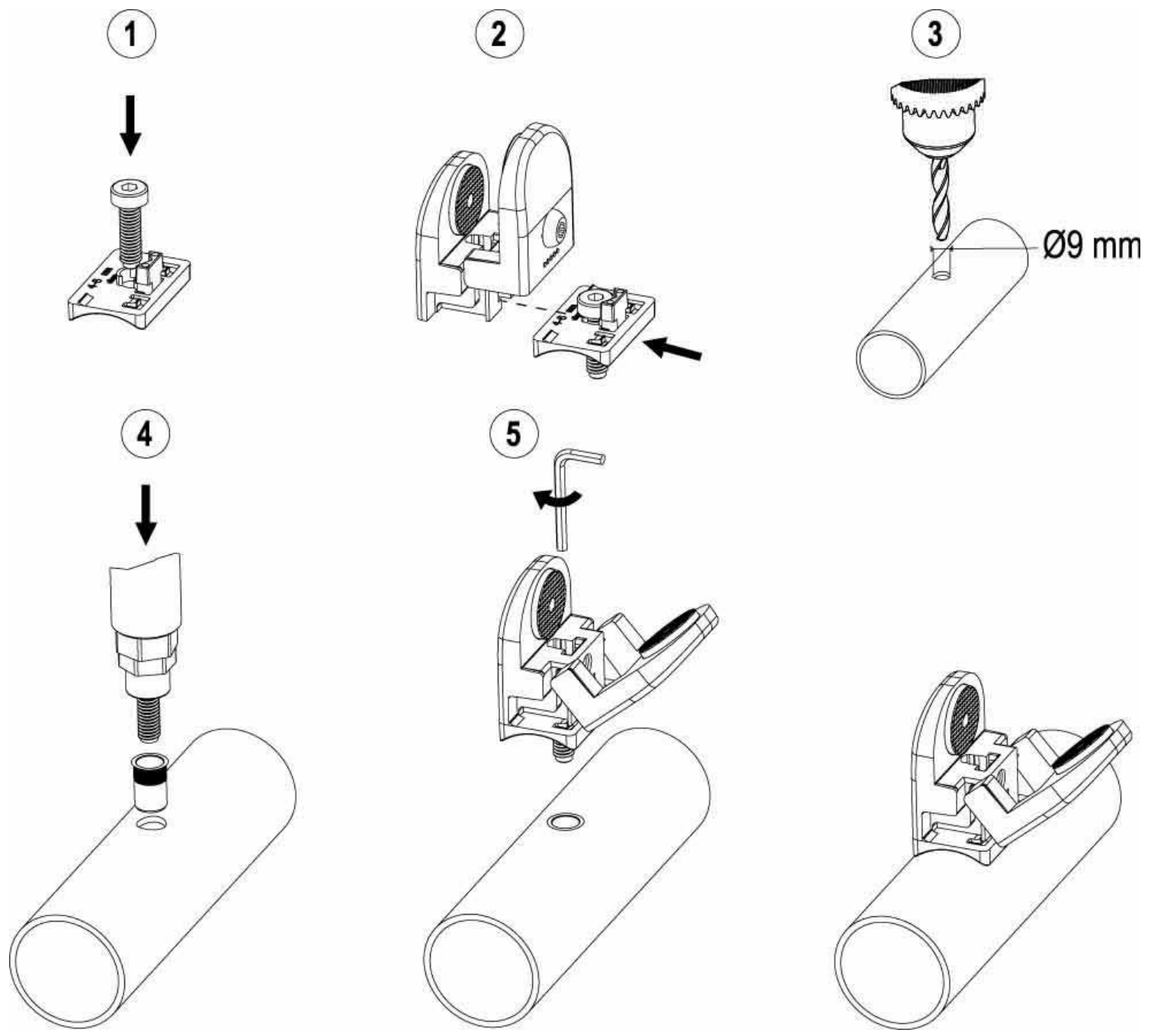
Kit for installation of PC support clamp on round tubes (thickness max. = 2 mm). The kit includes a technopolymer adapter, a M6 zinc-plated steel threaded insert to install with a normal riveter on the tube and a M6 cylindrical head screw. The adapters give the best aesthetic result for panels of thickness between 4 and 6 mm and tubes with diameters as follows:

- 30÷34 mm
- 40÷43 mm
- 48÷52 mm.

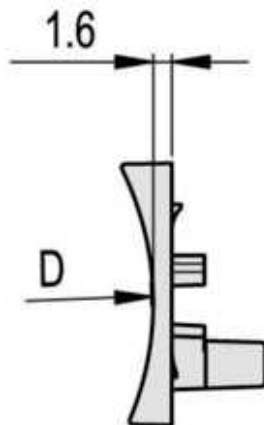
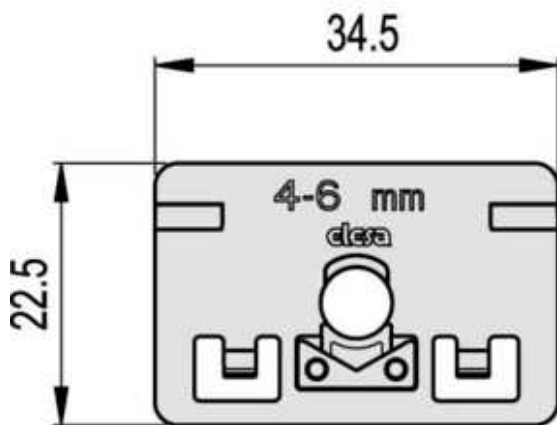
Assembly instructions

Assembly instructions

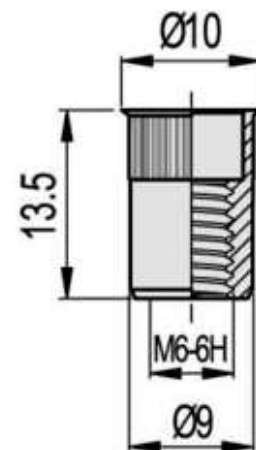
- Insert the M6 shorted cylindrical head screw with DIN 7984 hexagon socket into the plastic adapter.
- Insert the adapter into the slot of PC until the catch bracket clicks into position.
- Drill a hole in the tube of 9 mm.
- Fit the threaded insert on the tube with a riveter.
- Install the support clamp on the tube by tightening the screw into the threaded insert.



Adapter



Threaded insert



APC

Code	Description	D	For tubes Ø	Weight
49291	APC.30-34	34	30 ÷ 34	5
49293	APC.40-43	43	40 ÷ 43	5
49295	APC.48-52	52	48 ÷ 52	5