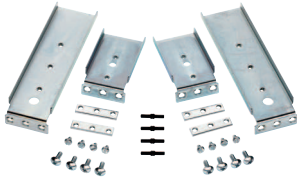


# Brackets

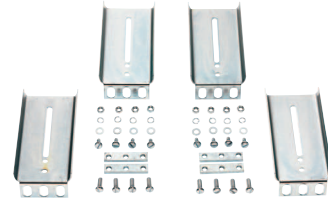
## Équerres Winkel



DZ63374-4  
(2907)



DZ63460-4  
(0201, 0204, 0301, 0305)



DZ63480-4  
(3301, 3307, 3308)



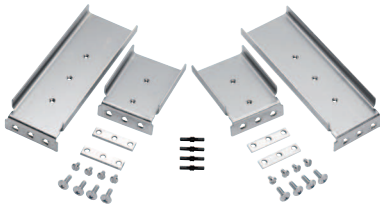
DZ63450-4  
(0201, 0204, 0301, 0305)



DZ65490-4  
(3607, 5321, 5321SC)



DZ63470-4  
(0305\*)



DZ63485-4  
(3507)

| 63xxx     | mm                        |       |       |                    |       |      |                  |      |      |      |      |       | kg   |
|-----------|---------------------------|-------|-------|--------------------|-------|------|------------------|------|------|------|------|-------|------|
|           |                           | A (F) | A (R) | B (4)              | B (3) | C    | D                | E    | G    | H    | J    | K     |      |
| DZ63450-4 | 0201, 0204,<br>0301, 0305 | 69.9  | 266.7 | 57.2               | -     | 15.0 | 6.35             | 12.7 | -    | 76.2 | 82.6 | 165.1 | 0.46 |
| DZ63460-4 | 0201, 0204,<br>0301, 0305 | 69.9  | 266.7 | -                  | 43.7  | 15.0 | 6.5              | 15.9 | -    | 76.2 | 82.6 | 165.1 | 0.44 |
| DZ63470-4 | 0305*                     | 76.5  | 274.6 | 69.9(F)<br>64.0(R) | -     | 19.8 | 5.5(F)<br>7.4(R) | 15.9 | 48.0 | 76.2 | 82.6 | 165.1 |      |
| DZ63480-4 | 3301, 3307,<br>3308       | 114.6 | 114.6 | -                  | 44.5  | 18.3 | 7.4              | 15.2 | 66.0 | -    | -    | -     | 0.41 |
| DZ65490-4 | 3607, 5321,<br>5321SC     | 140.0 | 140.0 | 60.0               | -     | 14.0 | 5.5              | 15.9 | 96.0 | -    | -    | -     | 0.75 |
| DZ63374-4 | 2907                      | 77.2  | 153.4 | -                  | 44.2  | 17.5 | -                | 15.9 | -    | -    | -    | -     | 0.38 |
| DZ63485-4 | 3507                      | 77.6  | 153.8 | -                  | 55.7  | 17.8 | 5.3              | 15.9 | -    | -    | -    | -     | 0.60 |

\* Recessed

(F) Front

(R) Rear

(4) 4 hole

(3) 3 hole

\* Montage en retrait

(F) Avant

(R) Arrière

(4) 4 trous

(3) 3 trous

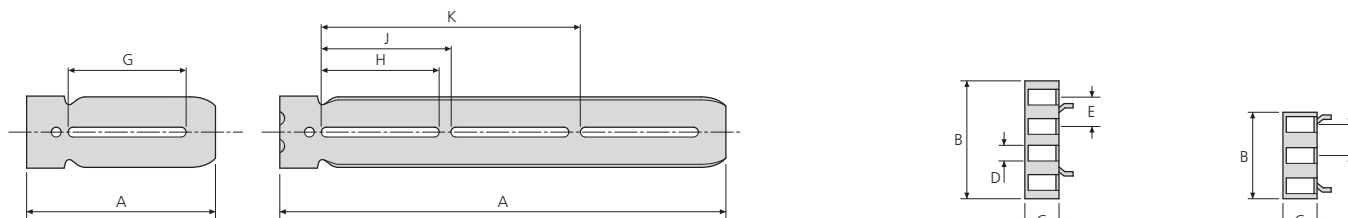
\* Versetzt Montiert

(F) Vorne

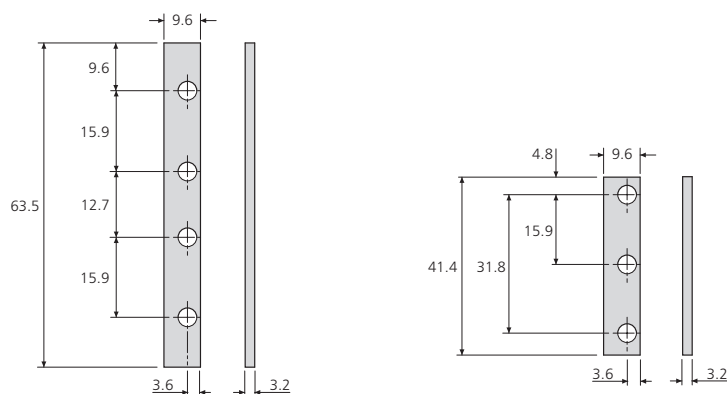
(R) Hinten

(4) 4-Loch

(3) 3-Loch



## Bar nuts Barre taraudée Leistenmuttern



### Notes:

- Each kit comprises 4 brackets, 4 bar nuts, 8 screw kits for brackets, 8 fillister head screws. Customer supplies captive nuts.

### Notes:

- Chaque kit comprend 4 équerres de fixation, 4 barres taraudées, 8 boulons de fixation, 8 vis de fixation à tête cylindrique fendue. Les écrous cages ne sont pas fournis.

### Hinweise:

- Jeder Satz enthält 4 Winkel, 4 Leistenmuttern, 8 Schrauben für Winkel, 8 Linsenkopfschrauben. Käfig-Muttern im Lieferumfang nicht enthalten.