

Machine feet with central fastening hole

SPECIFICATION

Types (Foot plate)

- Type **A**: without rubber underlay
- Type **B**: with rubber underlay
- Type **C**: with O-ring

Foot plate

Steel, plastic coated
black, RAL 9005, textured finish

Threaded studs / Hexagon nut ISO 8675
Steel, zinc plated, blue passivated

Rubber underlay, inlaid
black, Perbunan® (NBR)
85±5 Shore A

O-ring, inlaid
black, Perbunan® (NBR)
≈ 70 Shore A

INFORMATION

Machine feet GN 37 are characterized by their solid construction and large variety. They are used especially on large and heavy systems and machines. The through-hole allows the machine feet to be attached centrally to the ground, making them ideal for compressive and tensile loads.

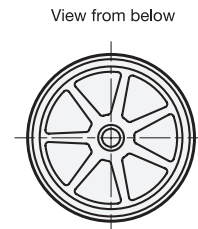
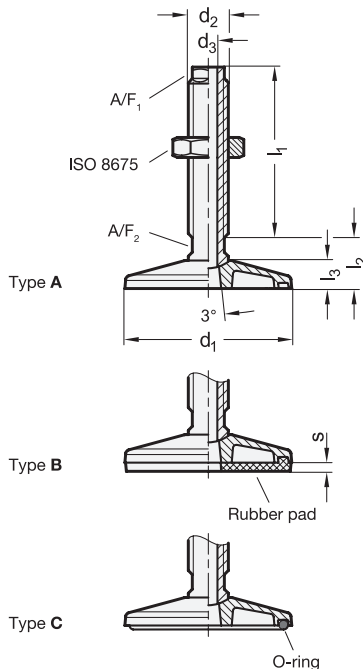
Foot plates and threaded studs are not connected together, during setup they are automatically centered by the radius at the contact point.

Type B with rubber underlay prevents slipping to the side, protects delicate surfaces and dampens vibrations and tremors. Type C with O-ring provides a seal over the ground to prevent the build-up of dirt under the foot. When used in conjunction with a collection pan, lubricants for example cannot escape to reach the underlying surface.

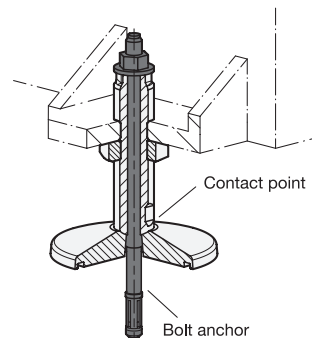


TECHNICAL INFORMATION

- Elastomer characteristics (see page A32)
- ISO-Fundamental Tolerances (see page A21)



Application example





GN 37-A

Description	d1	d2	l1	d3 H13	l2 ≈	l3	A/F 1	A/F 2	Static load F in kN	⚖️
GN 37-80-M20x1.5-60-A	80	M 20 x 1.5	60	9	27.5	15	16	16	40	405
GN 37-100-M24x2-70-A	100	M 24 x 2	70	11	30	17.5	19	19	50	664
GN 37-125-M30x2-90-A	125	M 30 x 2	90	13.5	38	21	24	24	80	1288
GN 37-160-M36x2-110-A	160	M 36 x 2	110	17.5	45	27	30	30	120	2456
GN 37-200-M42x2-125-A	200	M 42 x 2	125	22	55	33	36	36	150	4375

GN 37-B

Description	d1	d2	l1	d3 H13	l2 ≈	l3	s	A/F 1	A/F 2	Static load F in kN	⚖️
GN 37-80-M20x1.5-60-B	80	M 20 x 1.5	60	9	27.5	15	3	16	16	20	425
GN 37-100-M24x2-70-B	100	M 24 x 2	70	11	30	17.5	4	19	19	30	708
GN 37-125-M30x2-90-B	125	M 30 x 2	90	13.5	38	21	5	24	24	50	1370
GN 37-160-M36x2-110-B	160	M 36 x 2	110	17.5	45	27	6	30	30	70	2620
GN 37-200-M42x2-125-B	200	M 42 x 2	125	22	55	33	8	36	36	110	4701

GN 37-C

Description	d1	d2	l1	d3 H13	l2 ≈	l3	A/F 1	A/F 2	Static load F in kN	⚖️
GN 37-80-M20x1.5-60-C	80	M 20 x 1.5	60	9	27.5	15	16	16	40	408
GN 37-100-M24x2-70-C	100	M 24 x 2	70	11	30	17.5	19	19	50	671
GN 37-125-M30x2-90-C	125	M 30 x 2	90	13.5	38	21	24	24	80	1298
GN 37-160-M36x2-110-C	160	M 36 x 2	110	17.5	45	27	30	30	120	2477
GN 37-200-M42x2-125-C	200	M 42 x 2	125	22	55	33	36	36	150	4402

Foot plates

with central fastening hole

SPECIFICATION

Types

- Type **A**: without rubber underlay
- Type **B**: with rubber underlay
- Type **C**: with O-ring

Steel
plastic coated
black, RAL 9005, textured finish

Rubber underlay, inlaid
black, Perbunan® (NBR)
85±5 Shore A

O-ring, inlaid
black, Perbunan® (NBR)
≈ 70 Shore A

INFORMATION

Foot plates GN 37.1 are characterized by their solid construction and large variety. They are used especially on large and heavy systems and machines. The through-hole allows the machine feet to be attached centrally to the ground, making them ideal for compressive and tensile loads.

The foot plates are ideal for use with customized adjustment or compensation stems that have the spherically shaped absorption radius "r" at the contact point. DIN screws or threaded studs with chamfer or pointed nose used as an alternative reduce the load capacity due to the lack of full-surface contact.

Type B with rubber underlay prevents slipping to the side, protects delicate surfaces and dampens vibrations and tremors. Type C with O-ring provides a seal over the ground to prevent the build-up of dirt under the foot.

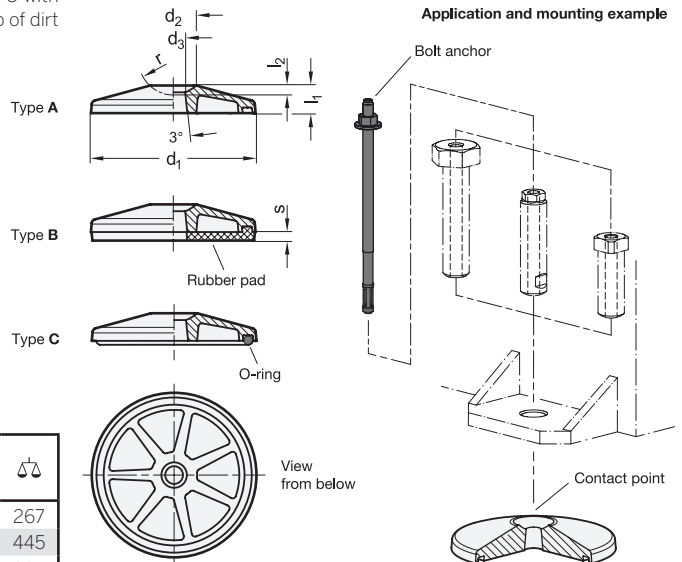


TECHNICAL INFORMATION

- Elastomer characteristics (see page A32)

ON REQUEST

- Zinc plated, blue passivated surface
- Surface available in other colors (plastic coating)
- other geometries at the contact point



GN 37.1-A

Description	d1	r	d2	d3	l1 ≈	l2	Static load F in kN	⚖️
GN 37.1-80-R20-A	80	R20	25.5	11	15	4.6	80	267
GN 37.1-100-R20-A	100	R20	25.5	13	17.5	4.6	80	445
GN 37.1-125-R25-A	125	R25	32	16	21	5.8	130	835
GN 37.1-160-R30-A	160	R30	38.5	20.5	27	7	180	1704
GN 37.1-200-R35-A	200	R35	45	25.5	33	7.9	230	3255

GN 37.1-B

Description	d1	r	d2	d3	l1 ≈	l2	s	Static load F in kN	⚖️
GN 37.1-80-R20-B	80	R20	25.5	11	15	4.6	3	20	287
GN 37.1-100-R20-B	100	R20	25.5	13	17.5	4.6	4	30	489
GN 37.1-125-R25-B	125	R25	32	16	21	5.8	5	50	917
GN 37.1-160-R30-B	160	R30	38.5	20.5	27	7	6	70	1868
GN 37.1-200-R35-B	200	R35	45	25.5	33	7.9	8	110	3581

GN 37.1-C

Description	d1	r	d2	d3	l1 ≈	l2	Static load F in kN	⚖️
GN 37.1-80-R20-C	80	R20	25.5	11	15	4.6	80	270
GN 37.1-100-R20-C	100	R20	25.5	13	17.5	4.6	80	452
GN 37.1-125-R25-C	125	R25	32	16	21	5.8	130	845
GN 37.1-160-R30-C	160	R30	38.5	20.5	27	7	180	1725
GN 37.1-200-R35-C	200	R35	45	25.5	33	7.9	230	3282