

ELS3 Electric Height Adjustment for sit-to-stand workplaces



Electric Lifting Column ELS3-650

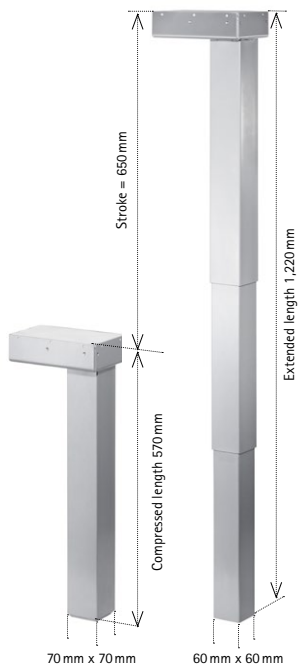
With the Electrical Lifting Column ELS3 from SUSPA you can easily change your working position from sit to stand. Some of the main features of the ELS3 square version are elegant design, anti-rotation and a long adjustment range.

- ELS square BTU (large tube dia. at the top)
- ELS square BTD (large tube dia. at the bottom)

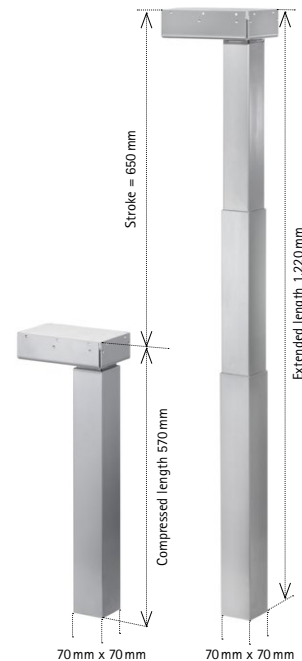
Specification

Features	Value ranges
Material / Colour	Steel profile / RAL 9006 grey, RAL 9003 white, RAL 9004 black
Design	2-stage telescopic
Compressed length	570 mm
Adjustment range (stroke)	650 mm
Extended length	1,220 mm
Adjustment speed	36-38 mm/sec.
Maximum load	50 kg per leg / 60 kg* per leg
Dimensions of motor casing / top	202 x 120 x 56 mm

*60 kg only with the controller COMPACT



ELS3-650 BTU



ELS3-650 BTD

2-leg system BTU with two lifting columns and electric accessories

Product description	Part number
2 x lifting column ELS3 BTU, square	004 10161
1 x control box for 2-leg system	(50 kg / leg) 198 10034 (SMART) (60 kg / leg) 198 10008 (COMPACT)
1 x power cable EU	098 10035 (SMART)
1 x power cable EU, shielded	098 10011 (COMPACT)
1 x hand switch Up-Down HSM-OD-2-LD	098 10010
1 x hand switch Memory HSU-MDF-4M2-LD	098 10006

2-leg system BTD with two lifting columns and electric accessories

Product description	Part number
2 x lifting column ELS3 BTD, square	004 10162
1 x control box for 2-leg system	(50 kg / leg) 198 10035 (SMART) (60 kg / leg) 198 10009 (COMPACT)
1 x power cable EU	098 10035 (SMART)
1 x power cable EU, shielded	098 10011 (COMPACT)
1 x hand switch Up-Down HSM-OD-2-LD	098 10010
1 x hand switch Memory HSU-MDF-4M2-LD	098 10006

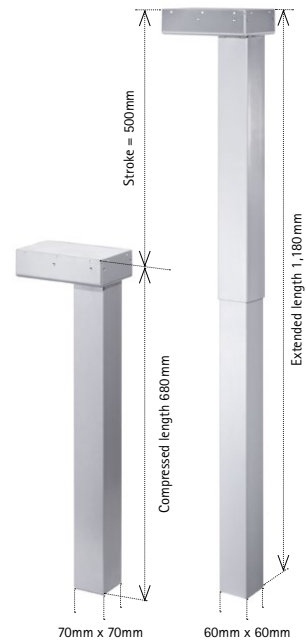
Further specifications, for example 3-4-leg systems for conference tables, on inquiry.

Electric Lifting Column ELS3-500S

Apart from the double-stage-telescoping ELS3 version SUSPA also offers a single-stage-telescoping variant. With an adjustment range of 500 mm, it provides a large adjustment range but less complexity. This variant is available with the large tube dia. at the top, only (BTU).

Specification

Features	Value ranges
Material / Colour	Steel profile / RAL 9006 grey, RAL 9003 white, RAL 9004 black
Design	Single-telescopic
Compressed length	680 mm
Adjustment range (stroke)	500 mm
Extended length	1,180 mm
Adjustment speed	32-35 mm/sec.
Maximum load	60 kg per leg
Dimensions of motor casing / top	202 x 120 x 56 mm



ELS3-500S BTU

2-leg system BTU with two lifting columns and electric accessories

Product description	Part number
2 x lifting column ELS3 BTU, square	004 10203
1 x control box for 2-leg system (60 kg / leg)	198 10088 (SMART)
1 x power cable EU	098 10035 (SMART)
1 x hand switch Up-Down HSM-OD-2-LD	098 10010
1 x hand switch Memory HSU-MDF-4M2-LD	098 10006

Further specifications, for example 3-4-leg systems for conference tables, on inquiry.

Electrically adjustable table base frame ELS3

The striking feature of the SUSPA table frame is its solid design which provides high stability without needing any disturbing cross beam. It is suitable for a wide range of applications and easy to assemble. The frame was specifically designed for our ELS3 range of adjustable legs and can be used both with our ELS3-650 or ELS3-500S columns. Since the horizontal beam is adjustable the table frame can be used for table tops with a length of 1,200 mm to 1,800 mm.

Specification

Features	Value ranges
Material / Colour	Steel profile / RAL 9006 grey,
Length of frame	Adjustable from 1,190 - 1,790 mm
For length of table top	1,200 - 1,800 mm
For depth of the table top	700 - 800 mm
Adjustment range (stroke) until top of frame	ELS3-650: 620 - 1,270 mm ELS3-500S: 730 - 1,230 mm
Maximum load table frame	100 kg
Adjustment speed	36-38 mm/sec. (ELS3-650) 32-35 mm/sec. (ELS3-500S)
Lifting column ELS3 square	Dimensions see above

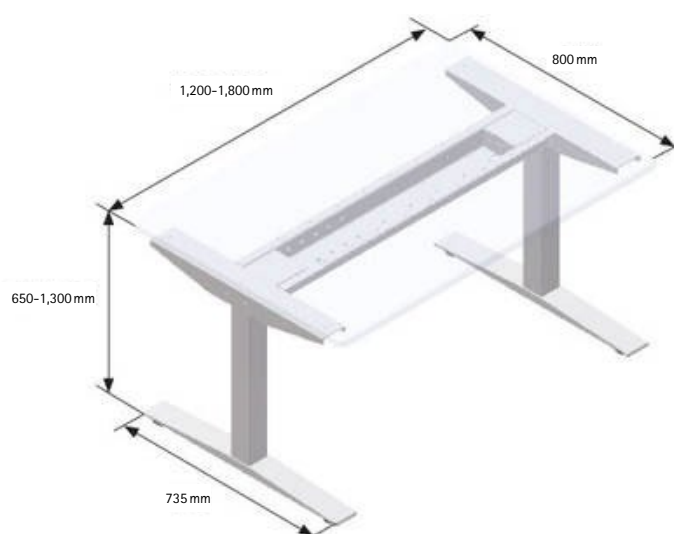


Table base frame

Product description	Part number
1 x table base frame for 2-leg system ELS3, square (BTU/BTD): <ul style="list-style-type: none"> • 2 x Longitudinal table top connection • 2 x Transverse web insert for lifting column • 2 x Foot section for lifting columns • Screws and adjustable feet 	004 10165

The table base frame can be ordered with ELS3-650 or ELS3-500S.

Accessories for electric height adjustment

SUSPA COMPACT controller with high efficient power supply technology

- low standby power consumption: $\leq 0,3$ W
- Soft-Start and Soft-Stop
- overload protection
- small size and flat design
- weight: 418 g / 523 (3-leg-controller)
- dimensions: 264 x 103 x 37 mm
- input voltage: 230V/50Hz
- output voltage: 288 VA (2-leg) 24VDC / 360VA (3-leg) 24V DC
- operating time: 10% at maximum load (1 min/9 min)
- controls for EU- and US-voltage available
- external sensor collision detector possible with LOGIC-CONNECTOR



COMPACT controller

SUSPA SMART controller with high efficient power supply technology

- low standby power consumption: $\leq 0,3$ W
- Soft-Start and Soft-Stop
- overload protection
- small size and flat design
- weight 305g
- dimensions: 186 x 100 x 30 mm
- input voltage: 230V/50 Hz
- output voltage: 216VA (2-leg) 24VDC
- operating time: 10% at maximum load (1 min/9 min)
- controls for EU- and US-voltage available



SMART controller

Switches

Hand switch Up-Down HSM-OD-2-LD:
Part number 098 10010



Hand switch Memory HSU-MDF-4M2-LD,
with 4 memory positions:
Part number 098 10006



Further hand switches
on inquiry

EU Cable, shielded (for COMPACT):
Part number 098 10011

EU Cable (for SMART):
Part number 098 10035 (without picture)



S Electric Height Adjustment

Over the last few years, SUSPA has become established as one of the leading suppliers of electric height adjustment systems. The topic of ergonomics at the workplace has increasingly gained importance in German companies as well in recent years. Since more and more people are experiencing back problems due to a lack of movement, it is not only the personal well being that is affected, but there is also enormous economic damage done through absences from work. The best way of countering the lack of movement in the office is to use sit-stand desks. The electric lifting columns from SUSPA allow the working position to be changed effortlessly from sitting to standing and vice versa.



SUSPA GmbH

Industriestr. 12-14
90518 Altdorf
Germany

Phone +49 9187 930 355
Fax +49 9187 930 311

E-Mail infoindustry@de.suspa.com
Internet www.suspa.com

With more than 1,600 employees worldwide SUSPA manufactures gas springs, dampers, adjustment systems, as well as crash and safety systems for many sectors; from furniture through to automobile industry.



www.suspa.com