

POP Nut[®]

Threaded Insert Systems



Edition 05 2013

emhart.eu

EMHART[®]
TEKNOLOGIES

Expertise in Fastening Solutions

With over 100 years experience in the design and manufacture of assembly technology, Emhart has the expertise to provide fastening solutions to a wide range of industries from Automotive, Construction, and Electronics through to sheet metal assembly and general industry.

We offer consulting, technical advice, a wide range of volume parts and high quality setting equipment to meet the varying needs of our customers.



Emhart in Europe

Emhart has experienced technical experts and application engineers available throughout Europe ready to support customers with application and assembly processes and fastener specifications.

We service our European customers directly through our manufacturing and warehousing facilities around Europe or through our network of highly experienced distributors.



- Emhart Facilities and Distribution Network
- Distribution Network

POP Nut[®]

Threaded Insert Systems

www.emhart.eu

Introduction	6
Materials	8
Finishes	9
Geometry	10
Design Solutions	11
Joint Design	12
Torque Strength	13
Product Index	14
POPNut [®] Aluminium	16
POPNut [®] Steel	19
POPNut [®] Stainless Steel	27
POPNut [®] Setting Tools	32
Power Tools	34
POP [®] Counter System	37
Hand Tools	38
WellNut [®]	39
Jack Nut [®]	42
Glossary & Technical Advice	45





POPNut®

POPNut® Threaded Inserts can be installed into sheet-metal, tubing, extrusions, plastics and other materials to provide an internal thread for subsequent component assembly.

POPNut® is the perfect solution for providing high quality, load bearing threads even in single thin sheets down to 0.5mm. POPNut® can be used in a variety of materials where alternative methods cannot maintain torque and pull out loads. They enable components which are assembled later in the production cycle to be adjusted and are ideally suited to applications where access is only available from one side of the workpiece.



WellNut®

WellNut® is ideal for isolating against vibration, electrical conductivity and galvanic corrosion and for sealing against ambient moisture & gases.

Available in Neoprene as standard or EPDM, which is ideal for applications in the outdoor environment, WellNut® can be simply installed from one side of the application when the mating screw is tightened.



Jack Nut®

Jack Nut® is designed to be installed in soft or brittle materials such as plastic, cardboard or glass.

Available in steel as standard or brass, Jack Nut® has 4 “legs” which expand behind the parent material providing excellent pull out resistance.

It provides a screw thread for subsequent component assembly and can be installed into tubular materials where only one side of the application is accessible.

Manufactured to the highest industry standards, POPNut® WellNut® and Jack Nut® are RoHS, ELoV & WEEE compliant.

The POPNut® installation sequence is simple.

1. Push the POPNut® on the tool mandrel and it automatically spins on.
2. Place the POPNut® in the hole in the parent material.
3. Pull the trigger on the tool. The POPNut® collapses and forms a flange on the back side of the parent material. The tool automatically reverses and unthreads from the POPNut®.
4. Attach the mating part with a bolt and tighten.



Materials

The POPNut® Range is available in Aluminium, Steel and Stainless Steel.



Aluminium

Aluminium Alloy, self colour finish.
Used when low weight and higher corrosion resistance is required.



Steel

Low Carbon Steel, zinc plated with CRVI free passivation.
Used for general purpose applications with higher temperature resistance.

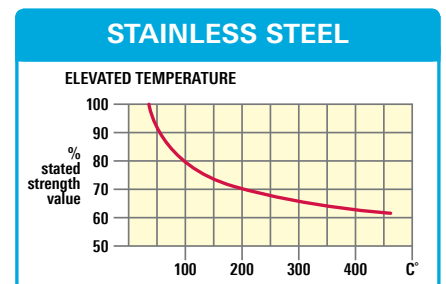
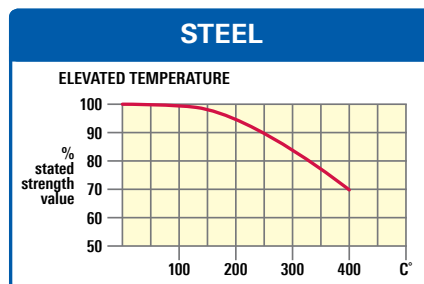
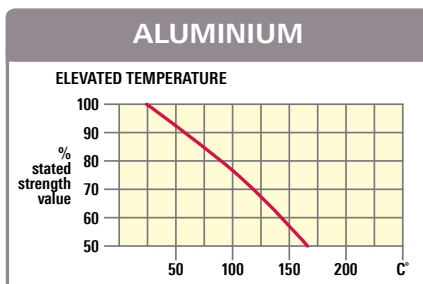


Stainless Steel

302, 304 and 316 Stainless Steel, self colour finish.
Suitable for applications requiring corrosion resistance.

Strength performance with elevated temperature

This is important to consider when the joint will be exposed to elevated temperatures.
The graphs below are for reference only; specific evaluation should be given for each case.



Finishes

Steel POPNuts® are supplied with Zinc and Clear passivation as standard and are RoHS, EoIV and WEEE compliant.

There are a wide variety of other finishes also available for aesthetic and environmental needs including:- Xylan, Anodisation & Zinc Nickel.



Galvanic Corrosion

Galvanic corrosion can occur where two dissimilar metals are in contact in the presence of an electrolyte.

Where metals cannot be exactly matched, a coating such as zinc will help to minimise the area of contact.

The following table is a general guide to the possible effect of corrosion on the POPNut® body when in contact with various component materials.

Metal Contact Chart

POPNU T® MATERIAL	CONTACT METAL					
	NC	SS	Cu	CS	AL & A	Zn
Stainless Steel (SS)	None	None	None	None	None	None
Carbon Steel (CS)	High Acceleration	High Acceleration	High Acceleration	None	Slight Corrosion	None
Aluminium and Alloys (Al & A)	High Acceleration	Acceleration of Corrosion	Acceleration of Corrosion	Acceleration of Corrosion	None	None
Neoprene*	None	None	None	None	None	None

Key: None Slight Corrosion Acceleration of Corrosion High Acceleration Not Recommended

* WellNut only

Geometry

POPNut® Threaded Insert Geometry

The POPNut® Threaded Insert range has been designed to provide the perfect solution for your application requirements.

The geometry concerning Body Type and Head Style is explained below:

Body Type



Round

Used for general purpose applications.



Round, Linear Grooves

Provides improved resistance to turning in round holes, especially in softer materials such as engineering plastics.



Hexagonal

Used in conjunction with a hexagon hole to give maximum resistance to applied torque or unscrewing torque.

All of the above Body Types can be supplied Open or Closed End



Open End

Most popular style. The body of an Open End POPNut® has optimum length with minimum blind side protrusion. The bolt length is not critical provided that the bolt engages all of the POPNut® threads.



Closed End

Used to prevent ingress of moisture past the securing bolt. For pressure tight applications a seal beneath the flange may be required.

Head Style



Flat

Most popular head style. Provides a good bearing area for application surface and for bolted-on parts.



Countersunk

Used for flush head setting, requires a countersink in the application. Recommend flush or slight head projection above the surface of the application for maximum face contact and clamp.



Reduced

Used for near flush setting as an alternative to countersinking. Not recommended for holes with wide tolerances or with soft ductile material.

Special POPNut® – Design Solutions

We support the application needs of our customers by designing and manufacturing Special POPNut® Threaded Inserts*.

Here are some examples:

Pipe POPNut®



- Available in Steel, M6 Thread size
- Suitable for setting into curved applications
- Creates a horizontal surface for subsequent component assembly

Slotted POPNut®



- Available in Steel, M6 Thread size
- Soft Setting POPNut®
- Ideal for plastic and thin sheet applications
- 4 “legs” expand when fastening

Square POPNut®



- Available in Steel, M8 Thread size
- Designed to aid line-side identification vs. Hex
- Excellent torque resistance

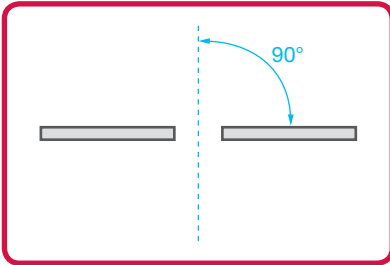
Large Flange Hexagonal POPNut®



- Available in Steel, M8 Thread size
- Large flange diameter 21mm
- Provides extra support to thin sheet applications
- Cover uneven holes

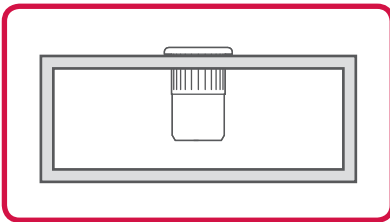
*Special POPNut® Design Solutions are subject to minimum order quantities.

POP Nut® Joint Design



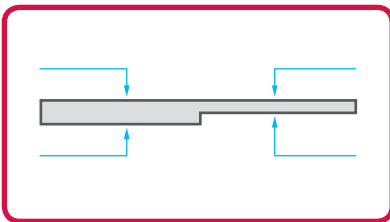
Making the hole

The hole for the POP Nut® must be square to the parent material. Holes drilled or punched at an angle can cause premature tool mandrel wear.



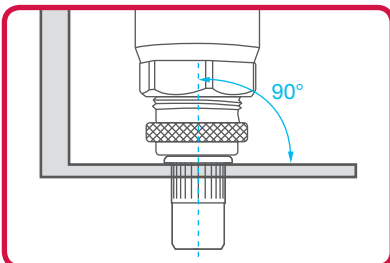
Backside clearance

Ensure sufficient clearance on the blind side when using POP Nut® in tube sections, extrusions and other closed applications.



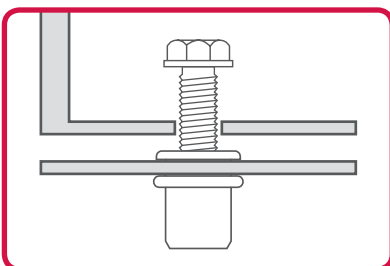
Grip range

The parent material thickness must be within the recommended grip range of the POP Nut®.



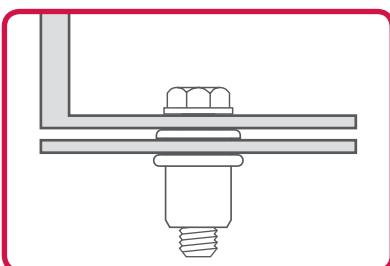
Tool access

The POP Nut® tool must have perpendicular access to the parent material. If the tool is held at an angle it can cause premature mandrel wear.



Mating part fit

The hole in the mating part should be smaller than the POP Nut® head to insure contact with the POP Nut®.



The POP Nut® joint

The ideal POP Nut® joint is one where the mating part is non-rotational and contacts the head of the POP Nut®.

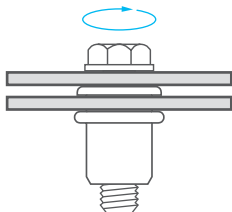
Strength Test Methods for POPNut®

Ultimate Torque

Test conditions

- Base material: Steel, 1.2mm thickness
- Affixing plate: SK3 (HRC40 or above)
- Bolt: Hex bolt or cap screw (10.9 or greater)
- Washer: Stainless steel, small round type

Apply torque to the bolt using a torque wrench and measure the maximum torque at which the threading of the POPNut® or the bolt fails.

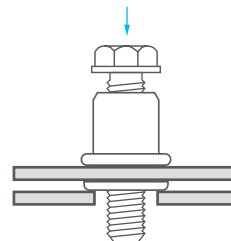


Thread Shear

Test conditions

- Base material: Steel, 1.2mm thickness
- Bolt: Hex bolt or cap screw (10.9 or greater)
- Jig hole diameter (A): Nominal thread size + 1 mm

Apply compressive load to the bolt using a tensile tester and measure the maximum load at which the threads or backside flange part of the POPNut® fails.



Technical Data

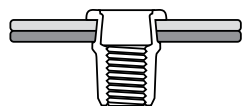
Thread	Grip	ALUMINIUM		STEEL		STAINLESS STEEL	
		Ultimate Torque Nm	Thread Shear N	Ultimate Torque Nm	Thread Shear N	Ultimate Torque Nm	Thread Shear N
M3	1.2mm		3800	3.8	>5000		
M4	1.2mm	6.9	5200	8.3	>8000		9000
M5	1.2mm	9.5	6300	16.0	11000	16.0	>16000
M6	1.2mm	22.7	10000	24.5	21000	24.0	21000
M8	1.2mm		15000	73.0	30000	71.0	32000
M10	1.2mm		22000	121.0	39000		40000
M12	1.2mm			123+	50000		

Test conditions: 1.2mm thickness, steel sheet material and appropriate stroke adjustment. The mentioned data are average reference values only and are based on the flat head, open end, product lines. We recommend a specific test in the proper material thickness and specific application.

POPNut® Application Types

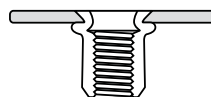
POPNut® Threaded Inserts are a versatile solution for providing load bearing threads in many application types:

Join Materials and Provide a Load Bearing Thread



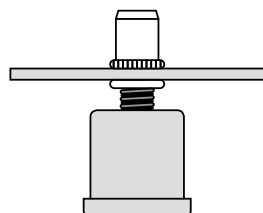
A simple and effective way to join materials with the benefit of an internal thread.

Provide a Load Bearing Thread in Single and Thin Sheet Materials



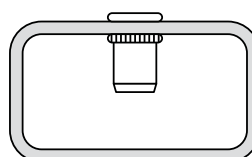
The perfect solution for providing load bearing threads in single sheets down to 0.5mm.

For Component Adjustment



Enables components, which are assembled later in the production process, to be adjusted.

Into Tubes or Enclosed Applications




Ideally suited to applications where access is only available from one side of the workpiece.


Product Index

Aluminium

Open End


		Round	
	Flat Head	PAFO	16
	Countersunk Head	PAKO	17
	Reduced Head	PARO	18

Closed End

		Round	
	Flat Head	PAFC	16
	Countersunk Head	PAKC	17

Stainless Steel

Open End

		Round		Semi-Hexagonal
	Flat Head	PTFO	27	PTFOM 29
		PWFO	30	
Countersunk Head	PTKO	28		
	PWKO	31		
Reduced Head	PTRO	28	PTROM 29	

Closed End

		Round	
	Flat Head	PVFC	27

For additional details on product features - please refer to the glossary on page 45.

Steel

Open End



	Round	Linear Knurls	Hexagonal
Flat Head	PSZF0 20	PSZFON 19	PSZFOH 24
Countersunk Head	PSZK0 22	PSZKON 21	
Reduced Head	PSZRO 23 PSZROX 24	PSZRON 23	PSZROH 25 PSZROM* 26

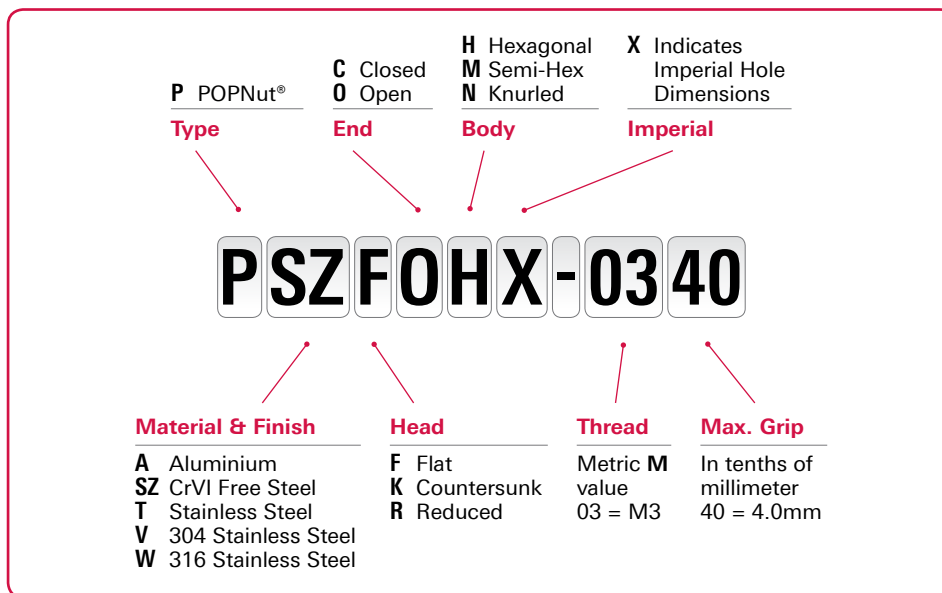
* Semi-Hexagonal

Closed End



	Round	Linear Knurls	Hexagonal
Flat Head	PSZFC 20	PSZFCN 19	PSZFCH 25
Countersunk Head	PSZKC 22	PSZKCN 21	
Reduced Head			PSZRCH 26

POP Nut® Coding Guide



PAFO



HEAD TYPE SECTION
Flat Head Open End Round

M	l	g	DESCRIPTION	d _h	d _k	k	d	BULK PACK		SMALL PACK		KG /1,000
								ARTICLE	BOX QTY	ARTICLE	BOX QTY	
mm												
M4	11.0	1.5 - 2.5	PAFO-0425	6.1	9.3	0.8	6.0	32943	10,000	32859	500	0.5
	12.0	2.5 - 3.5	PAFO-0435					32944	10,000	32860	500	0.6
M5	11.8	1.5 - 2.5	PAFO-0525	7.1	10.3	1.0	7.0	32946	10,000	32862	500	0.7
	12.8	2.5 - 3.5	PAFO-0535					32947	10,000	32863	500	0.8
M6	13.8	1.0 - 2.5	PAFO-0625	9.1	12.3	1.5	9.0	32948	5,000	32864	500	1.2
	15.3	2.5 - 4.0	PAFO-0640					32949	3,000	32865	500	1.6
M8	15.3	1.0 - 2.5	PAFO-0825	11.1	14.3	1.5	11.0	33009	2,500	32866	250	1.5
	16.9	2.5 - 4.0	PAFO-0840					32951	2,000	32867	250	2.3
M10	15.8	1.0 - 2.5	PAFO-1025	13.1	16.3	1.5	13.0	32952	2,000	32868	200	2.2
	17.3	2.5 - 4.0	PAFO-1040					32953	2,000	32869	200	2.5

PAFC



HEAD TYPE SECTION
Flat Head Closed End Round

M	l	g	DESCRIPTION	d _h	d _k	k	d	BULK PACK		SMALL PACK		KG /1,000
								ARTICLE	BOX QTY	ARTICLE	BOX QTY	
mm												
M3	13.3	0.5 - 2.0	PAFC-0320*	5.1	8.0	0.8	5.0	33171	7,500	00702	500	0.5
M4	14.8	0.5 - 3.0	PAFC-0430	6.1	10.0	0.8	6.0	04825	5,000	98001	500	0.7
	16.3	3.0 - 4.5	PAFC-0445*					33173	4,000	98003	500	0.7
M5	18.0	0.5 - 3.0	PAFC-0530	7.1	11.0	1.0	7.0	33174	2,500	98005	500	1.1
	20.5	3.0 - 5.5	PAFC-0555*					33175	2,500	98007	500	1.2
M6	21.5	0.5 - 3.0	PAFC-0630	9.1	13.0	1.5	9.0	09678	1,500	98009	500	2.3
	24.5	3.0 - 5.5	PAFC-0655*					48477	1,250	98011	500	2.5
M8	22.5	0.5 - 3.0	PAFC-0830	11.1	16.0	1.5	11.0	48478	750	98013	250	3.5
	25.5	3.0 - 5.5	PAFC-0855*					48479	750	98015	250	3.9

* Minimum order quantities apply

M=Thread Size; l=Nominal Body Length; g=Grip Range (Min - Max); d_h=Hole Size; d_k=Nominal Head Diameter; k=Nominal Head Thickness; d=Nominal Barrel Diameter



PAKO

HEAD: Countersunk Head
TYPE: Open End
SECTION: Round

M	l	g	DESCRIPTION	d _h	d _k	k	d	BULK PACK		SMALL PACK		KG /1,000
								ARTICLE	BOX QTY	ARTICLE	BOX QTY	
mm												
M3	11.3	1.7 - 3.5	PAKO-0335*	5.1	8.0	1.5	5.0	00263	10,000	97979	500	0.4
M4	11.5 13.0	1.7 - 3.5 3.5 - 5.0	PAKO-0435 PAKO-0450*	6.1	9.0	1.5	6.0	47981	7,500	97981	500	0.5
								47982	5,000	97983	500	0.5
M5	13.0 16.0	1.7 - 4.0 4.0 - 6.5	PAKO-0540 PAKO-0565*	7.1	10.0	1.5	7.0	47983	5,000	97985	500	0.7
								47984	4,000	97987	500	0.8
M6	17.0 19.0	1.7 - 4.5 4.5 - 6.5	PAKO-0645 PAKO-0665*	9.1	12.0	1.6	9.0	47985	2,000	97989	500	1.6
								47986	2,000	97991	500	1.6
M8	19.0 21.0	1.7 - 4.5 4.5 - 6.5	PAKO-0845 PAKO-0865*	11.1	14.0	1.5	11.0	47987	1,250	97993	250	2.1
								33188	1,250	97995	250	2.2
M10	21.0 23.0	1.7 - 4.5 4.5 - 6.5	PAKO-1045* PAKO-1065*	12.5	15.4	1.5	12.4	33189	1,000	97997	250	2.5
								33190	1,000	97999	250	2.7

* Minimum order quantities apply



PAKC

HEAD: Countersunk Head
TYPE: Closed End
SECTION: Round

M	l	g	DESCRIPTION	d _h	d _k	k	d	BULK PACK		SMALL PACK		KG /1,000
								ARTICLE	BOX QTY	ARTICLE	BOX QTY	
mm												
M4	15.5 17.0	1.7 - 3.5 3.5 - 5.0	PAKC-0435* PAKC-0450*	6.1	9.0	1.5	6.0	01425	5,000	98017	500	0.7
								33191	5,000	98019	500	0.7
M5	18.0 20.5	1.7 - 4.0 4.0 - 6.5	PAKC-0540* PAKC-0565*	7.1	10.0	1.5	7.0	00892	3,000	98021	500	1.0
								33193	3,000	98023	500	1.1
M6	22.0 24.0	1.7 - 4.5 4.5 - 6.5	PAKC-0645* PAKC-0665*	9.1	12.0	1.5	9.0	33194	1,500	98025	500	2.1
								33195	1,500	98027	500	2.3
M8	25.0 28.0	1.7 - 4.5 4.5 - 6.5	PAKC-0845* PAKC-0865*	11.1	14.0	1.5	11.0	33196	1,000	98029	250	3.3
								33197	750	98031	250	3.7

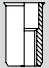
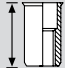
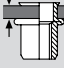
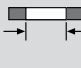
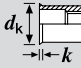
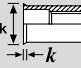
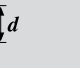

* Minimum order quantities apply

M=Thread Size; l=Nominal Body Length; g=Grip Range (Min - Max); d_h=Hole Size; d_k=Nominal Head Diameter; k=Nominal Head Thickness; d=Nominal Barrel Diameter

PARO



HEAD: Reduced Head TYPE: Open End SECTION: Round

 <i>M</i>	 <i>l</i>	 <i>g</i>	DESCRIPTION	 <i>d_h</i>	 <i>d_k</i>	 <i>k</i>	 <i>d</i>	BULK PACK		SMALL PACK		 /1,000
								ARTICLE	BOX QTY	ARTICLE	BOX QTY	
											kg	
M4	11.3	1.5 - 2.5	PARO-0425	6.1	7.1	0.6	6.0	32955	10,000	32871	500	0.5
	12.3	2.5 - 3.5	PARO-0435					32956	10,000	32872	500	0.5
M5	11.8	1.5 - 2.5	PARO-0525	7.1	8.1	0.6	7.0	32958	10,000	32874	500	0.5
M6	13.8	1.0 - 2.5	PARO-0625	9.1	10.1	0.6	9.0	32960	10,000	32876	500	1.2
M8	15.3	1.0 - 2.5	PARO-0825	11.1	12.1	0.6	11.0	32962	2,000	32878	250	1.8

M=Thread Size; *l*=Nominal Body Length; *g*=Grip Range (Min - Max); *d_h*=Hole Size; *d_k*=Nominal Head Diameter; *k*=Nominal Head Thickness; *d*=Nominal Barrel Diameter



PSZFON

HEAD: Flat Head TYPE: Open End SECTION: Round SURFACE: Linear Knurls

M	l	g	DESCRIPTION	d _h	d _k	k	d	BULK PACK		SMALL PACK		KG /1,000
								ARTICLE	BOX QTY	ARTICLE	BOX QTY	
mm												
M3	10.0	0.5 - 3.0	PSZFON-0330	5.0	6.8	0.8	4.9	33218	10,000	33217	500	0.9
M4	10.3	0.3 - 3.0	PSZFON-0430	6.0	8.8	1.0	5.9	33220	10,000	33219	500	1.3
	11.8	3.0 - 4.0	PSZFON-0440					33222	10,000	33221	500	1.4
M5	12.3	0.3 - 3.0	PSZFON-0530	7.0	9.8	1.0	6.9	33224	8,000	33223	500	1.8
	15.3	3.0 - 4.0	PSZFON-0540					33485	5,000	33484	500	2.2
M6	14.8	0.5 - 3.0	PSZFON-0630	9.0	11.8	1.5	8.9	33213	4,000	33225	500	4.0
	16.3	3.0 - 4.5	PSZFON-0645					33228	4,000	33227	500	4.0
M8	16.3	0.5 - 3.0	PSZFON-0830	11.0	14.8	1.5	10.9	33230	2,000	33229	250	5.7
	18.8	3.0 - 5.5	PSZFON-0855					33232	2,000	33231	250	6.3
M10	17.3	0.5 - 3.0	PSZFON-1030	12.0	15.8	2.0	11.9	33234	1,500	33233	250	7.0
	22.3	3.0 - 6.0	PSZFON-1060					33236	1,500	33235	250	7.6
M12	23.3	1.0 - 4.0	PSZFON-1240	16.0	21.8	2.0	15.9	33238	800	33237	200	16.8



PSZFCN

HEAD: Flat Head TYPE: Closed End SECTION: Round SURFACE: Linear Knurls

M	l	g	DESCRIPTION	d _h	d _k	k	d	BULK PACK		SMALL PACK		KG /1,000
								ARTICLE	BOX QTY	ARTICLE	BOX QTY	
mm												
M4	15.3	0.3 - 3.0	PSZFCN-0430	6.0	8.8	1.0	5.9	33312	5,000	33311	500	2.1
M5	17.8	0.3 - 3.0	PSZFCN-0530	7.0	9.8	1.0	6.9	32917	5,000	33055	500	2.9
M6	20.3	0.5 - 3.0	PSZFCN-0630	9.0	11.8	1.5	8.9	32918	2,000	32835	500	5.8
M8	24.8	0.5 - 3.0	PSZFCN-0830	11.0	14.8	1.5	10.9	32919	1,500	32836	250	9.8

M=Thread Size; l=Nominal Body Length; g=Grip Range (Min - Max); d_h=Hole Size; d_k=Nominal Head Diameter; k=Nominal Head Thickness; d=Nominal Barrel Diameter

PSZFO



HEAD TYPE SECTION
Flat Head Open End Round

M	l	g	DESCRIPTION	d _h	d _k	k	d	BULK PACK		SMALL PACK		KG /1,000
								ARTICLE	BOX QTY	ARTICLE	BOX QTY	
mm												
M3	9.8	0.5 - 2.0	PSZFO-0320*	5.1	8.0	0.8	5.0	00362	10,000	32625	500	1.0
	10.8	2.0 - 3.0	PSZFO-0330*					33244	10,000	33243	500	1.1
M4	10.8	0.5 - 3.0	PSZFO-0430	6.1	10.0	0.8	6.0	04846	5,000	08414	500	1.5
	12.3	3.0 - 4.5	PSZFO-0445					33246	5,000	33245	500	1.5
M5	12.0	0.5 - 3.0	PSZFO-0530	7.1	11.0	1.0	7.0	32626	4,000	08525	500	2.1
	15.0	3.0 - 5.5	PSZFO-0555					33248	3,000	33247	500	2.5
M6	14.5	0.5 - 3.0	PSZFO-0630	9.1	13.0	1.5	9.0	33249	2,000	08526	500	4.3
	16.5	3.0 - 5.5	PSZFO-0655					33250	2,000	08524	500	4.7
	19.0	5.5 - 8.0	PSZFO-0680					33252	1,500	98877	500	5.0
M8	16.0	0.5 - 3.0	PSZFO-0830	11.1	16.0	1.5	11.0	08964	1,250	08527	250	6.4
	18.5	3.0 - 5.5	PSZFO-0855					33253	1,200	08431	200	7.0
	21.5	5.5 - 8.0	PSZFO-0880					33255	1,000	33254	250	7.8
M10	19.8	0.8 - 3.5	PSZFO-1035	12.5	18.5	2.3	12.4	00262	750	09673	250	9.8
	22.8	3.5 - 6.0	PSZFO-1060					33259	750	33258	250	10.8
M12	25.0	1.0 - 4.0	PSZFO-1240	16.1	23.0	2.0	16.0	08685	400	33260	100	19.6
	28.0	4.0 - 7.0	PSZFO-1270					33262	300	33261	100	21.1

* Minimum order quantities apply

PSZFC



HEAD TYPE SECTION
Flat Head Closed End Round

M	l	g	DESCRIPTION	d _h	d _k	k	d	BULK PACK		SMALL PACK		KG /1,000
								ARTICLE	BOX QTY	ARTICLE	BOX QTY	
mm												
M4	14.8	0.5 - 3.0	PSZFC-0430	6.1	10.0	0.8	6.0	33264	5,000	33263	500	2.1
	16.3	3.0 - 4.5	PSZFC-0445*					33266	4,000	33265	500	2.1
M5	18.0	0.5 - 3.0	PSZFC-0530	7.1	11.0	1.0	7.0	33268	2,500	08528	500	3.4
	20.5	3.0 - 5.5	PSZFC-0555*					33270	2,500	33269	500	3.6
M6	21.5	0.5 - 3.0	PSZFC-0630	9.1	13.0	1.5	9.0	33271	1,500	08529	500	6.8
	24.5	3.0 - 5.5	PSZFC-0655					33273	1,250	33272	250	7.5
M8	22.5	0.5 - 3.0	PSZFC-0830	11.1	16.0	1.5	11.0	33274	1,000	09672	250	9.7
	25.5	3.0 - 5.5	PSZFC-0855					33276	750	33275	250	10.9

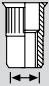
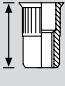
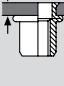
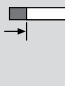
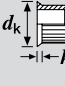
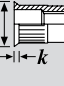
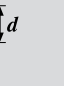

* Minimum order quantities apply

M=Thread Size; l=Nominal Body Length; g=Grip Range (Min - Max); d_h=Hole Size; d_k=Nominal Head Diameter; k=Nominal Head Thickness; d=Nominal Barrel Diameter



PSZKON

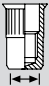
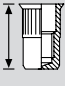
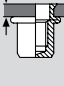

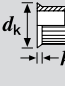
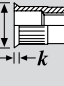
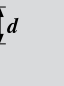

HEAD: Countersunk Head TYPE: Open End SECTION: Round SURFACE: Linear Knurls

 <i>M</i>	 <i>l</i>	 <i>g</i>	DESCRIPTION	 <i>d_h</i>	 <i>d_k</i>	 <i>k</i>	 <i>d</i>	BULK PACK		SMALL PACK		 /1,000 kg
								ARTICLE	BOX QTY	ARTICLE	BOX QTY	
mm	mm	mm		mm	mm	mm	mm					kg
M4	11.8	2.0 - 3.5	PSZKON-0435	6.0	8.5	1.6	5.9	32924	10,000	33314	500	1.4
M5	13.8	2.0 - 4.0	PSZKON-0540	7.0	9.5	1.6	6.9	32925	8,000	33315	500	1.9
M6	16.3	2.0 - 4.5	PSZKON-0645	9.0	11.5	1.6	8.9	33317	4,000	33316	500	3.6
M8	19.3	2.0 - 4.5	PSZKON-0845	11.0	13.5	1.6	10.9	33319	2,000	33318	250	5.9
M10	21.3	2.0 - 4.5	PSZKON-1045	12.0	14.5	1.6	11.9	33321	1,500	33320	250	6.1



PSZKCN

HEAD: Countersunk Head TYPE: Closed End SECTION: Round SURFACE: Linear Knurls

 <i>M</i>	 <i>l</i>	 <i>g</i>	DESCRIPTION	 <i>d_h</i>	 <i>d_k</i>	 <i>k</i>	 <i>d</i>	BULK PACK		SMALL PACK		 /1,000 kg
								ARTICLE	BOX QTY	ARTICLE	BOX QTY	
mm	mm	mm		mm	mm	mm	mm					kg
M4	17.3	2.0 - 3.5	PSZKCN-0435	6.0	8.5	1.6	5.9	33323	5,000	33322	500	2.3
M5	20.3	1.5 - 4.0	PSZKCN-0540	7.0	9.2	1.4	6.9	39996	5,000	39997	500	3.2
M6	23.3	2.0 - 4.0	PSZKCN-0645	9.0	11.5	1.6	8.9	33057	2,000	33058	500	6.0
M8	27.8	2.0 - 4.5	PSZKCN-0845	11.0	13.5	1.6	10.9	32931	1,500	32847	250	9.7

M=Thread Size; *l*=Nominal Body Length; *g*=Grip Range (Min - Max); *d_h*=Hole Size; *d_k*=Nominal Head Diameter; *k*=Nominal Head Thickness; *d*=Nominal Barrel Diameter

PSZKO



HEAD: Countersunk Head
TYPE: Open End
SECTION: Round

M	l	g	DESCRIPTION	d _h	d _k	k	d	BULK PACK		SMALL PACK		KG /1,000
								ARTICLE	BOX QTY	ARTICLE	BOX QTY	
mm												
M3	11.3	1.7 - 3.5	PSZKO-0335*	5.1	8.0	1.5	5.0	33278	10,000	33277	500	1.1
M4	11.5	1.7 - 3.5	PSZKO-0435	6.1	9.0	1.5	6.0	33279	7,500	08518	500	1.3
	13.0	3.5 - 5.0	PSZKO-0450*					33281	5,000	33280	500	1.5
M5	13.0	1.7 - 4.0	PSZKO-0540	7.1	10.0	1.5	7.0	33282	5,000	08797	500	2.0
	16.0	4.0 - 6.5	PSZKO-0565					33284	4,000	33283	500	2.3
M6	17.0	1.7 - 4.5	PSZKO-0645	9.1	12.0	1.5	9.0	33285	2,000	08808	500	4.2
	19.0	4.5 - 6.5	PSZKO-0665					33287	2,000	33286	500	4.7
M8	19.0	1.7 - 4.5	PSZKO-0845	11.1	14.0	1.5	11.0	33288	1,250	08991	250	6.3
	21.0	4.5 - 6.5	PSZKO-0865					33290	1,250	33289	250	7.0
M10	21.0	1.7 - 4.5	PSZKO-1045	12.5	15.4	1.5	12.4	00589	1,000	08965	250	7.6
	23.0	4.5 - 6.5	PSZKO-1055					33292	1,000	33291	250	8.2
M12	26.0	2.0 - 4.5	PSZKO-1245	16.1	19.0	1.8	16.0	33294	500	33293	100	16.9
	29.0	4.5 - 7.5	PSZKO-1275					33296	400	03958	100	18.0

* Minimum order quantities apply

PSZKC



HEAD: Countersunk Head
TYPE: Closed End
SECTION: Round

M	l	g	DESCRIPTION	d _h	d _k	k	d	BULK PACK		SMALL PACK		KG /1,000
								ARTICLE	BOX QTY	ARTICLE	BOX QTY	
mm												
M4	15.5	1.7 - 3.5	PSZKC-0435	6.1	9.0	1.5	6.0	33297	5,000	08511	500	2.0
	17.0	3.5 - 5.0	PSZKC-0450*					04837	5,000	97877	500	2.2
M5	18.0	1.7 - 4.0	PSZKC-0540	7.1	10.0	1.5	7.0	33301	3,000	33300	500	3.0
	20.5	4.0 - 6.5	PSZKC-0565*					33303	3,000	33302	500	3.4
M6	22.0	1.7 - 4.5	PSZKC-0645	9.1	12.0	1.5	9.0	33305	1,500	33304	500	6.1
	24.0	4.5 - 6.5	PSZKC-0665*					33306	1,500	08428	500	6.5
M8	25.0	1.7 - 4.5	PSZKC-0845	11.1	14.0	1.5	11.0	33308	1,000	33307	250	9.2
	28.0	4.5 - 6.5	PSZKC-0865*					33310	750	33309	250	10.1

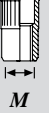
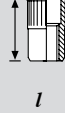
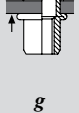
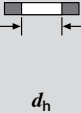
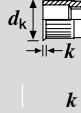
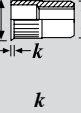
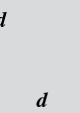

* Minimum order quantities apply

M=Thread Size; l=Nominal Body Length; g=Grip Range (Min - Max); d_h=Hole Size; d_k=Nominal Head Diameter; k=Nominal Head Thickness; d=Nominal Barrel Diameter



PSZRON

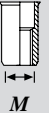
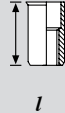

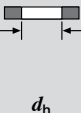
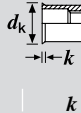
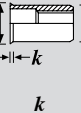
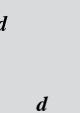

HEAD **Reduced Head** TYPE **Open End** SECTION **Round** SURFACE **Linear Knurls**

 <i>M</i>	 <i>l</i>	 <i>g</i>	DESCRIPTION	 <i>d_h</i>	 <i>d_k</i>	 <i>k</i>	 <i>d</i>	BULK PACK		SMALL PACK		 /1,000 kg
								ARTICLE	BOX QTY	ARTICLE	BOX QTY	
mm	mm	mm		mm	mm	mm	mm					kg
M3	9.8	0.5 - 2.5	PSZRON-03025	5.0	5.8	0.6	4.9	48491	10,000	48492	500	0.8
M4	10.3	0.5 - 3.0	PSZRON-0430	6.0	6.8	0.6	5.9	33036	10,000	33042	500	0.9
M5	11.8	0.5 - 3.0	PSZRON-0530	7.0	7.8	0.6	6.9	33049	10,000	33048	500	1.4
M6	14.3	0.5 - 3.0	PSZRON-0630	9.0	9.8	0.6	8.9	33047	4,000	33046	500	3.0
M8	15.8	0.5 - 3.0	PSZRON-0830	11.0	11.8	0.6	10.9	33240	2,000	33239	250	4.4
M10	19.8	0.8 - 3.5	PSZRON-1035	12.0	13.3	0.8	11.9	33242	2,000	33241	200	6.0



PSZRO

HEAD **Reduced Head** TYPE **Open End** SECTION **Round**

 <i>M</i>	 <i>l</i>	 <i>g</i>	DESCRIPTION	 <i>d_h</i>	 <i>d_k</i>	 <i>k</i>	 <i>d</i>	BULK PACK		SMALL PACK		 /1,000 kg
								ARTICLE	BOX QTY	ARTICLE	BOX QTY	
mm	mm	mm		mm	mm	mm	mm					kg
M4	10.8	0.5 - 3.0	PSZRO-0430	6.1	6.5	0.5	6.0	00363	10,000	08856	500	1.1
M5	12.0	0.5 - 3.0	PSZRO-0530	7.1	7.5	0.5	7.0	33380	5,000	09659	500	1.6
	15.0	3.0 - 5.5	PSZRO-0555					33382	4,000	33381	500	1.8
M6	14.5	0.5 - 3.0	PSZRO-0630	9.1	9.5	0.5	9.0	00364	3,000	08530	500	3.4
	16.5	3.0 - 5.5	PSZRO-0655					33385	2,500	33384	500	3.7
M8	16.0	0.5 - 3.0	PSZRO-0830	11.1	11.5	0.5	11.0	00366	2,000	08937	250	5.0
	18.5	3.0 - 5.5	PSZRO-0855					33387	1,500	33386	250	5.5
M10	19.5	0.8 - 3.5	PSZRO-1035	12.5	12.9	0.5	12.4	33389	1,250	33388	250	6.7

M=Thread Size; *l*=Nominal Body Length; *g*=Grip Range (Min - Max); *d_h*=Hole Size; *d_k*=Nominal Head Diameter; *k*=Nominal Head Thickness; *d*=Nominal Barrel Diameter

PSZROX



HEAD **Reduced Head** TYPE **Open End** SECTION **Round**

M	l	g	DESCRIPTION	d _h	d _k	k	d	BULK PACK		SMALL PACK		KG /1,000
								ARTICLE	BOX QTY	ARTICLE	BOX QTY	
mm												
M3	9.0	0.5 - 1.5	PSZROX-0315	4.8	5.3	0.5	4.7	33356	10,000	32853	500	0.6
M4	10.4	0.5 - 1.5	PSZROX-0415	6.4	7.0	0.6	6.3	33051	10,000	33052	500	1.2
M5	12.0	0.5 - 2.0	PSZROX-0520	7.2	7.8	0.6	7.2	33040	10,000	33045	500	1.5
M6	14.8	0.8 - 2.5	PSZROX-0625	9.6	10.5	0.9	9.5	33360	4,000	33214	500	3.4
M8	16.0	1.0 - 3.0	PSZROX-0830	10.6	11.5	0.8	10.5	33362	4,000	33215	250	4.1

PSZFOH



HEAD **Flat Head** TYPE **Open End** SECTION **Hexagonal**

M	l	g	DESCRIPTION	d _h	d _k	k	d	BULK PACK		SMALL PACK		KG /1,000
								ARTICLE	BOX QTY	ARTICLE	BOX QTY	
mm												
M4	11.5	0.5 - 3.0	PSZFOH-0430	6.1	9.3	1.0	6.0	32920	10,000	32837	500	1.6
M5	13.5	0.5 - 3.0	PSZFOH-0530	7.1	10.3	1.0	7.0	32592	5,000	32591	500	2.4
M6	15.5	0.5 - 3.0	PSZFOH-0630	9.1	12.3	1.5	9.0	32594	3,000	32593	500	4.8
M8	17.5	0.5 - 3.0	PSZFOH-0830	11.1	14.3	1.5	11.0	32596	2,000	32595	250	7.2
	19.0	3.0 - 5.5	PSZFOH-0855		33334			1,000	33333	250	7.5	
	22.0	5.5 - 8.0	PSZFOH-0880		33336			750	33335	250	8.1	
M10	22.0	1.0 - 4.0	PSZFOH-1040	13.1	16.3	2.0	13.0	32597	750	32598	250	12.0
	23.5	3.5 - 6.0	PSZFOH-1060		33340			500	33339	250	12.3	

M=Thread Size; l=Nominal Body Length; g=Grip Range (Min - Max); d_h=Hole Size; d_k=Nominal Head Diameter; k=Nominal Head Thickness; d=Nominal Barrel Diameter



PSZFCH

HEAD **Flat Head** TYPE **Closed End** SECTION **Hexagonal**

M	l	g	DESCRIPTION	d _h	d _k	k	d	BULK PACK		SMALL PACK		KG /1,000
								ARTICLE	BOX QTY	ARTICLE	BOX QTY	
mm												
M4	14.5	0.5 - 2.0	PSZFCH-0420*	6.1	9.0	1.0	6.0	33342	5,000	33341	500	2.2
M5	19.0	0.5 - 3.0	PSZFCH-0530	7.1	10.0	1.0	7.0	33343	2,500	06902	500	3.6
M6	21.5	0.5 - 3.0	PSZFCH-0630	9.1	13.0	1.5	9.0	33345	1,500	33344	500	7.4
	23.5	3.0 - 5.5	PSZFCH-0655*					33347	1,500	33346	500	7.6
M8	24.5	0.5 - 3.0	PSZFCH-0830	11.1	16.0	1.5	11.0	33488	750	33348	250	11.6
	27.0	3.0 - 5.5	PSZFCH-0855*					33351	700	33350	100	12.0
M10	31.0	0.8 - 3.5	PSZFCH-1035	13.1	19.0	2.0	13.0	33353	400	33352	100	19.0
	33.5	3.5 - 6.0	PSZFCH-1060*					33355	400	33354	100	19.4

* Minimum order quantities apply



PSZROH

HEAD **Reduced Head** TYPE **Open End** SECTION **Hexagonal**

M	l	g	DESCRIPTION	d _h	d _k	k	d	BULK PACK		SMALL PACK		KG /1,000
								ARTICLE	BOX QTY	ARTICLE	BOX QTY	
mm												
M4	12.3	0.5 - 3.0	PSZROH-0425	6.1	6.8	0.9	6.0	32599	10,000	32600	250	1.5
M5	13.8	0.5 - 2.5	PSZROH-0525	7.1	8.0	0.9	7.0	32602	5,000	32601	250	1.7
	16.5	3.0 - 5.5	PSZROH-0555		7.7	0.6	7.0	33364	4,000	33363	500	2.3
M6	15.8	0.5 - 2.5	PSZROH-0625	9.1	10.0	0.9	9.0	32604	3,000	32603	250	4.2
	18.5	3.0 - 5.5	PSZROH-0655		9.8	0.7	9.0	33367	2,000	06188	500	4.6
M8	17.8	0.5 - 3.0	PSZROH-0825	11.1	12.0	0.9	11.0	32605	2,000	32606	250	6.2
	20.5	3.0 - 5.5	PSZROH-0855		11.1	11.8	0.7	11.0	33369	1,250	33368	250
M10	21.8	0.5 - 4.0	PSZROH-1040	13.1	13.8	0.9	13.0	39986	1,000	on request		10.6

M=Thread Size; l=Nominal Body Length; g=Grip Range (Min - Max); d_h=Hole Size; d_k=Nominal Head Diameter; k=Nominal Head Thickness; d=Nominal Barrel Diameter

PSZRCH



HEAD
Reduced Head

TYPE
Closed End

SECTION
Hexagonal

M	l	g	DESCRIPTION	d _h	d _k	k	d	BULK PACK		SMALL PACK		KG /1,000
								ARTICLE	BOX QTY	ARTICLE	BOX QTY	
mm												
M4	15.5	0.5 - 2.0	PSZRCH-0420	6.1	6.6	0.6	6.0	33373	5,000	33372	500	2.0
M5	20.0	0.5 - 3.0	PSZRCH-0530	7.1	7.7	0.7	7.0	33375	3,000	33374	500	3.3
M6	22.0	0.5 - 3.0	PSZRCH-0630	9.1	9.8	0.7	9.0	00410	1,750	04838	250	6.6
M8	25.0	0.5 - 3.0	PSZRCH-0830	11.1	11.8	0.7	11.0	33379	1,000	33378	250	10.5

PSZROM



HEAD
Reduced Head

TYPE
Open End

SECTION
Semi-Hexagonal

M	l	g	DESCRIPTION	d _h	d _k	k	d	BULK PACK		SMALL PACK		KG /1,000
								ARTICLE	BOX QTY	ARTICLE	BOX QTY	
mm												
M4	11.3	1.5 - 2.5	PSZROM-0425	6.1	7.2	0.7	6.0	33059	10,000	33060	500	1.2
M5	12.3	1.5 - 2.5	PSZROM-0525	7.1	8.2	0.7	7.0	33044	8,000	33043	500	1.6
M6	14.3	1.0 - 2.5	PSZROM-0625	9.1	10.2	0.7	9.0	33037	4,000	33041	500	3.3
M8	15.8	1.0 - 2.5	PSZROM-0825	11.1	12.3	0.7	11.0	33396	2,000	33019	250	4.7
M10	18.3	1.0 - 2.5	PSZROM-1025	13.1	14.3	0.7	13.0	33024	1,500	33023	200	7.4
M12	24.3	1.0 - 4.0	PSZROM-1240	16.2	17.0	0.7	16.1	39987	800	on request		13.1

M=Thread Size; l=Nominal Body Length; g=Grip Range (Min - Max); d_h=Hole Size; d_k=Nominal Head Diameter; k=Nominal Head Thickness; d=Nominal Barrel Diameter



PTFO

HEAD: Flat Head
TYPE: Open End
SECTION: Round

M	l	g	DESCRIPTION	d _h	d _k	k	d	BULK PACK		SMALL PACK		KG /1,000
								ARTICLE	BOX QTY	ARTICLE	BOX QTY	
mm		mm		mm	mm	mm	mm					kg
M4	10.0	0.3 - 2.5	PTFO-0425	6.0	8.8	1.0	5.9	32964	10,000	32880	500	1.3
	11.5	2.5 - 4.0	PTFO-0440					32965	10,000	32881	500	1.4
M5	12.0	0.3 - 3.0	PTFO-0530	7.0	9.8	1.0	6.9	32966	8,000	32882	500	2.0
	13.5	3.0 - 4.0	PTFO-0540					32967	8,000	32883	500	2.0
M6	14.5	0.5 - 3.0	PTFO-0630	9.0	11.8	1.5	8.9	32968	4,000	32884	500	3.9
	16.0	3.0 - 4.5	PTFO-0645					32969	4,000	32885	500	4.2
M8	16.0	0.5 - 3.0	PTFO-0830	11.0	14.8	1.5	10.9	32970	2,000	32886	250	5.8
	18.5	3.0 - 5.5	PTFO-0855					32971	2,000	32823	250	6.3
M10	17.0	0.5 - 3.0	PTFO-1030	13.0	15.8	2.0	12.9	32972	1,500	32887	250	7.7
	20.0	3.0 - 5.5	PTFO-1055					32973	1,500	39908	250	8.4



PVFC

HEAD: Flat Head
TYPE: Closed End
SECTION: Round
AISI 304

M	l	g	DESCRIPTION	d _h	d _k	k	d	BULK PACK		SMALL PACK		KG /1,000
								ARTICLE	BOX QTY	ARTICLE	BOX QTY	
mm		mm		mm	mm	mm	mm					kg
M4	15.0	0.5 - 2.0	PVFC-0420	6.1	9.0	1.0	6.0	33210	5,000	05000	250	2.2
M5	17.5	0.5 - 3.0	PVFC-0530	7.1	10.0	1.0	7.0	33211	2,500	05191	250	3.0
M6	21.5	0.5 - 3.0	PVFC-0630	9.1	12.0	1.5	9.0	48589	1,500	98035	250	6.6
M8	23.5	0.5 - 3.0	PVFC-0830	11.1	15.0	1.5	11.0	05241	1,000	05185	250	9.9

M=Thread Size; l=Nominal Body Length; g=Grip Range (Min - Max); d_h=Hole Size; d_k=Nominal Head Diameter; k=Nominal Head Thickness; d=Nominal Barrel Diameter

PTKO



HEAD: Countersunk Head
TYPE: Open End
SECTION: Round

M	l	g	DESCRIPTION	d _h	d _k	k	d	BULK PACK		SMALL PACK		KG /1,000
								ARTICLE	BOX QTY	ARTICLE	BOX QTY	
mm												
M4	11.8	2.0 - 3.5	PTKO-0435	6.0	8.8	1.7	5.9	32979	10,000	32893	500	1.5
M5	13.8	2.0 - 4.0	PTKO-0540	7.0	9.8	1.7	6.9	32980	8,000	32894	500	2.0
M6	16.3	2.0 - 4.5	PTKO-0645	9.0	11.8	1.7	8.9	32981	4,000	32895	500	3.8
M8	19.3	2.0 - 4.5	PTKO-0845	11.0	13.8	1.7	10.9	32982	2,000	32896	250	6.3
M10	21.3	2.0 - 4.5	PTKO-1045	13.0	15.8	1.7	12.9	32983	1,500	32897	250	8.4

PTRO



HEAD: Reduced Head
TYPE: Open End
SECTION: Round

M	l	g	DESCRIPTION	d _h	d _k	k	d	BULK PACK		SMALL PACK		KG /1,000
								ARTICLE	BOX QTY	ARTICLE	BOX QTY	
mm												
M4	10.3	0.5 - 2.5	PTRO-0425	6.0	6.8	0.8	5.9	32628	10,000	32898	500	1.0
M5	11.8	0.5 - 3.0	PTRO-0530	7.0	7.8	0.8	6.9	32985	8,000	32899	500	1.5
M6	14.3	0.5 - 3.0	PTRO-0630	9.0	9.8	0.8	8.9	32986	4,000	32900	500	3.2
M8	15.8	0.5 - 3.0	PTRO-0830	11.0	11.8	0.8	10.9	32987	2,000	32901	250	4.6
M10	19.8	0.8 - 3.5	PTRO-1035	13.0	14.3	1.0	12.9	32988	1,500	32902	250	7.2

M=Thread Size; l=Nominal Body Length; g=Grip Range (Min - Max); d_h=Hole Size; d_k=Nominal Head Diameter; k=Nominal Head Thickness; d=Nominal Barrel Diameter



PTFOM

HEAD: Flat Head
TYPE: Open End
SECTION: Semi-Hexagonal

M	l	g	DESCRIPTION	d _h	d _k	k	d	BULK PACK		SMALL PACK		KG /1,000
								ARTICLE	BOX QTY	ARTICLE	BOX QTY	
mm												
M4	11.5	0.5 - 2.5	PTFOM-0425	6.1	9.3	1.0	6.0	32607	5,000	32608	500	1.7
M5	13.5	0.5 - 3.0	PTFOM-0530	7.1	10.3	1.0	7.0	32610	5,000	32609	500	1.8
M6	15.5	0.5 - 3.0	PTFOM-0630	9.1	12.3	1.5	9.0	32611	3,000	32612	500	4.2
M8	17.5	0.5 - 3.0	PTFOM-0830	11.1	14.5	1.5	11.0	32613	2,000	32614	500	6.5



PTROM

HEAD: Reduced Head
TYPE: Open End
SECTION: Semi-Hexagonal

M	l	g	DESCRIPTION	d _h	d _k	k	d	BULK PACK		SMALL PACK		KG /1,000
								ARTICLE	BOX QTY	ARTICLE	BOX QTY	
mm												
M4	12.3	0.5 - 2.5	PTROM-0425	6.1	6.8	0.8	6.0	32615	10,000	32616	250	1.2
M5	14.3	0.5 - 3.0	PTROM-0530	7.1	7.8	0.8	7.0	32618	5,000	32617	250	1.5
M6	16.3	0.5 - 3.0	PTROM-0630	9.1	9.8	0.8	9.0	32620	3,000	32619	250	3.3
	16.5	3.0 - 5.0	PVROM-0650*		9.5	0.5		33151	2,500	32629	250	3.6
	18.5	5.0 - 7.0	PVROM-0670*		9.5	0.5		33153	2,500	33152	250	3.9
M8	17.3	0.5 - 3.0	PTROM-0830	11.1	11.8	0.8	11.0	32622	2,000	32621	250	4.9
M10	20.8	1.0 - 4.0	PTROM-1040	13.1	14.2	1.0	13.0	32623	1,500	32624	250	6.1


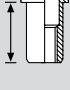
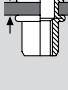
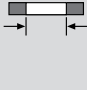
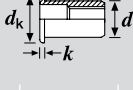
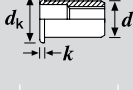
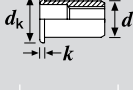

* Stainless Steel AISI 304

M=Thread Size; l=Nominal Body Length; g=Grip Range (Min - Max); d_h=Hole Size; d_k=Nominal Head Diameter; k=Nominal Head Thickness; d=Nominal Barrel Diameter

PWFO



HEAD: Flat Head
TYPE: Open End
SECTION: Round

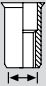
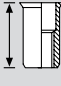
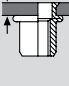
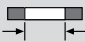


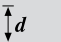

 <i>M</i>	 <i>l</i>	 <i>g</i>	DESCRIPTION	 <i>d_h</i>	 <i>d_k</i>	 <i>k</i>	 <i>d</i>	BULK PACK		SMALL PACK		 /1,000 kg
								ARTICLE	BOX QTY	ARTICLE	BOX QTY	
mm	mm	mm		mm	mm	mm	mm					kg
M5	12.3	0.5-3.0	PWFO-05030	7.0	10.0	1.0	6.9	69742	6,000	69743	500	1.90
M6	14.8	0.5-3.0	PWFO-06030	9.0	12.0	1.5	8.9	69744	3,500	69745	500	4.11
M8	16.3	0.5-3.0	PWFO-08030	11.0	15.0	1.5	10.9	69746	2,000	69747	250	5.98

M=Thread Size; *l*=Nominal Body Length; *g*=Grip Range (Min - Max); *d_h*=Hole Size; *d_k*=Nominal Head Diameter; *k*=Nominal Head Thickness; *d*=Nominal Barrel Diameter



PWKO

HEAD: **Countersunk** TYPE: **Open End** SECTION: **Round**

 <i>M</i>	 <i>l</i>	 <i>g</i>	DESCRIPTION	 <i>d_h</i>	 <i>d_k</i>	 <i>k</i>	 <i>d</i>	BULK PACK		SMALL PACK		 /1,000 kg
								ARTICLE	BOX QTY	ARTICLE	BOX QTY	
mm	mm	mm		mm	mm	mm	mm					kg
M5	13.8	1.5-4.0	PWKO-05040	7.0	9.5	1.4	6.9	69748	8,000	69749	500	1.98
M6	15.8	1.5-4.0	PWKO-06040	9.0	11.5	1.4	8.9	69750	4,000	69751	500	3.60
M8	18.8	1.5-4.0	PWKO-08040	11.0	13.5	1.4	10.9	69752	2,000	69753	250	6.26

M=Thread Size; *l*=Nominal Body Length; *g*=Grip Range (Min - Max); *d_h*=Hole Size; *d_k*=Nominal Head Diameter; *k*=Nominal Head Thickness; *d*=Nominal Barrel Diameter

POP Nut® Setting Tools

The POPNut® range of setting tools have been designed to offer the user the best features available in the market today. Durable, reliable and high quality, these tools can increase the efficiency of your assembly process.



Power Tools

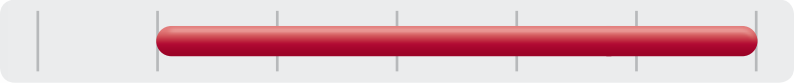


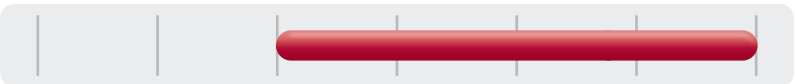

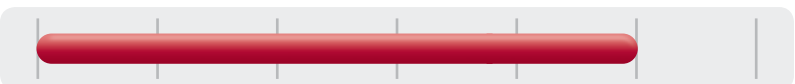
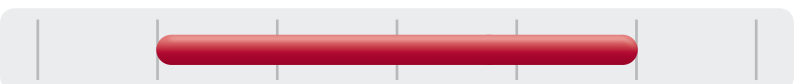

Choose from Pneumatic Control and Pneumatic-Hydraulic power tools which offer ergonomics for operator comfort and fast consistent cycle time for production efficiency. These power tools have many additional innovative features to improve the users experience and promote greater output.

Hand Tools

POPNut® hand tools are the choice of the professional. Reliable, robust and lightweight, the range includes hand plier and lever tools.

POPNut® Setting Tools

This quick guide can help you to select the right tool for your setting requirements.

		Capacity (Based on Steel POPNuts®)							Weight
		M3	M4	M5	M6	M8	M10	M12	
PNT110									0.8kg
PNT210									1.3kg
PNT310									2.4kg
PNT410									2.1kg
PNT800A									1.7kg
PNT800L-PC									1.8kg
PNT1000L-PC									2.8kg

POPNut® Power Tools

Pneumatic Control threaded insert tools



The POPNut® Pneumatic Control (PC) function selects the appropriate stroke required, allowing the operator to set the same insert in a range of application thicknesses without pausing to adjust stroke manually.

- Improves cycle time as optimum stroke is always delivered
- Achieves consistent setting every time in varying application conditions
- Eradicates complications caused by double stroking
- Fast cycle time for production efficiency
- Automatic mandrel spin on for fast insert loading
- Quick change mandrel and nosepiece for ease of service and set up

Ergonomic

- Lightweight, compact structure for operator comfort
- Single trigger pull for setting and reverse for operator ease
- Swivel air joint connector
- Supplied with suspension ring for use with counter balance

Compatibility

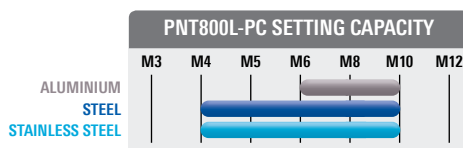
- Compatible with the POP® Counter System

Pneumatic Control threaded insert tools



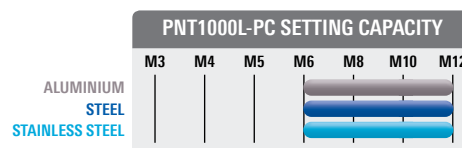
PNT800L-PC

Compact, lightweight Pneumatic Control insert tool, ideal for production line environments.



PNT1000L-PC

High capacity Pneumatic Control threaded insert tool.



Article: 42709

Weight: 1.81kg	Thread	Mandrel	Nosepiece
Length: 287mm	M4	42258	42578
Height: 268mm	M5	42259	42579
Tool Stroke: 1.3 - 6.5mm	M6	42260	42580
Working Air Pressure: 4.9 - 5.9 bar	M8	42575	42581
	M10	42576	42582

Supplied with M4 - M8 mandrels and nosepieces

Article: 42708

Weight: 2.77kg	Thread	Mandrel	Nosepiece
Length: 315mm	M6	42260	42254
Height: 295mm	M8	42575	42255
Tool Stroke: 1.3 - 10.5mm	M10	42250	42252
Working Air Pressure: 4.9 - 5.9 bar	M12	42251	42253

Supplied with M8 and M10 mandrels and nosepieces

POPNut® Power Tools

Pneumatic-Hydraulic threaded insert tool

Performance

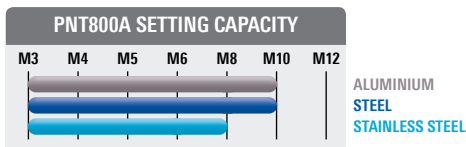
- Fast cycle time for production efficiency
- Automatic mandrel spin on for fast insert loading
- Quick change mandrel and nosepiece for ease of service and set-up
- Simple stroke adjustment gauge

Ergonomic

- Lightweight, compact structure for operator comfort
- Single trigger pull for setting and reverse for operator ease
- Swivel air joint connector
- Supplied with suspension ring for use with counter balance

Compatibility

- Compatible with the POP® Counter System



Article: **42825**

Weight: 1.68kg	Thread	Mandrel	Nosepiece
Length: 288mm	M3	42571	42577
Height: 263mm	M4	42258	42578
Tool Stroke: 1.3 - 6.5mm	M5	42259	42579
Working Air Pressure: 4.9 - 5.9 bar	M6	42260	42580
	M8	42575	42581
	M10	42576	42582

Supplied with M4 - M8 mandrels and nosepieces



PNT800A

Lightweight, spin-pull, pneumatic-hydraulic threaded insert tool

POP® Counter System

The POP® Counter System is a simple-to-use batch counter that helps an operator confirm the quantity of threaded inserts that have been set.

The system is designed for use with POPNut® threaded inserts and PNT Power Tools. Operation is fully automatic and requires minimal operator involvement.



Features

- Simple “key set” display
- Counts each tool trigger pull
- Batch complete indicator
- Automatic air cut-off at batch complete point
- Maximum batch quantity 999

Compatible with the full range of POPNut® threaded inserts and the following Power Tools:

PNT800A	M3 – M10 Inserts
PNT800L-PC	M4 – M10 Inserts
PNT1000L-PC	M6 – M12 Inserts

Ideal for

- High volume production line environments
- Applications requiring high volumes of threaded inserts
- Complex applications where the operator may lose count of number of threaded inserts set

Benefits

- Assists operator accuracy
- Supports the quality assurance of the assembly process
- Ensures the correct number of threaded inserts has been set

Configuration

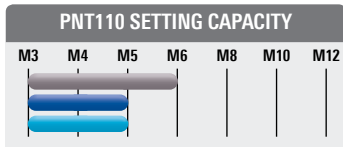
The POP® Counter System comes configured with the required tool and is ready for use.

POPNut® Hand Tools

The POPNut® range of professional hand tools are lightweight, robust and easy to use. POPNut® tools are ideal for light engineering work, maintenance and repair.

PNT110

Hand Plier Tool



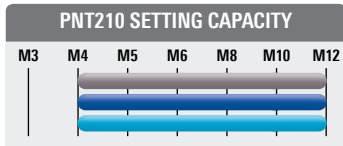
ALUMINIUM
STEEL
STAINLESS STEEL

Article: 43111
Weight: 0.8kg
Length: 240mm



PNT210

Ratchet Tool



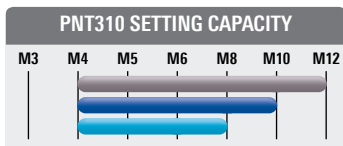
ALUMINIUM
STEEL
STAINLESS STEEL

Article: 43112
Weight: 1.3kg
Length: 210mm



PNT310

Spindle Lever Tool



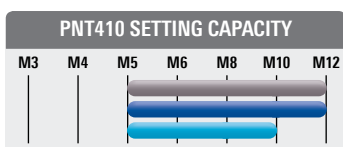
ALUMINIUM
STEEL
STAINLESS STEEL

Article: 43113
Weight: 2.4kg
Length: 555mm



PNT410

Lever Tool



ALUMINIUM
STEEL
STAINLESS STEEL

Article: 43114
Weight: 2.1kg
Length: 580mm



Vibration/Isolating Effect

WellNut® provides an excellent vibration-isolating effect to absorb vibration and noise.

Sealing Effect

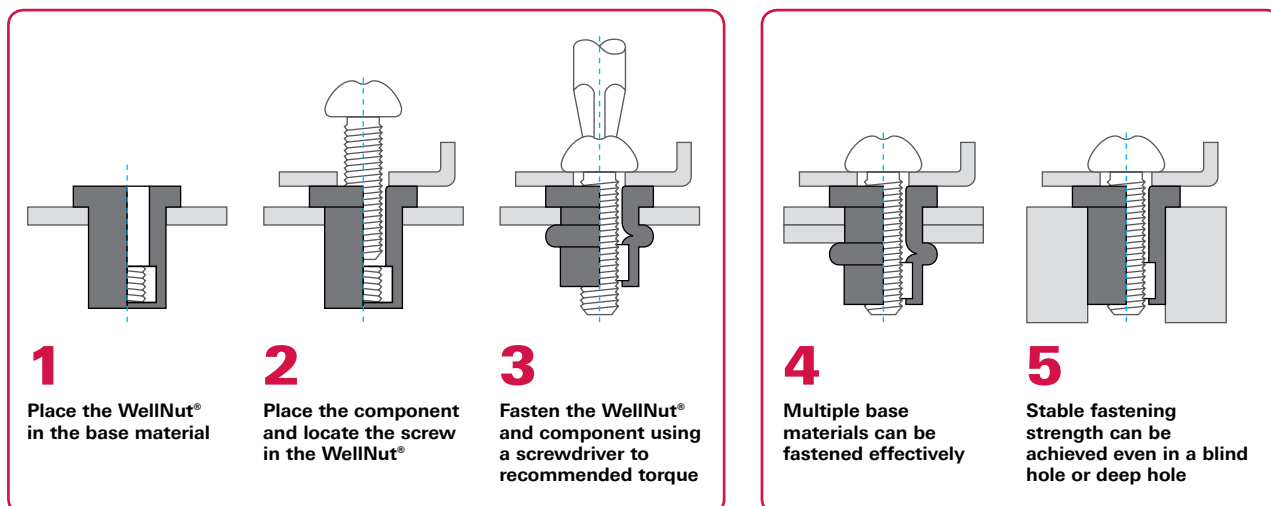
WellNuts® are able to seal liquids and gases. They are particularly suited for use in a low-pressure environment.

Insulating Effect

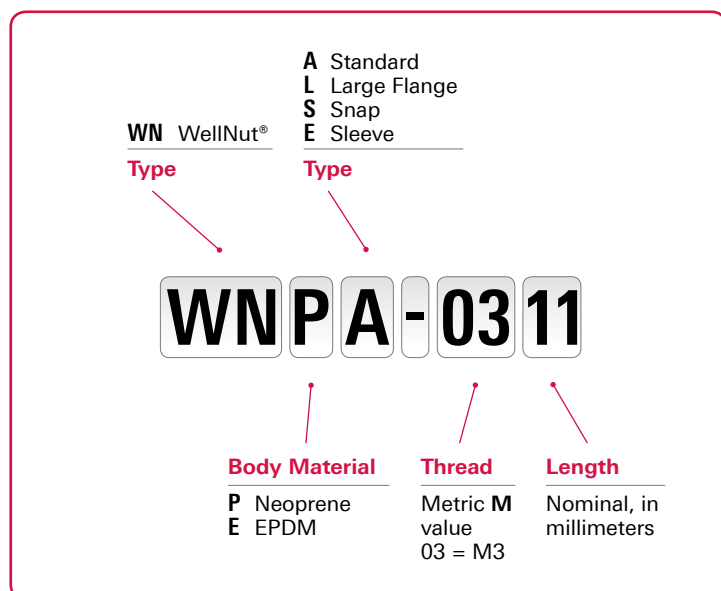
The WellNut® exhibits excellent electrical insulation properties. *WellNut® is available in a chloroprene-rubber as standard or EPDM. Chloroprene rubber offers stable strength and exhibits average levels of all beneficial properties. EPDM is particularly suitable in an outdoor environment where the nut must provide weather resistance, ozone resistance etc.*

Installation Method

WellNut® can be installed when the mating screw is tightened.



WellNut® Coding Guide




WellNut®



Standard Flange

- Ideal for general purpose use, where dampening of vibration and shock is required

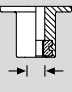
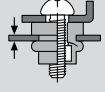

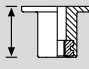
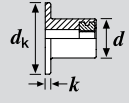

M	g	DESCRIPTION	d_h	l	d_k	k	d	tt	BULK PACK		SMALL PACK		 /1,000 kg
									ARTICLE	BOX QTY	ARTICLE	BOX QTY	
mm			mm	mm	mm	mm	mm	Nm					kg
M3	0.4 - 4.0	WNPA-0311-E632	8.0	12.6	11.0	1.2	7.9	0.4	63537	7,500	63538	100	
M4	0.4 - 4.0	WNPA-0411-B832	8.0	12.6	11.0	1.2	7.9	0.3	63539	7,800	63540	100	
M5	0.4 - 4.9	WNPA-0514-10S	9.7	14.1	12.7	0.9	9.6	0.4	63541	4,700	63542	100	
	0.9 - 5.9	WNPA-0516-Q1032	9.7	17.0	14.0	1.0	9.6	0.5	63543	3,800	63544	100	
	4.0 - 10.0	WNPA-0521-H1032	9.7	21.5	14.0	0.9	9.6	0.6	63545	3,000	63546	100	
	7.9 - 15.0	WNPA-0525-10SL	9.7	26.5	14.0	1.3	9.6	0.5	63547	2,200	63548	100	
M6	0.4 - 4.0	WNPA-0615-1/4S	12.8	16.0	16.0	1.3	12.7	0.8	63551	2,500	63552	100	
	4.7 - 8.7	WNPA-0619-W1420	12.8	20.3	16.0	1.3	12.7	0.8	63553	2,000	63554	100	
	6.4 - 11.5	WNPA-0625-J1420	12.8	26.7	16.3	2.0	12.7	0.9	63555	1,300	63556	100	
M8	0.4 - 4.0	WNPA-0815-E51618	16.0	18.3	21.5	3.2	15.9	1.2	63557	1,200	63558	100	

M =Thread Size; l =Nominal Body Length; g =Grip Range (Min - Max); d_h =Hole Size; d_k =Nominal Head Diameter; k =Nominal Head Thickness; d =Nominal Barrel Diameter; tt =Nominal Tightening Torque



Large Flange

- Large flange feature increases the bearing surface for weaker/thinner materials

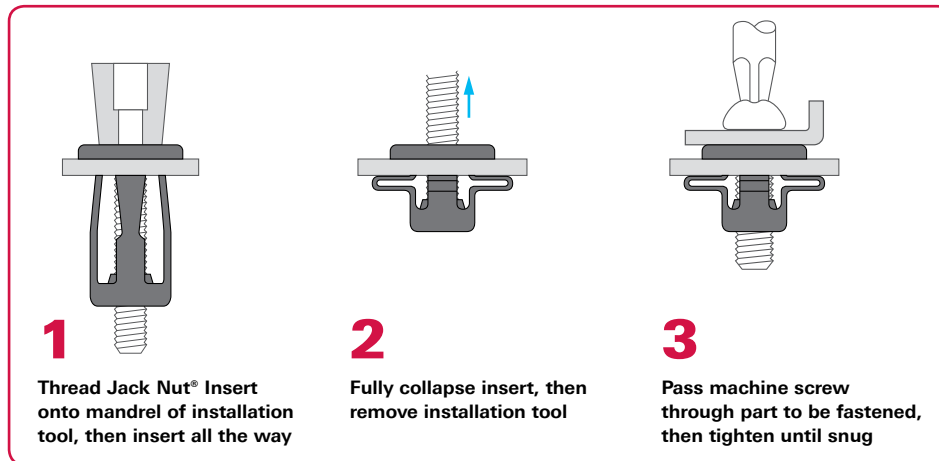
		DESCRIPTION							BULK PACK		SMALL PACK		
					d_k	k	d	tt	ARTICLE	BOX QTY	ARTICLE	BOX QTY	
M	g		d_h	l	d_k	k	d	tt					/1,000
	mm		mm	mm	mm	mm	mm	Nm					kg
M3	9.5 - 13.0	WNPL-0324-C632	6.2	24.9	14.0	0.9	6.1	0.4	63559	4,000	63560	100	
M4	0.4 - 4.4	WNPL-0413-C832	8.0	14.2	19.1	1.5	7.9	0.3	63561	3,300	63562	100	
M5	0.8 - 5.8	WNPL-0516-G1032	9.7	21.0	19.0	4.7	9.6	0.5	63563	1,800	63564	100	
	0.8 - 5.8	WNPL-0516-J1032	9.7	18.0	19.0	2.0	9.6	0.5	63565	2,500	63566	100	
M6	0.8 - 4.7	WNPL-0615-D1420	12.8	21.1	19.1	4.8	12.7	0.9	63567	1,600	63568	100	

M =Thread Size; l =Nominal Body Length; g =Grip Range (Min - Max); d_h =Hole Size; d_k =Nominal Head Diameter; k =Nominal Head Thickness; d =Nominal Barrel Diameter; tt =Nominal Tightening Torque

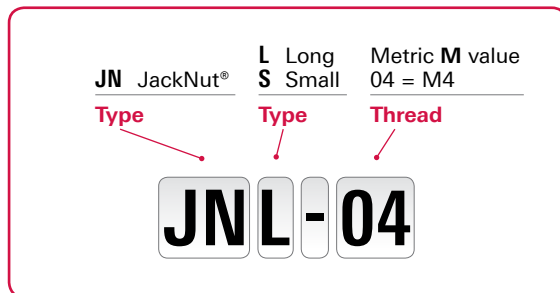
Jack Nut®

The Jack Nut® is a flat head slotted body blind rivet nut designed to be installed in soft or brittle materials such as plastic, paper, or glass. Its 4 legs expand behind the parent material providing excellent pull out resistance especially in soft materials. The Jack Nut® can be coated with RAINTITE® to seal moisture and hard plastic PVC to prevent scratching and galvanic corrosion. Jack Nut® inserts are RoHS compliant.

Installation Method



Jack Nut® Coding Guide



- Ideal for use in thin, soft or brittle application materials

M	l	g	DESCRIPTION	d _h	d _k	k	d	BULK PACK		SMALL PACK		KG /1,000
								ARTICLE	BOX QTY	ARTICLE	BOX QTY	
M4	16.5	0.4 - 4.8	JNS-04	8.4	11.9	1.9	7.8	61910	6,500	62856	100	1.8
	22.9	4.8 - 9.5	JNL-04	8.4	12.2	1.9	7.8	61940	5,200	61945	100	2.0
M5	17.9	0.4 - 4.8	JNS-05	10.1	13.5	1.9	9.6	61912	4,500	62860	100	2.7
	23.5	4.8 - 9.5	JNL-05	10.1	13.9	1.9	9.6	61941	3,500	61942	100	2.9
M6	18.2	0.4 - 4.8	JNS-06	11.4	15.9	1.9	11.1	61914	3,200	62864	100	3.6
	23.0	4.8 - 9.5	JNL-06	11.4	15.9	1.9	11.1	61915	2,500	62862	100	4.1

M=Thread Size; l=Nominal Body Length; g=Grip Range (Min - Max); d_h=Hole Size; d_k=Nominal Head Diameter; k=Nominal Head Thickness; d=Nominal Barrel Diameter

PNT200JN

- Thread the Jack Nut® onto the tool mandrel
- Place Jack Nut® in hole
- Squeeze the top trigger to install the Jack Nut®. The tool stalls at a predetermined torque
- Squeeze the lower trigger to reverse



19779

JNT2200

A hand operated tool that can install the full range of Jack Nut products.

- Thread a Jack Nut® onto the tool mandrel
- Insert Jack Nut® in the hole
- Squeeze tool handles together
- Turn upper knob anticlockwise to unthread
- Tool purchased pre-assembled to selected mandrel

Tool & Mandrel	Article Number
Tool & M4 Mandrel	62868
Tool & M5 Mandrel	62875
Tool & M6 Mandrel	62876



JNT2400

A stroke controlled tool that installs the full range of Jack Nut fasteners.

- Set the stroke of the tool per the manual
- Thread a Jack Nut® onto the tool mandrel
- Insert Jack Nut® in hole
- Squeeze tool handles together
- Turn rear knob anticlockwise to unthread
- Tool and mandrel purchased separately

Mandrel	Article Number
M4	40057
M5	40058
M6	40059

Article Number: 40054



JNT1100

The JNT1100 is a simple low cost tool that grips the Jack Nut head so that it can be installed with a screw and ratchet or box wrench.

- Place a screw through the appropriate hole in the wrench
- Thread on a Jack Nut®
- Insert Jack Nut® in hole
- Install bolt head with a wrench or ratchet to install the Jack Nut®

Article Number: 40069



Marketing Support

www.emhart.eu

For all the latest POPNut® information.

The website contains many new and exciting features to assist you in choosing the right fastener for your application.

Only three clicks to end product with fast web page navigation.

Online e-catalogue with easy drop down selection to help narrow down your search.

Application advice for the more challenging applications.

Download area containing all our latest literature and tool manuals.

Find a distributor by country selection.

A new Industry Solutions section, detailing specific products that are used in the applications of major industries, including the automotive and electronics sectors.



Glossary & Technical Advice

Head Style

Flat	Preferred. Provides a good bearing area for application surface and for bolted-on part.
Countersunk	Used for flush head setting requiring countersink in application. Recommend flush or slight head projection above the surface of application for maximum face contact and clamp.
Reduced	Used for near flush setting and as an alternative to countersinking. Not recommended for holes with wide tolerances or with soft ductile material.

Body Types

Round	Used for general purpose applications. Recommend hexagon type if high torque resistance required.
Round, Knurled	Provides improved resistance to turning in round holes especially in softer materials such as engineering plastics (acetal copolymers, acetal homopolymers, polyamides).
Hexagon	Used in conjunction with a hexagon hole to give maximum resistance to applied torque or unscrewing torque.
Open End	Preferred. Optimum length. Minimal blind side protrusion. Not bolt length critical provided the bolt engages all of the POPNut® threads.
Closed End	Used to prevent ingress of moisture past the securing bolt. For pressure-tight applications a special closed end POPNut® with seal beneath the flange may be required.

Materials and Finish

Steel	Low Carbon steel, zinc plated with Chrome VI-free passivation, used for general purpose applications with higher temperature resistance.
Aluminium	Aluminium alloy, self colour. Used when low weight and higher corrosion resistance is required.
Stainless Steel	A2 or A4 Stainless Steel with self colour giving higher temperature and corrosion resistance. Stainless steel POPNut® are suitable for some applications in food processing industries. Further information is available on request.
Finishes	For applications in adverse environmental conditions alternative finishes are available on request.

Clamp Thickness, Grip Range and Hole Dimension

Clamp Thickness	The total thickness of materials into which the POPNut® is to be installed.
Grip Range	A particular POPNut® can accommodate specific maximum and minimum material thickness.
Hole Size	The recommended hole dimensions for the application are specified in the appropriate POPNut® table.

Blind-side Set Dimensions

Axial Set Length	Set end protrusion is approximately 60% of the length of the POPNut® body plus 1mm for bolt end protrusion where applicable. It is recommended that a trial setting be made if this dimension is critical.
-------------------------	--

POPNut® Selection

The application material should be of sufficient density and thickness to support the formation of the set end flange. Determine the application material thickness, thread size and torque resistance required. From the application environmental conditions decide the material of the POPNut®. The attached part should touch the head of the POPNut® for maximum torque performance. Using the appropriate tables, determine the recommended hole dimensions and the POPNut® size. The application bolt should be at least Metric Class 8.8 strength and its fit should be Metric 6H design. The bolt thread length should be sufficiently long to engage all threads in the POPNut®.

Recommended Bolt Length

It is recommended that the screw length should protrude at least 2 threads length beyond the POPNut® open end. For a closed end POPNut® it is recommended that the following formula be used:

- Maximum bolt length = $X+S+e+L2$ where

X = thickness of the attached part; S = POPNut® Flange thickness; e = Thickness of Application; $L2$ = Length of Body after setting

Quality Accreditation

Quality systems approvals from the world's household names in manufacturing serve to reinforce accreditation to QS9000 / ISO9001 / TS16949.

As a result of our continuous design improvement, POP® fastening products are subject to modification. The latest technical data and drawings for any specific product are available on request.

EUROPE

United Kingdom

Emhart Teknologies
Tucker Fasteners
177 Walsall Road
Birmingham, B42 1BP
United Kingdom
Tel: +44 121 356 4811
Fax: +44 121 356 1598
csduk@bdk.com

The Netherlands

Emhart Teknologies
P.O. Box 70
6120 AB Born
The Netherlands
Tel: +31 43 750 2020
Fax: +31 43 750 2030

Spain

Emhart Teknologies
Sistemas de Fijacion Tucker
Carretera M-300
KM. 29,700
28802 Alcalá de Henares
Madrid, Spain
Tel: +34 91 887 1470
Fax: +34 91 882 3602
sft.pedidos@bdk.com

France

Emhart Teknologies
Emhart SNC
Zone Immoparc
Route de Chartres, Bât Loire 4
78190 TRAPPES
France
Tel: +33 1 30 50 91 00
Fax: +33 1 30 51 07 08
csdfr@bdk.com

Germany

Emhart Teknologies
Tucker Fasteners GmbH
Max-Eyth-Strasse 1
D-35394 Giessen
Germany
Tel: +49 641 405 0
Fax: +49 641 405 366
pop.de@bdk.com

Norway

Emhart Teknologies
Emhart Sjong
P.O. Box 203
Skjutbanevägen 6
S-701 44 Örebro
Sweden
Tel: +47 22 90 99 90
Fax: +46 19 26 00 38
info@emhart-teknik.se

Denmark

Emhart Teknologies
Emhart Harttung A/S
Roskildevej 22
2620 Albertslund
Denmark
Tel: +45 44 84 11 00
Fax: +45 44 84 62 12
salg.danmark@bdk.com

Sweden

Emhart Teknologies
Emhart Teknik AB
P.O. Box 203
Skjutbanevägen 6
S-701 44 Örebro
Sweden
Tel: +46 19 20 58 00
Fax: +46 19 26 00 38
info@emhart-teknik.se

Finland

Emhart Teknologies
Emhart Finland
Kumpulantie 13B
PL47
FI-00521, Helsinki
Finland
Tel: +358 9 819 0060
Fax: +358 9 812 428
myynti.emhart@bdk.com

Czech Republic

Emhart Teknologies
Tucker s.r.o.
Tel: +420 725 800 454
Fax: +420 493 546 567

Poland

Emhart Teknologies
Masterfix Poland LTD
ul. Daleka 16
60-124 Poznań, Poland
Tel: +48 61 86 66 297
Fax: +48 61 86 65 733

AMERICAS

USA - Connecticut

Emhart Teknologies
4 Corporate Drive, Suite 395
Shelton, CT 06484
USA
Tel: +1 203 925 2260
Fax: +1 203 925 2279

Canada

Emhart Teknologies
9870 Boulevard Du Golf
Anjou, Quebec
Canada H1J 2Y7
Tel: +1 514 351 0330
Fax: +1 514 351 0458

Mexico

Emhart Teknologies
Bosque De Cidros
Acceso Radiatas No 42
Bosque De Las Lomas,
3a Seccion, Mexico City
Mexico DF 05120
Tel: +52 55 5326 7100
Fax: +52 55 5236 7141

Brazil

Emhart Teknologies
Emhart Refal
Rua Ricardo Cavatton, 226
CEP: 05038-110 São Paulo
Brazil
Tel: +55 11 3871 6460
Fax: +55 11 3611 3505

ASIA

China

Emhart Teknologies
Shanghai Emhart Fastening
Systems
488 Jialou Road
Jaiding District
Shanghai 201807, China
Tel: +86 21 5954 8626
Fax: +86 21 5954 8775

Japan

Emhart Teknologies
Shuwa Kioicho Park Building 302
3-6 Kioicho, Chiyoa-Ku
Tokyo, 1020094, Japan
Tel: +81 3 3265 7291
Fax: +81 3 3265 7298

Korea

Emhart Teknologies
Seorin Building
45-15 Yeoido-Dong
Yeongdeungpo-Ku
Seoul, 150-891, R.O. Korea
Tel: +82 2 783 9226
Fax: +82 2 783 9228

India

Emhart Teknologies
APEX Towers, 5th Floor
No 54, 2nd Main Road
R.A. Puram, Chennai- 600028
India
Tel: +91 44 4306 0639
Fax: +91 44 4306 0768

© Emhart Teknologies 2013

The latest version of this catalogue is available to view and download at www.emhart.eu

POP®, POPSet®, ProSet®, Point&Set®, POPNut® and Tucker® are registered trademarks of Emhart Teknologies.
SmartSet™ and POP Bolt™ are trademarks of Emhart Teknologies.

Quality systems approvals from the world's household names in manufacturing serve to reinforce accreditation to ISO14001 / ISO9001 / TS16949.

As a result of our continuous design improvement, Emhart products are subject to modification. The latest technical data and drawings are available for any specific products on request.