

New

Technopolymer connecting clamps and hinged joints for tubes



DESIGNED
FOR ENGINEERING

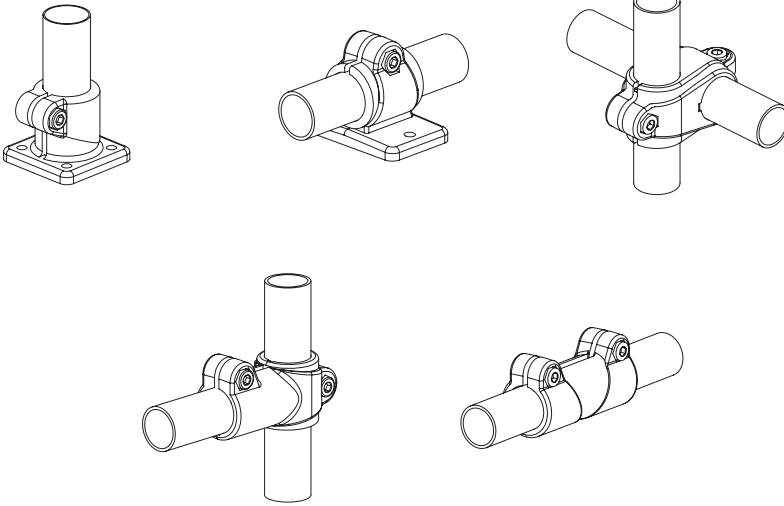


Technopolymer connecting clamps and hinged joints for tubes

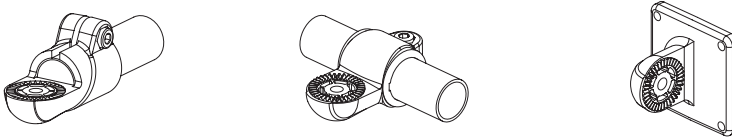
ELESA+GANTER tube connectors are a complete range of components for the construction of tubular structures that have applications in many industrial sectors, e.g. the food industry, packaging, paint, laboratory equipment and monitor mounts, to mention just a few.

- Lightweight
- Corrosion resistance
- High mechanical strength
- Flexibility to adapt to different tube diameters due to the reduction sleeve
- Hinged joints to adapt the structure to all required angles
- AISI 304 stainless steel screws for outdoor applications and for greater resistance to corrosive agents
- Clamping kit for frequent adjustment
- Easy cleaning due to a design free from corners and edges with a smooth surface
- Resistance to tube rotation and pull-out guaranteed at tightening torque
- Compatible with all commercial tubes (diameter tolerance of ± 0.2 mm)
- Black or grey colour

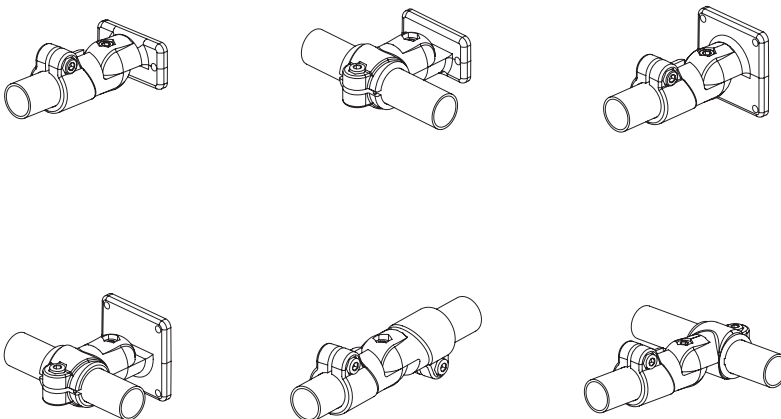
CONNECTING CLAMPS



CLAMPS FOR HINGED JOINTS

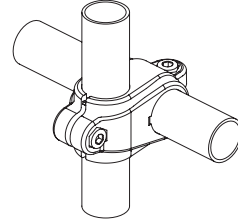


HINGED JOINTS FOR TUBES

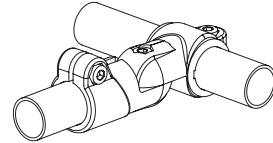


GENERAL INFORMATION

The range includes various items made entirely from glass-fibre reinforced polyamide based (PA) technopolymer and includes bases, connecting clamps with mounting plate and sleeve, T-shaped and two-way connecting clamps that enable axial and perpendicular fitting of round tubes with 18 mm and 30 mm diameter.

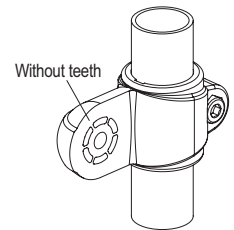
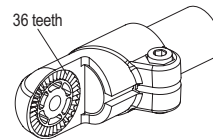


The range also includes hinged joints that allow the various parts of the structure to be connected at an angle. The angle is adjusted by joining two clamps or bases equipped with coaxial circular crowns that can be locked in the desired position.

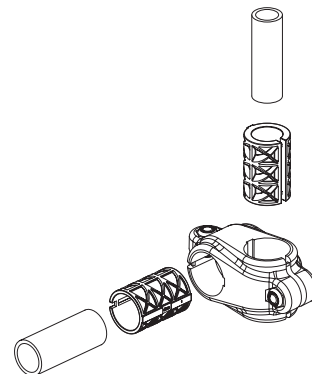


The toothed version (36 teeth) can be positioned at any angle with a 10° pitch with the joint having a high resistance value.

The version without teeth can be positioned at any angle. It has a lower resistance value but guarantees maximum flexibility, for example for sensor positioning.

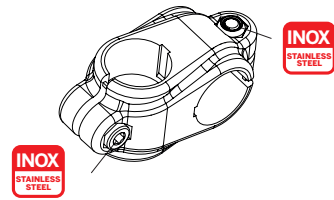


Reduction sleeve, equipped with a keyway that engages with the slot in the clamp on which it is mounted, allows the assembly with tubes with smaller diameters from 12 mm.

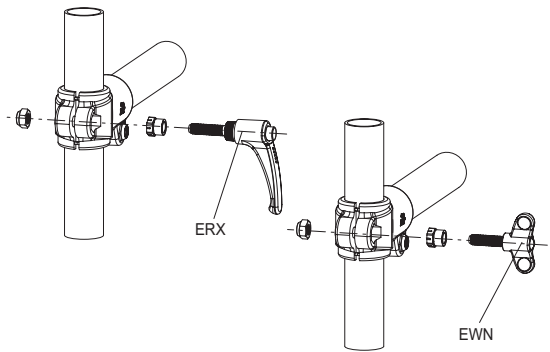


GENERAL INFORMATION

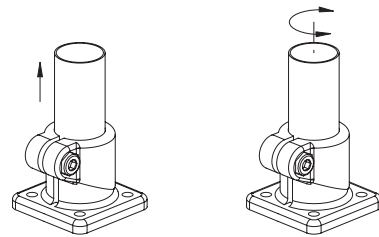
The clamps are supplied with self-locking screws and nuts in AISI 304 stainless steel to enable them to be used in outdoor applications or in environments where chemical agents are present (paints) or in the presence of humidity (beverage sector). The cylinder head screws with hexagon socket are supplied with anti-seizure treatment to facilitate repeated locking operations.



The clamping kits that complete the range comprise ELESAGANTER manual clamping parts (ERX adjustable handles or EWN wing nuts) that, using the distance bushings, can replace the screws supplied with the various elements so that the tube can be locked without using a hexagonal key.



Particularly high rotational and pull-out resistance values are ensured by tightening the torque to the values indicated for the various versions.

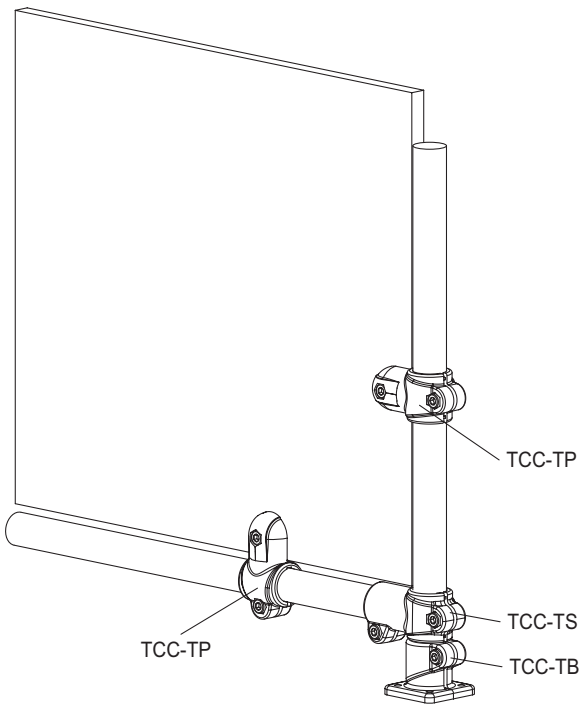
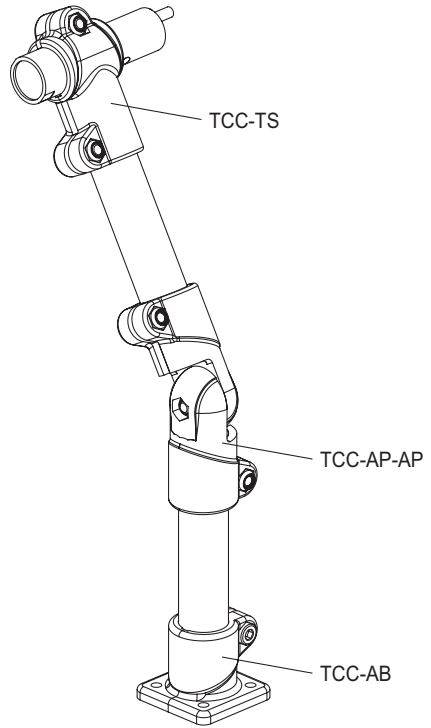
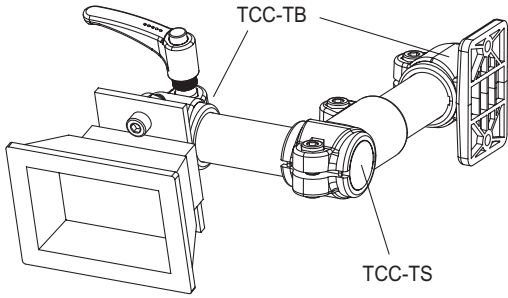


Elesa connecting clamps have been designed to guarantee the highest mechanical resistance, while their surface, free from no sharp corners, helps to maintain it clean, improves aesthetics and provides a distinctive design.

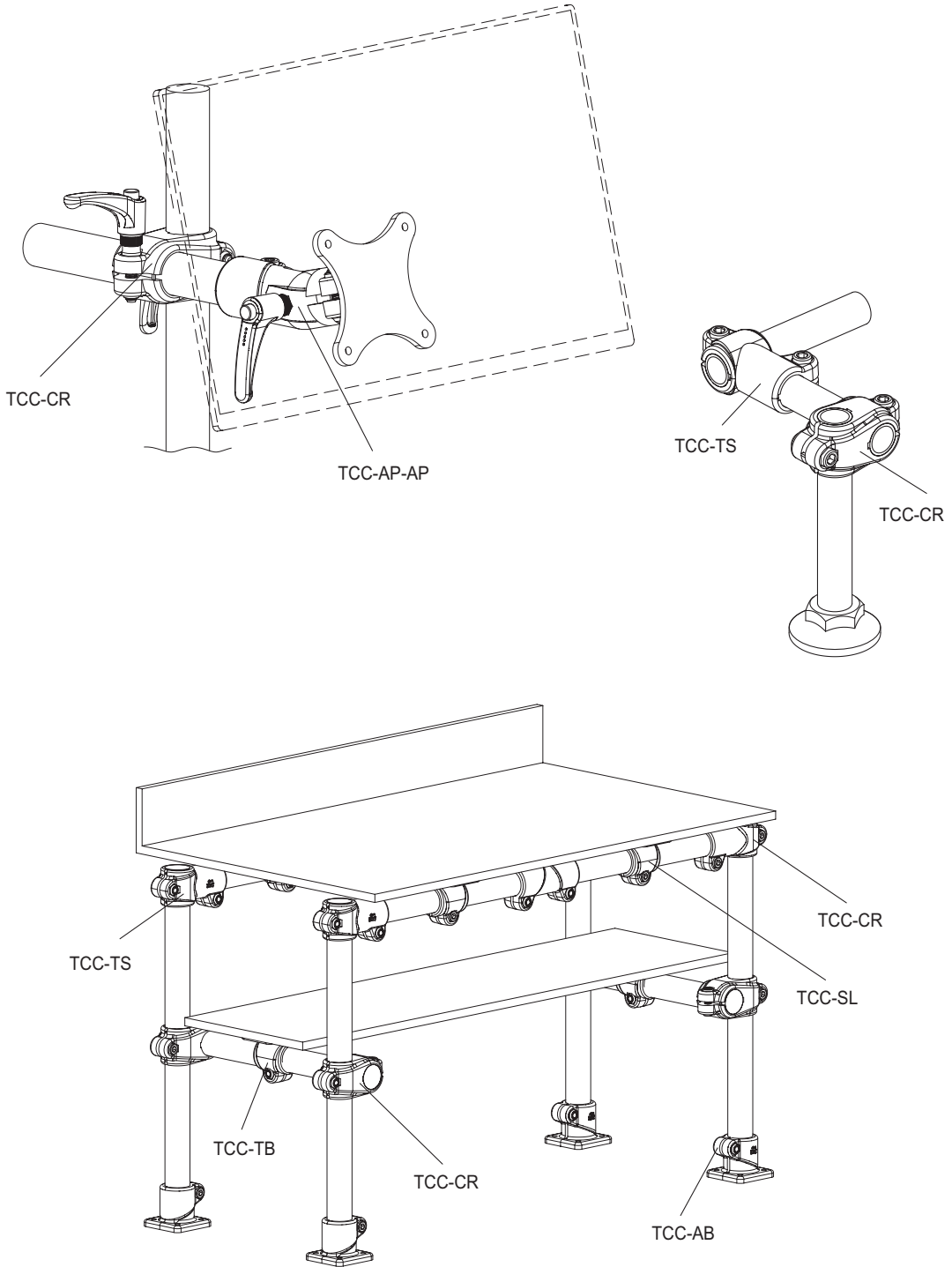
The tube connecting clamps are available in black or grey for better aesthetic matching with the natural aluminium colour.



APPLICATION EXAMPLES



APPLICATION EXAMPLES



TCC-AB

Connecting clamps
with mounting base
Technopolymer



page 9

**TCC-TB**

Connecting clamps
with mounting plate
Technopolymer



page 10

**TCC-CR**

Two-way connecting
clamps
Technopolymer



page 11

**TCC-TS**

T-shaped connecting
clamps
Technopolymer



page 12

**TCC-SL**

Connecting clamps
with sleeve
Technopolymer



page 13

**TCC-PBF**

Mounting base for
hinged joints
Technopolymer



page 14

**TCC-PB**

Mounting base for
hinged joints
Technopolymer



page 15

**TCC-AP**

Clamps for hinged
joints
Technopolymer



page 16

**TCC-TP**

Clamps for hinged
joints
Technopolymer



page 18

**TCC-AP-PBF**

Hinged joint with
mounting base and
clamp
Technopolymer



page 20

**TCC-TP-PBF**

Hinged joint with
mounting base and
clamp
Technopolymer



page 22

**TCC-AP-PB**

Hinged joint with
mounting base and
clamp
Technopolymer



page 24

**TCC-TP-PB**

Hinged joint with
mounting base and
clamp
Technopolymer



page 26

**TCC-AP-AP**

Hinged joints with
clamps
Technopolymer



page 28

**TCC-AP-TP**

Hinged joints with
clamps
Technopolymer



page 30

**TCC-A**

Hole reduction sleeve
for TCC clamps,
technopolymer



page 32

**TCC-KS**

Clamping kit for TCC
Technopolymer



page 34

**TCC-KV**

Screws and nuts for
TCC
Stainless steel



page 35



Connecting clamps with mounting base

Technopolymer

CLAMP

Glass-fibre reinforced polyamide based (PA) technopolymer, RAL 9005 (C9) black colour or grey RAL 7040 (C33) colour, matte finish.

SCREW AND NUT (SUPPLIED)

Cylindrical-head screws with hexagon socket in AISI 304 stainless steel with anti-seizure treatment.
Self-locking nut in AISI 304 stainless steel.

FEATURES

Clamps for tubes with a diameter of 18 ± 0.2 and 30 ± 0.2 mm.
For smaller diameter tubes, the hole reduction sleeves TCC-A can be used (ordered separately).
The "s" grub screw may be replaced by the kit TCC-KS.

TECHNICAL DATA

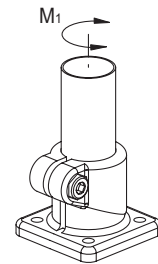
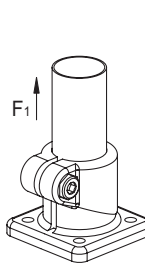
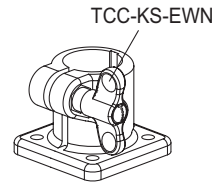
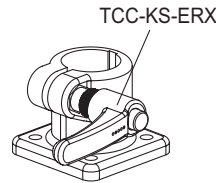
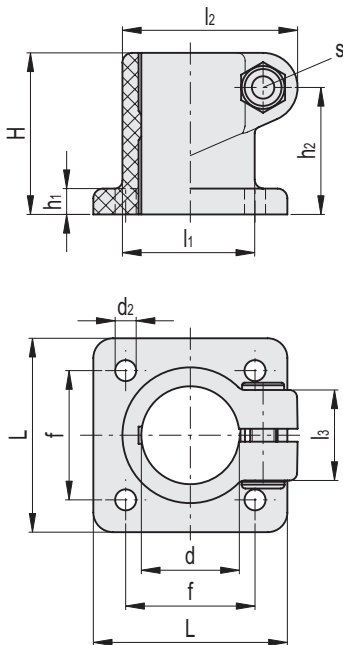
The resistance values shown in the table were measured during laboratory tests at ambient temperature with the screws tightened to the maximum torque "C#".

ACCESSORIES ON REQUEST (TO BE ORDERED SEPARATELY)

- TCC-A (see page 32): reduction sleeves.
- TCC-KS (see page 34): clamping kit.
- TCC-KV (see page 35): screws and clamping nuts.
- GN 990: connecting tubes.



ELESA Original design



C9
 C33
 RAL9005 RAL7040

STAINLESS STEEL

Code	Description	d	L	H	d2	f ±0.2	h1	h2	l1	l2	l3	s	C# [Nm]	F1* [N]	M1** [Nm]	⚖️	
600111-C9	TCC-AB-18-C9	18	45	34	5.3	30	5	25	26	36.5	20	M6	5	1050	8	29	
600111-C33	TCC-AB-18-C33	18	45	34	5.3	30	5	25	26	36.5	20	M6	5	1050	8	29	
600211-C9	TCC-AB-30-C9	30	60	50	6.5	40	8	40	40	53.5	27	M8	12	1650	33	75	
600211-C33	TCC-AB-30-C33	30	60	50	6.5	40	8	40	40	53.5	27	M8	12	1650	33	75	

Suggested torque for screw assembly.

* Resistance to tube pull out

** Resistance to tube rotation

Connecting clamps with mounting plate

Technopolymer

CLAMP

Glass-fibre reinforced polyamide based (PA) technopolymer, RAL 9005 (C9) black colour or grey RAL 7040 (C33) colour, matte finish.

SCREW AND NUT (SUPPLIED)

Cylindrical-head screws with hexagon socket in AISI 304 stainless steel with anti-seizure treatment.

Self-locking nut in AISI 304 stainless steel.

FEATURES

Clamps for tubes with a diameter of 18 ± 0.2 and 30 ± 0.2 mm.

For smaller diameter tubes, the hole reduction sleeve TCC-A can be used (ordered separately).

The "s" grub screw may be replaced by the kit TCC-KS.

TECHNICAL DATA

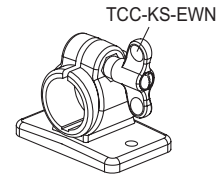
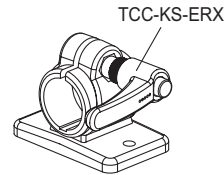
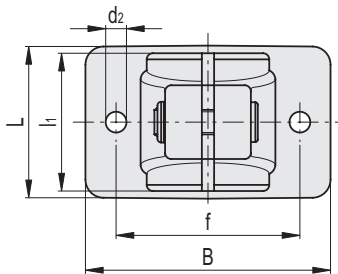
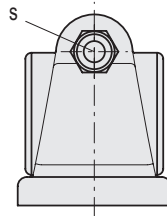
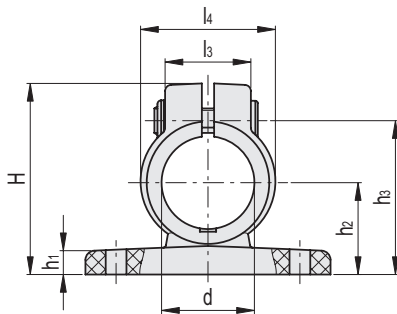
The resistance values shown in the table were measured during laboratory tests at ambient temperature with the screws tightened to the maximum torque "C#".

ACCESSORIES ON REQUEST (TO BE ORDERED SEPARATELY)

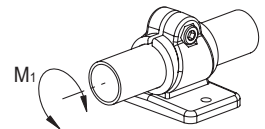
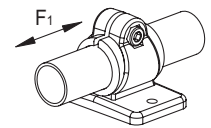
- TCC-A (see page 32): reduction sleeves.
- TCC-KS (see page 34): clamping kit.
- TCC-KV (see page 35): screws and clamping nuts.
- GN 990: connecting tubes.



ELESA Original design



■ C9 RAL9005 ■ C33 RAL7040



STAINLESS STEEL

Code	Description	d	L	B	H	d2	f±0.2	h1	h2	h3	l1	l3	l4	s	C# [Nm]	F1* [N]	M1** [Nm]	⚖️
600141-C9	TCC-TB-18-C9	18	34.5	52	41	5.3	40	5	18	33.5	29	21	29	M6	5	1450	16	29
600141-C33	TCC-TB-18-C33	18	34.5	52	41	5.3	40	5	18	33.5	29	21	29	M6	5	1450	16	29
600241-C9	TCC-TB-30-C9	30	49.5	80	61.5	6.5	60	8	30	50	44.5	27	44	M8	12	1800	27	84
600241-C33	TCC-TB-30-C33	30	49.5	80	61.5	6.5	60	8	30	50	44.5	27	44	M8	12	1800	27	84

Suggested torque for screw assembly.

* Resistance to tube pull out

** Resistance to tube rotation

Two-way connecting clamps

Technopolymer

CLAMP

Glass-fibre reinforced polyamide based (PA) technopolymer, RAL 9005 (C9) black colour or grey RAL 7040 (C33) colour, matte finish.

SCREWS AND NUTS (SUPPLIED)

Cylindrical-head screw with hexagon socket in AISI 304 stainless steel with anti-seizure treatment.
Self-locking nuts in AISI 304 stainless steel.

FEATURES

Clamps for tubes with a diameter of 18 ± 0.2 and 30 ± 0.2 mm.
For smaller diameter tubes, the hole reduction sleeve TCC-A can be used (ordered separately).
The "s" grub screws may be replaced by the kit TCC-KS.

TECHNICAL DATA

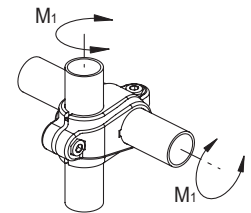
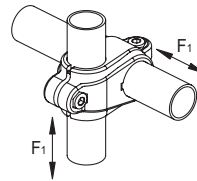
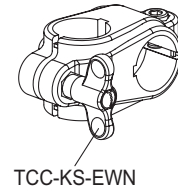
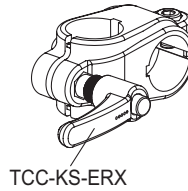
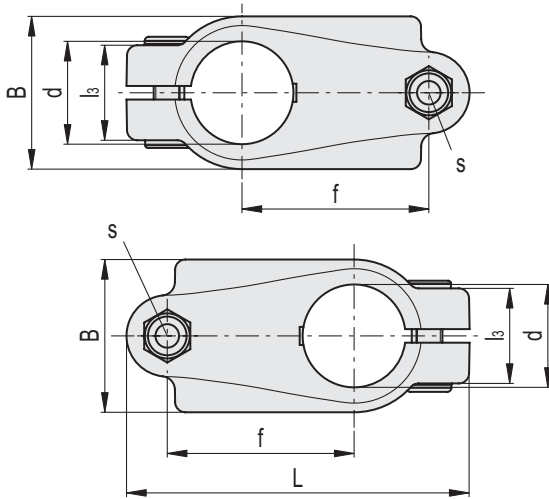
The resistance values shown in the table were measured during laboratory tests at ambient temperature with the screws tightened to the maximum torque "C#".

ACCESSORIES ON REQUEST (TO BE ORDERED SEPARATELY)

- TCC-A (see page 32): reduction sleeves.
- TCC-KS (see page 34): clamping kit.
- TCC-KV (see page 35): screws and clamping nuts.
- GN 990: connecting tubes.



ELESA Original design



C9 RAL9005
 C33 RAL7040

STAINLESS STEEL

Code	Description	d	L	B	f	l3	s	C# [Nm]	F1* [N]	M1** [Nm]	⚖️
600121-C9	TCC-CR-18-18-C9	18	65	29	34	21	M6	5	2150	17	41
600121-C33	TCC-CR-18-18-C33	18	65	29	34	21	M6	5	2150	17	41
600221-C9	TCC-CR-30-30-C9	30	100.5	45	54.5	27	M8	12	1350	21	123
600221-C33	TCC-CR-30-30-C33	30	100.5	45	54.5	27	M8	12	1350	21	123

Suggested torque for screw assembly.

* Resistance to tube pull out

** Resistance to tube rotation

T-shaped connecting clamps

Technopolymer

CLAMP

Glass-fibre reinforced polyamide based (PA) technopolymer, RAL 9005 (C9) black colour or grey RAL 7040 (C33) colour, matte finish.

SCREWS AND NUTS (SUPPLIED)

Cylindrical-head screw with hexagon socket in AISI 304 stainless steel with anti-seizure treatment.
Self-locking nuts in AISI 304 stainless steel.

FEATURES

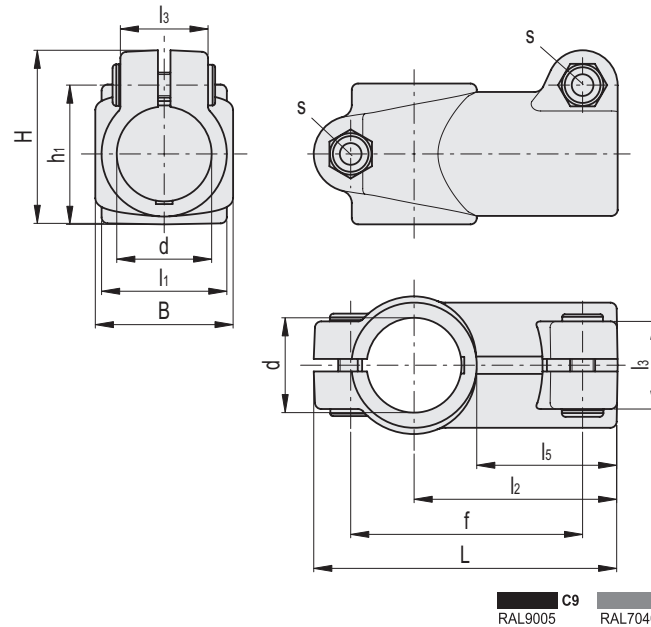
Clamps for tubes with a diameter of 18 ± 0.2 and 30 ± 0.2 mm.
For smaller diameter tubes, the hole reduction sleeve TCC-A can be used (ordered separately).
The "s" grub screws may be replaced by the kit TCC-KS.

TECHNICAL DATA

The resistance values shown in the table were measured during laboratory tests at ambient temperature with the screws tightened to the maximum torque "C#".

ACCESSORIES ON REQUEST (TO BE ORDERED SEPARATELY)

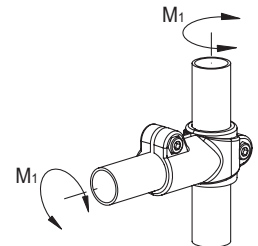
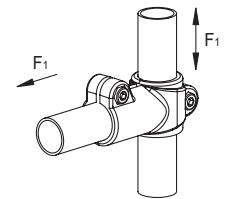
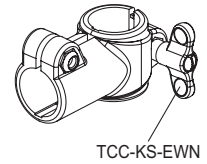
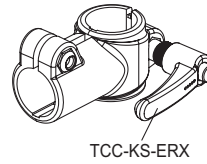
- TCC-A (see page 32): reduction sleeves.
- TCC-KS (see page 34): clamping kit.
- TCC-KV (see page 35): screws and clamping nuts.
- GN 990: connecting tubes.



C9 RAL9005 **C33** RAL7040



ELESA Original design



STAINLESS STEEL

Code	Description	d	L	B	H	f	h1	l1	l2	l3	l5	s	C# [Nm]	F1* [N]	M1** [Nm]	⚖️
600151-C9	TCC-TS-18-18-C9	18	65	29	35	49	27	26.5	43.5	20.5	30.5	M6	5	1450	14	42
600151-C33	TCC-TS-18-18-C33	18	65	29	35	49	27	26.5	43.5	20.5	30.5	M6	5	1450	14	42
600251-C9	TCC-TS-30-30-C9	30	96	44	55.5	74	44	40.5	64.5	28	45.5	M8	12	1650	17	113
600251-C33	TCC-TS-30-30-C33	30	96	44	55.5	74	44	40.5	64.5	28	45.5	M8	12	1650	17	113

Suggested torque for screw assembly.

* Resistance to tube pull out

** Resistance to tube rotation

Connecting clamps with sleeve

Technopolymer

CLAMP

Glass-fibre reinforced polyamide based (PA) technopolymer, RAL 9005 (C9) black colour or grey RAL 7040 (C33) colour, matte finish.

SCREWS AND NUTS (SUPPLIED)

Cylindrical-head screw with hexagon socket in AISI 304 stainless steel with anti-seizure treatment.
Self-locking nuts in AISI 304 stainless steel.

FEATURES

Clamps for tubes with a diameter of 18 ± 0.2 and 30 ± 0.2 mm.
For smaller diameter tubes, the hole reduction sleeve TCC-A can be used (ordered separately).
The "s" grub screws may be replaced by the kit TCC-KS.

TECHNICAL DATA

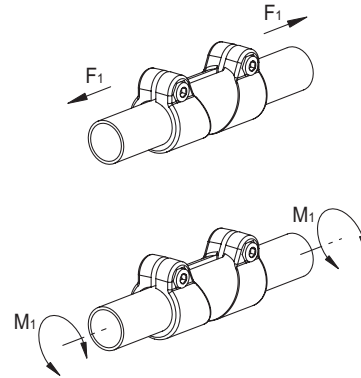
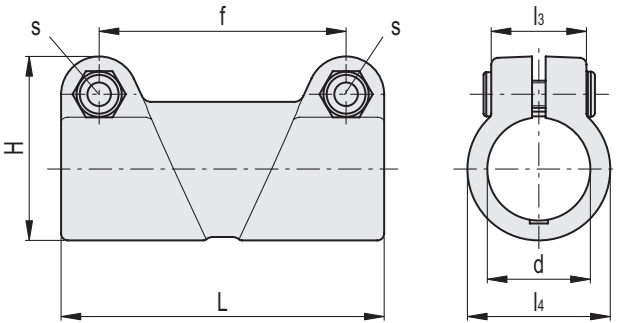
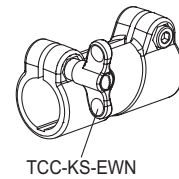
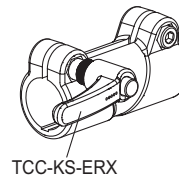
The resistance values shown in the table were measured during laboratory tests at ambient temperature with the screws tightened to the maximum torque "C#".

ACCESSORIES ON REQUEST (TO BE ORDERED SEPARATELY)

- TCC-A (see page 32): reduction sleeves.
- TCC-KS (see page 34): clamping kit.
- TCC-KV (see page 35): screws and clamping nuts.
- GN 990: connecting tubes.



ELESA Original design



C9
RAL9005
 C33
RAL7040

STAINLESS STEEL

Code	Description	d	L	H	f	l3	l4	s	C# [Nm]	F1* [N]	M1** [Nm]	
600131-C9	TCC-SL-18-18-C9	18	64.5	35.5	48	20.5	29	M6	5	1100	13	45
600131-C33	TCC-SL-18-18-C33	18	64.5	35.5	48	20.5	29	M6	5	1100	13	45
600231-C9	TCC-SL-30-30-C9	30	94.5	53.5	72	27	42	M8	12	1400	25	116
600231-C33	TCC-SL-30-30-C33	30	94.5	53.5	72	27	42	M8	12	1400	25	116

Suggested torque for screw assembly.

* Resistance to tube pull out

** Resistance to tube rotation

Mounting base for hinged joints

Technopolymer

BASE

Glass-fibre reinforced polyamide based (PA) technopolymer, RAL 9005 (C9) black colour or grey RAL 7040 (C33) colour, matte finish.

SCREW AND NUT (SUPPLIED)

Cylindrical-head screws with hexagon socket in AISI 304 stainless steel with anti-seizure treatment.
Self-locking nut in AISI 304 stainless steel.

STANDARD EXECUTIONS

- **TCC-PBF-E**: external teeth.
- **TCC-PBF-S**: without teeth.

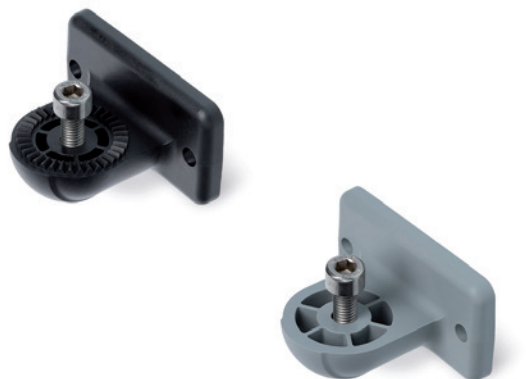
FEATURES

A base with external teeth can be joined to a clamp with internal teeth, or a base without teeth to a clamp without teeth, to create a hinged joint.

Joints comprising bases with external teeth and clamps with internal teeth (36 teeth) have a 10° adjustment angle.

Joints comprising bases and clamps without teeth can be positioned at any angle.

The "s" grub screw may be replaced by the kit TCC-KS.



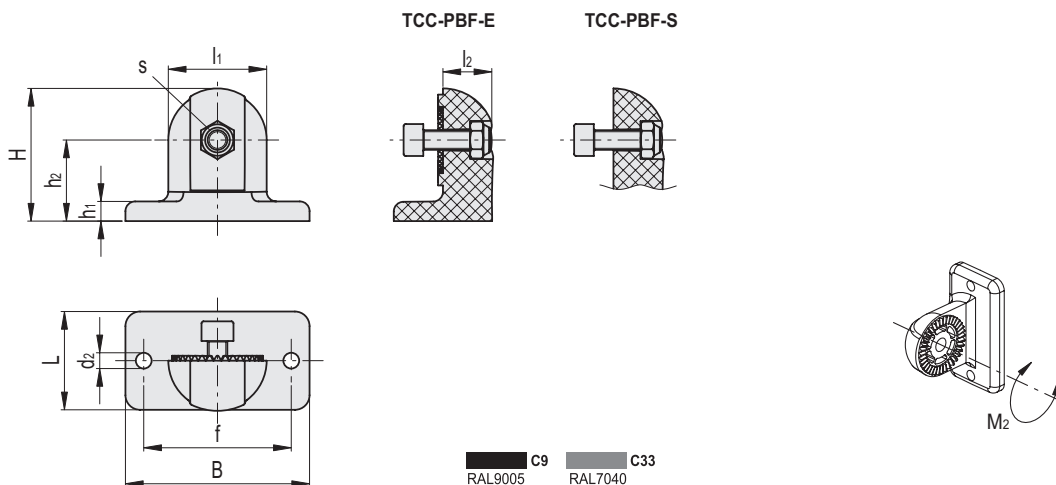
ELESA Original design

TECHNICAL DATA

The resistance values shown in the table were measured during laboratory tests at ambient temperature with the screws tightened to the maximum torque "C#".

ACCESSORIES ON REQUEST (TO BE ORDERED SEPARATELY)

- TCC-KS (see page 34): clamping kit.
- TCC-KV (see page 35): screws and clamping nuts.



TCC-PBF-E

STAINLESS STEEL

Code	Description	L	B	H	d2	f ±0.2	h1	h2	l1	l2	s	C# [Nm]	M2*** [Nm]	⚖
600431-C9	TCC-PBF-30-E-C9	40	75	54	6.5	60	8	33	40	20	M8	12	100	63
600431-C33	TCC-PBF-30-E-C33	40	75	54	6.5	60	8	33	40	20	M8	12	100	63

TCC-PBF-S

STAINLESS STEEL

Code	Description	L	B	H	d2	f ±0.2	h1	h2	l1	l2	s	C# [Nm]	M2*** [Nm]	⚖
600435-C9	TCC-PBF-30-S-C9	40	75	54	6.5	60	8	33	40	20	M8	12	7	58
600435-C33	TCC-PBF-30-S-C9	40	75	54	6.5	60	8	33	40	20	M8	12	7	58

Suggested torque for screw assembly.

*** Resistance to joint rotation.

Mounting base for hinged joints

Technopolymer

BASE

Glass-fibre reinforced polyamide based (PA) technopolymer, RAL 9005 (C9) black colour or grey RAL 7040 (C33) colour, matte finish.

SCREW AND NUT (SUPPLIED)

Cylindrical-head screws with hexagon socket in AISI 304 stainless steel with anti-seizure treatment.
Self-locking nut in AISI 304 stainless steel.

STANDARD EXECUTIONS

- **TCC-PB-E**: external teeth.
- **TCC-PB-S**: without teeth.

FEATURES

A base with external teeth can be joined to a clamp with internal teeth, or a base without teeth to a clamp without teeth, to create a hinged joint.

Joints comprising bases with external teeth and clamps with internal teeth (36 teeth) have a 10° adjustment angle.

Joints comprising bases and clamps without teeth can be positioned at any angle.

The "s" grub screw may be replaced by the kit TCC-KS.

TECHNICAL DATA

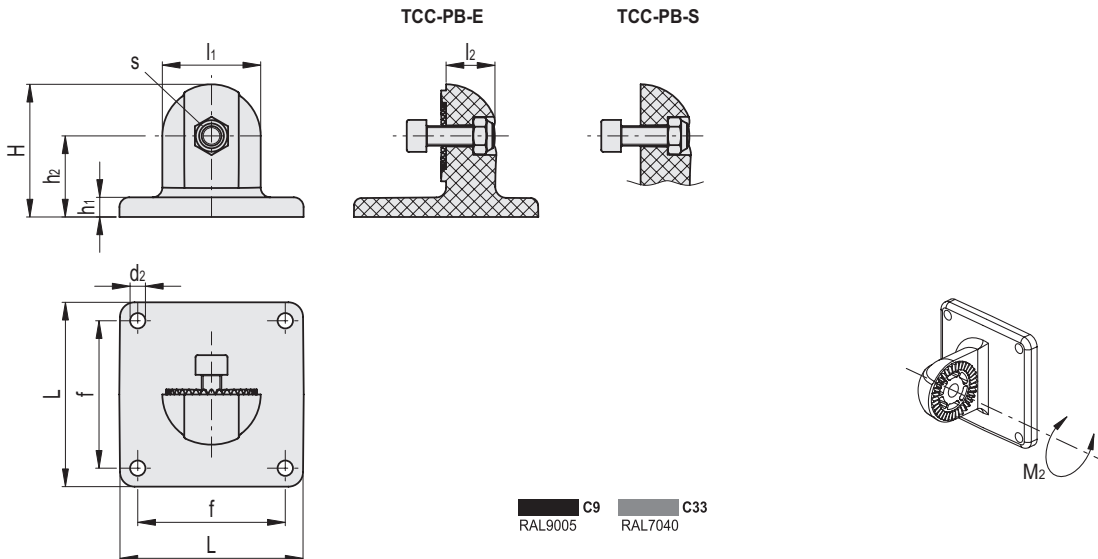
The resistance values shown in the table were measured during laboratory tests at ambient temperature with the screws tightened to the maximum torque "C#".



ELESA Original design

ACCESSORIES ON REQUEST (TO BE ORDERED SEPARATELY)

- TCC-KS (see page 34): clamping kit.
- TCC-KV (see page 35): screws and clamping nuts.



TCC-PB-E

STAINLESS STEEL

Code	Description	L	H	d2	f ±0.2	h1	h2	l1	l2	s	C# [Nm]	M2*** [Nm]	⚖️
600421-C9	TCC-PB-30-E-C9	75	54	6.5	60	8	33	40	20	M8	12	100	78
600421-C33	TCC-PB-30-E-C33	75	54	6.5	60	8	33	40	20	M8	12	100	78

TCC-PB-S

STAINLESS STEEL

Code	Description	L	H	d2	f ±0.2	h1	h2	l1	l2	s	C# [Nm]	M2*** [Nm]	⚖️
600425-C9	TCC-PB-30-S-C9	75	54	6.5	60	8	33	40	20	M8	12	7	73
600425-C33	TCC-PB-30-S-C33	75	54	6.5	60	8	33	40	20	M8	12	7	73

Suggested torque for screw assembly.

*** Resistance to joint rotation.

Clamps for hinged joints

Technopolymer

CLAMP

Glass-fibre reinforced polyamide based (PA) technopolymer, RAL 9005 (C9) black colour or grey RAL 7040 (C33) colour, matte finish.

SCREWS AND NUTS

Cylindrical-head screw with hexagon socket in AISI 304 stainless steel with anti-seizure treatment.

Self-locking nuts in AISI 304 stainless steel.

Supplied: two screws and two nuts for versions TCC-AP-E and TCC-AP-S, one screw and one nut for version TCC-AP-I

STANDARD EXECUTIONS

- **TCC-AP-E:** external teeth.
- **TCC-AP-I:** internal teeth.
- **TCC-AP-S:** without teeth.

FEATURES

Two clamps, one with external teeth and one with internal teeth or two without teeth, can be joined to create a hinged joint.

Joints comprising clamps with external/internal teeth (36 teeth) have a 10° adjustment angle.

Joints comprising clamps without teeth can be positioned at any angle.

Clamps for tubes with a diameter of 30 ± 0.2 mm.

For smaller diameter tubes, the hole reduction sleeve can be used TCC-A (to be ordered separately).

The "s" grub screws may be replaced by the kit TCC-KS.



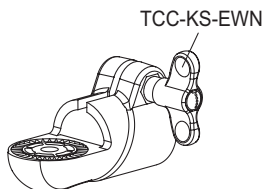
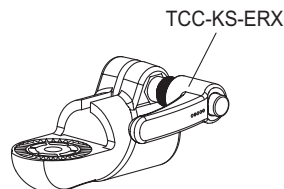
ELESA Original design

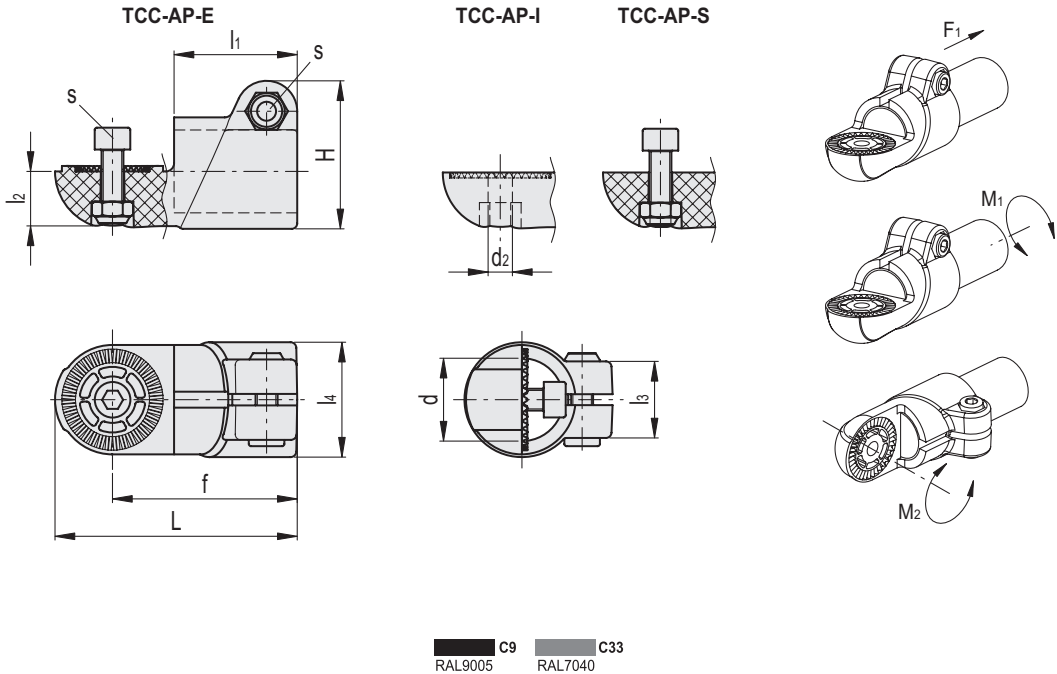
TECHNICAL DATA

The resistance values shown in the table were measured during laboratory tests at ambient temperature with the screws tightened to the maximum torque "C#".

ACCESSORIES ON REQUEST (TO BE ORDERED SEPARATELY)

- TCC-A (see page 32): reduction sleeves.
- TCC-KS (see page 34): clamping kit.
- GN 197: monitor mounts.
- TCC-KV (see page 35): screws and clamping nuts.
- GN 990: connecting tubes.





TCC-AP-E

STAINLESS STEEL

Code	Description	d	L	H	f	l1	l2	l3	l4	s	C# [Nm]	F1* [N]	M1** [Nm]	M2*** [Nm]	⚖️
600401-C9	TCC-AP-30-E-C9	30	88	54	67	45	16.5	27	42	M8	12	3300	33	140	80
600401-C33	TCC-AP-30-E-C33	30	88	54	67	45	16.5	27	42	M8	12	3300	33	140	80

TCC-AP-I

STAINLESS STEEL

Code	Description	d	L	H	d2	f	l1	l2	l3	l4	s	C# [Nm]	F1* [N]	M1** [Nm]	M2*** [Nm]	⚖️
600403-C9	TCC-AP-30-I-C9	30	88	54	8.1	67	45	16.5	27	42	M8	12	3300	33	140	79
600403-C33	TCC-AP-30-I-C33	30	88	54	8.1	67	45	16.5	27	42	M8	12	3300	33	140	79

TCC-AP-S

STAINLESS STEEL

Code	Description	d	L	H	f	l1	l2	l3	l4	s	C# [Nm]	F1* [N]	M1** [Nm]	M2*** [Nm]	⚖️
600405-C9	TCC-AP-30-S-C9	30	88	54	67	45	16.5	27	42	M8	12	3300	33	6	79
600405-C33	TCC-AP-30-S-C33	30	88	54	67	45	16.5	27	42	M8	12	3300	33	6	79

Suggested torque for screw assembly.

* Resistance to tube pull out

** Resistance to tube rotation

*** Resistance to joint rotation.

Clamps for hinged joints

Technopolymer

CLAMP

Glass-fibre reinforced polyamide based (PA) technopolymer, RAL 9005 (C9) black colour or grey RAL 7040 (C33) colour, matte finish.

SCREWS AND NUTS

Cylindrical-head screw with hexagon socket in AISI 304 stainless steel with anti-seizure treatment.

Self-locking nuts in AISI 304 stainless steel.

Supplied: two screws and two nuts for versions TCC-TP-E and TCC-TP-S, one screw and one nut for version TCC-TP-I

STANDARD EXECUTIONS

- **TCC-TP-E**: external teeth.
- **TCC-TP-I**: internal teeth.
- **TCC-TP-S**: without teeth.

FEATURES

Two clamps, one with external teeth and one with internal teeth or two without teeth, can be joined to create a hinged joint.

Joints comprising clamps with external/internal teeth (36 teeth) have a 10° adjustment angle.

Joints comprising clamps without teeth can be positioned at any angle.

Clamps for tubes with a diameter of 30 ± 0.2 mm.

For smaller diameter tubes, the hole reduction sleeve can be used TCC-A (to be ordered separately).

The "s" grub screws may be replaced by the kit TCC-KS.

TECHNICAL DATA

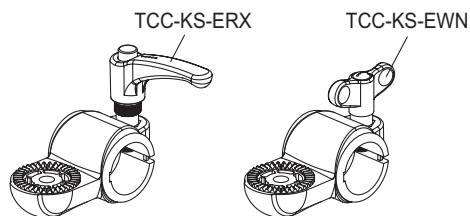
The resistance values shown in the table were measured during laboratory tests at ambient temperature with the screws tightened to the maximum torque "C#".

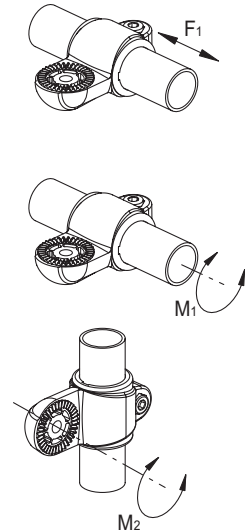
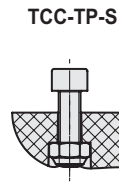
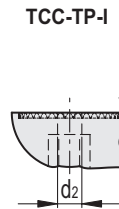
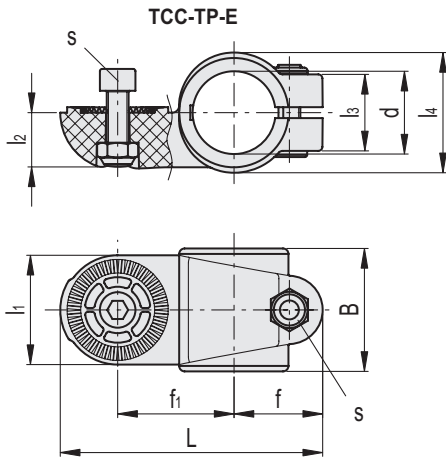
ACCESSORIES ON REQUEST (TO BE ORDERED SEPARATELY)

- TCC-A (see page 32): reduction sleeves.
- TCC-KS (see page 34): clamping kit.
- GN 197: monitor mounts.
- TCC-KV (see page 35): screws and clamping nuts.
- GN 990: connecting tubes.



ELESA Original design





TCC-TP-E

STAINLESS STEEL

Code	Description	d	L	B	f	f1	l1	l2	l3	l4	s	C#	F1*	M1**	M2***	⚖️
												[Nm]	[N]	[Nm]	[Nm]	
600411-C9	TCC-TP-30-E-C9	30	95	44.5	32.5	42	40	16.5	27	44	M8	12	3000	33	120	83
600411-C33	TCC-TP-30-E-C33	30	95	44.5	32.5	42	40	16.5	27	44	M8	12	3000	33	120	83

TCC-TP-I

STAINLESS STEEL

Code	Description	d	L	B	d2	f	f1	l1	l2	l3	l4	s	C#	F1*	M1**	M2***	⚖️
													[Nm]	[N]	[Nm]	[Nm]	
600413-C9	TCC-TP-30-I-C9	30	95	44.5	8,1	32.5	42	40	16.5	27	44	M8	12	3000	33	120	82
600413-C33	TCC-TP-30-I-C33	30	95	44.5	8,1	32.5	42	40	16.5	27	44	M8	12	3000	33	120	82

TCC-TP-S

STAINLESS STEEL

Code	Description	d	L	B	f	f1	l1	l2	l3	l4	s	C#	F1*	M1**	M2***	⚖️
												[Nm]	[N]	[Nm]	[Nm]	
600415-C9	TCC-TP-30-S-C9	30	95	44.5	32.5	42	40	16.5	27	44	M8	12	3000	33	4	82
600415-C33	TCC-TP-30-S-C33	30	95	44.5	32.5	42	40	16.5	27	44	M8	12	3000	33	4	82

Suggested torque for screw assembly.

* Resistance to tube pull out

** Resistance to tube rotation

*** Resistance to joint rotation.

Hinged joint with mounting base and clamp

Technopolymer

CLAMP AND BASE

Glass-fibre reinforced polyamide based (PA) technopolymer, RAL 9005 (C9) black colour or grey RAL 7040 (C33) colour, matte finish.

SCREWS AND NUTS (SUPPLIED)

Cylindrical-head screw with hexagon socket in AISI 304 stainless steel with anti-seizure treatment.

Self-locking nuts in AISI 304 stainless steel.

STANDARD EXECUTIONS

- **TCC-AP-PBF-T**: with teeth.
- **TCC-AP-PBF-S**: without teeth.

FEATURES

Joints comprising bases with external teeth and clamps with internal teeth (36 teeth) have a 10° adjustment angle.

Joints comprising bases and clamps without teeth can be positioned at any angle.

Clamps for tubes with a diameter of 30 ± 0.2 mm.

For smaller diameter tubes, the hole reduction sleeve can be used TCC-A (to be ordered separately).

The "s" grub screws may be replaced by the kit TCC-KS.

TECHNICAL DATA

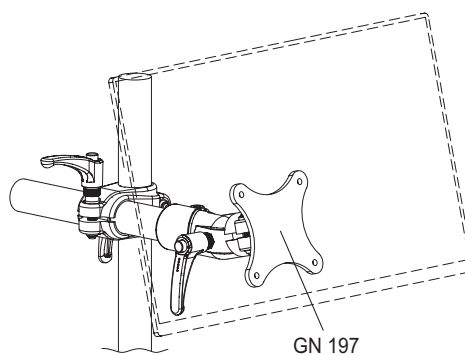
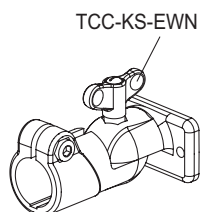
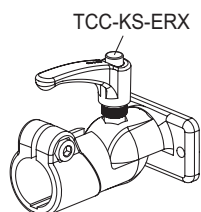
The resistance values shown in the table were measured during laboratory tests at ambient temperature with the screws tightened to the maximum torque "C#".

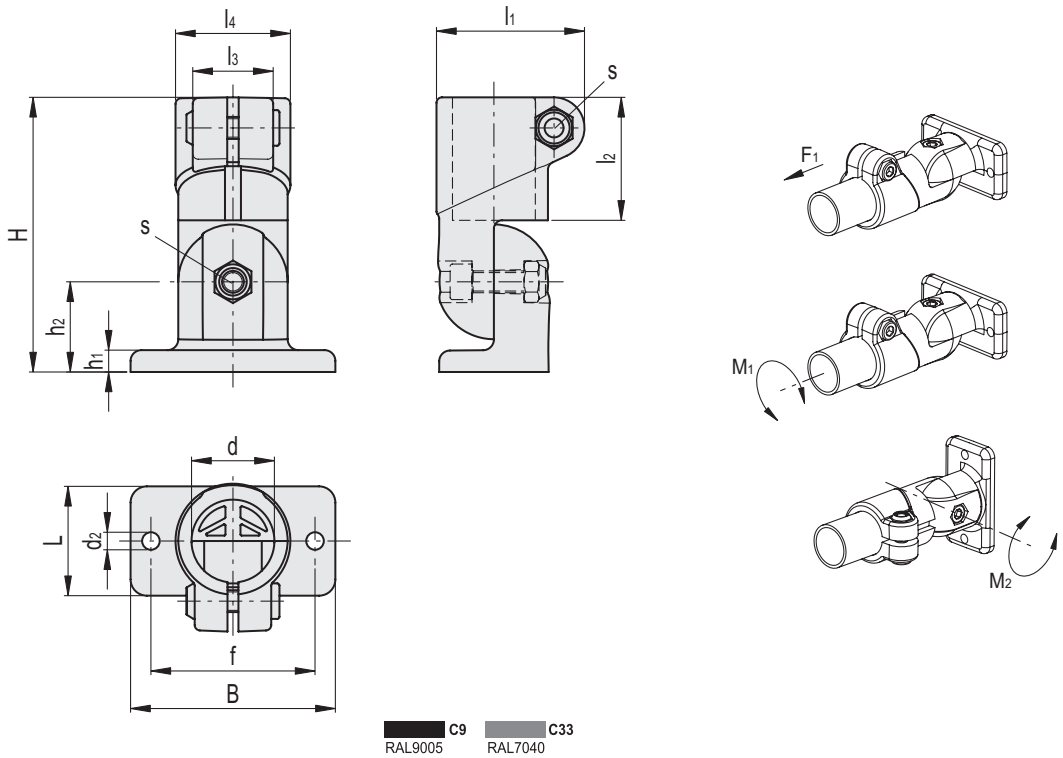
ACCESSORIES ON REQUEST (TO BE ORDERED SEPARATELY)

- TCC-A (see page 32): reduction sleeves.
- TCC-KS (see page 34): clamping kit.
- GN 197: monitor mounts.
- TCC-KV (see page 35): screws and clamping nuts.
- GN 990: connecting tubes.



ELESA Original design





TCC-AP-PBF-T

STAINLESS STEEL

Code	Description	d	L	B	H	d2	f ±0.2	h1	h2	l1	l2	l3	l4	s	C#	F1* [Nm]	M1** [N]	M2*** [Nm]	⚖️
600831-C9	TCC-AP-PBF-30-T-C9	30	40	75	100	6.5	60	8	33	54	45	27	42	M8	12	3300	33	100	142
600831-C33	TCC-AP-PBF-30-T-C33	30	40	75	100	6.5	60	8	33	54	45	27	42	M8	12	3300	33	100	142

TCC-AP-PBF-S

STAINLESS STEEL

Code	Description	d	L	B	H	d2	f ±0.2	h1	h2	l1	l2	l3	l4	s	C#	F1* [Nm]	M1** [N]	M2*** [Nm]	⚖️
600832-C9	TCC-AP-PBF-30-S-C9	30	40	75	100	6.5	60	8	33	54	45	27	42	M8	12	3300	33	6	142
600832-C33	TCC-AP-PBF-30-S-C33	30	40	75	100	6.5	60	8	33	54	45	27	42	M8	12	3300	33	6	142

Suggested torque for screw assembly.

* Resistance to tube pull out

** Resistance to tube rotation

*** Resistance to joint rotation.

Hinged joint with mounting base and clamp

Technopolymer

CLAMP AND BASE

Glass-fibre reinforced polyamide based (PA) technopolymer, RAL 9005 (C9) black colour or grey RAL 7040 (C33) colour, matte finish.

SCREWS AND NUTS (SUPPLIED)

Cylindrical-head screw with hexagon socket in AISI 304 stainless steel with anti-seizure treatment.

Self-locking nuts in AISI 304 stainless steel.

STANDARD EXECUTIONS

- **TCC-TP-PBF-T**: with teeth.
- **TCC-TP-PBF-S**: without teeth.

FEATURES

Joints comprising bases with external teeth and clamps with internal teeth (36 teeth) have a 10° adjustment angle.

Joints comprising bases and clamps without teeth can be positioned at any angle.

Clamps for tubes with a diameter of 30 ± 0.2 mm.

For smaller diameter tubes, the hole reduction sleeve can be used TCC-A (to be ordered separately).

The "s" grub screws may be replaced by the kit TCC-KS.

TECHNICAL DATA

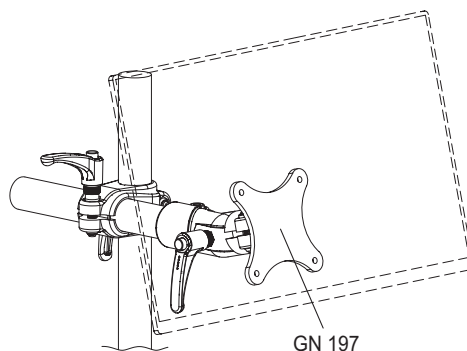
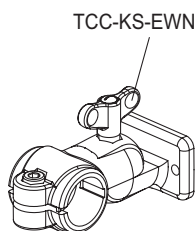
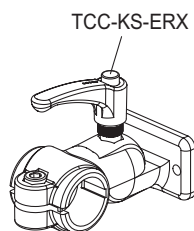
The resistance values shown in the table were measured during laboratory tests at ambient temperature with the screws tightened to the maximum torque "C#".

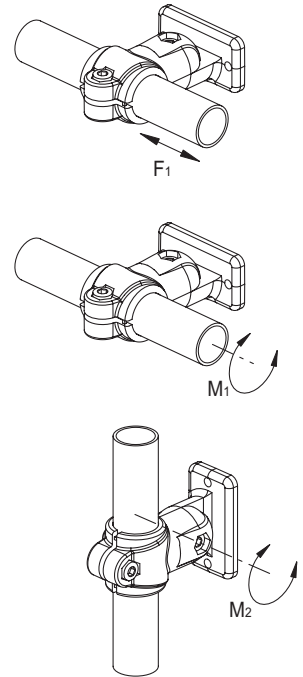
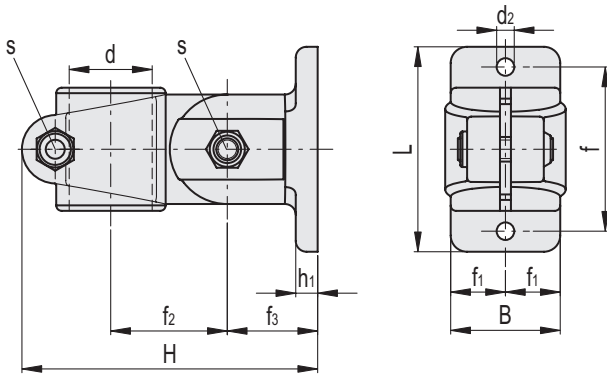
ACCESSORIES ON REQUEST (TO BE ORDERED SEPARATELY)

- TCC-A (see page 32): reduction sleeves.
- TCC-KS (see page 34): clamping kit.
- GN 197: monitor mounts.
- TCC-KV (see page 35): screws and clamping nuts.
- GN 990: connecting tubes.



ELESA Original design





TCC-TP-PBF-T

STAINLESS STEEL

Code	Description	d	L	B	H	d2	f ±0.2	f1	f2	f3	h1	s	C#	F1*	M1**	M2***	⚖	
							[Nm]	[N]	[Nm]	[Nm]			[Nm]	[N]	[Nm]	[Nm]		
600851-C9	TCC-TP-PBF-30-T-C9	30	75	40	108	6.5	60	20	42	33	8	M8	12	3000	33	100	145	
600851-C33	TCC-TP-PBF-30-T-C33	30	75	40	108	6.5	60	20	42	33	8	M8	12	3000	33	100	145	

TCC-TP-PBF-S

STAINLESS STEEL

Code	Description	d	L	B	H	d2	f ±0.2	f1	f2	f3	h1	s	C#	F1*	M1**	M2***	⚖	
							[Nm]	[N]	[Nm]	[Nm]			[Nm]	[N]	[Nm]	[Nm]		
600852-C9	TCC-TP-PBF-30-S-C9	30	75	40	108	6.5	60	20	42	33	8	M8	12	3000	33	4	145	
600852-C33	TCC-TP-PBF-30-S-C33	30	75	40	108	6.5	60	20	42	33	8	M8	12	3000	33	4	145	

Suggested torque for screw assembly.

* Resistance to tube pull out

** Resistance to tube rotation

*** Resistance to joint rotation.

Hinged joint with mounting base and clamp

Technopolymer

CLAMP AND BASE

Glass-fibre reinforced polyamide based (PA) technopolymer, RAL 9005 (C9) black colour or grey RAL 7040 (C33) colour, matte finish.

SCREWS AND NUTS (SUPPLIED)

Cylindrical-head screw with hexagon socket in AISI 304 stainless steel with anti-seizure treatment.

Self-locking nuts in AISI 304 stainless steel.

STANDARD EXECUTIONS

- **TCC-AP-PB-T**: with teeth.
- **TCC-AP-PB-S**: without teeth.

FEATURES

Joints comprising bases with external teeth and clamps with internal teeth (36 teeth) have a 10° adjustment angle.

Joints comprising bases and clamps without teeth can be positioned at any angle.

Clamps for tubes with a diameter of 30 ± 0.2 mm.

For smaller diameter tubes, the hole reduction sleeve can be used TCC-A (to be ordered separately).

The "s" grub screws may be replaced by the kit TCC-KS.

TECHNICAL DATA

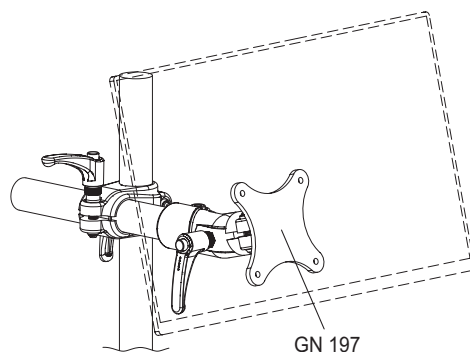
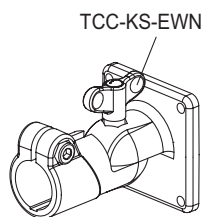
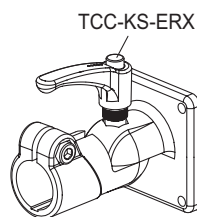
The resistance values shown in the table were measured during laboratory tests at ambient temperature with the screws tightened to the maximum torque "C#".

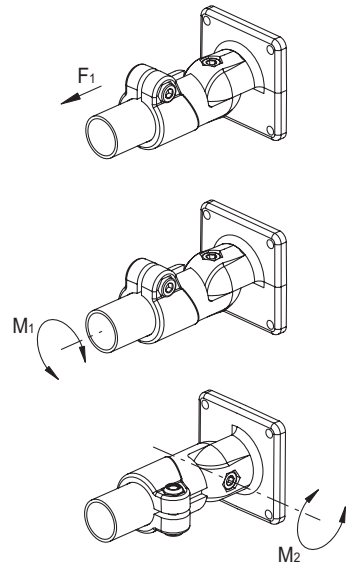
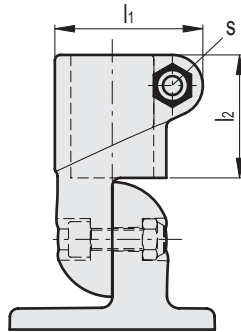
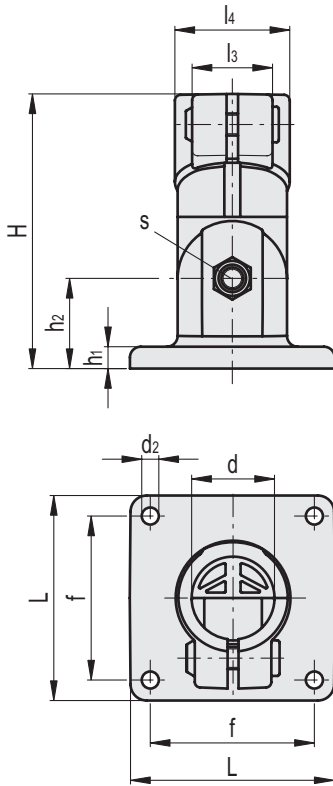
ACCESSORIES ON REQUEST (TO BE ORDERED SEPARATELY)

- TCC-A (see page 32): reduction sleeves.
- TCC-KS (see page 34): clamping kit.
- GN 197: monitor mounts.
- TCC-KV (see page 35): screws and clamping nuts.
- GN 990: connecting tubes.



ELESA Original design





TCC-AP-PB-T

STAINLESS STEEL

Code	Description	d	L	H	d2	f ±0.2	h1	h2	l1	l2	l3	l4	s	C#	F1* [Nm]	M1** [N]	M2*** [Nm]	⚖
600821-C9	TCC-AP-PB-30-T-C9	30	75	100	6.5	60	8	33	54	45	27	42	M8	12	3300	33	100	157
600821-C33	TCC-AP-PB-30-T-C33	30	75	100	6.5	60	8	33	54	45	27	42	M8	12	3300	33	100	157

TCC-AP-PB-S

STAINLESS STEEL

Code	Description	d	L	H	d2	f ±0.2	h1	h2	l1	l2	l3	l4	s	C#	F1* [Nm]	M1** [N]	M2*** [Nm]	⚖
600822-C9	TCC-AP-PB-30-S-C9	30	75	100	6.5	60	8	33	54	45	27	42	M8	12	3300	33	6	157
600822-C33	TCC-AP-PB-30-S-C33	30	75	100	6.5	60	8	33	54	45	27	42	M8	12	3300	33	6	157

Suggested torque for screw assembly.

* Resistance to tube pull out

** Resistance to tube rotation

*** Resistance to joint rotation.

Hinged joint with mounting base and clamp

Technopolymer

CLAMP AND BASE

Glass-fibre reinforced polyamide based (PA) technopolymer, RAL 9005 (C9) black colour or grey RAL 7040 (C33) colour, matte finish.

SCREWS AND NUTS (SUPPLIED)

Cylindrical-head screw with hexagon socket in AISI 304 stainless steel with anti-seizure treatment.

Self-locking nuts in AISI 304 stainless steel.

STANDARD EXECUTIONS

- **TCC-TP-PB-T**: with teeth.
- **TCC-TP-PB-S**: without teeth.

FEATURES

Joints comprising bases with external teeth and clamps with internal teeth (36 teeth) have a 10° adjustment angle.

Joints comprising bases and clamps without teeth can be positioned at any angle.

Clamps for tubes with a diameter of 30 ± 0.2 mm.

For smaller diameter tubes, the hole reduction sleeve can be used TCC-A (to be ordered separately).

The "s" grub screws may be replaced by the kit TCC-KS.

TECHNICAL DATA

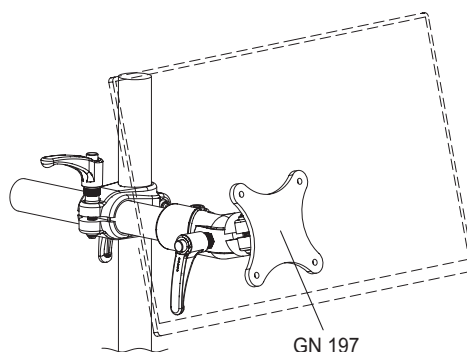
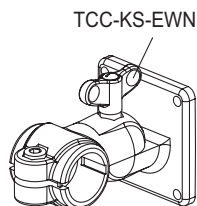
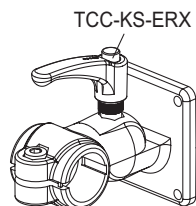
The resistance values shown in the table were measured during laboratory tests at ambient temperature with the screws tightened to the maximum torque "C#".

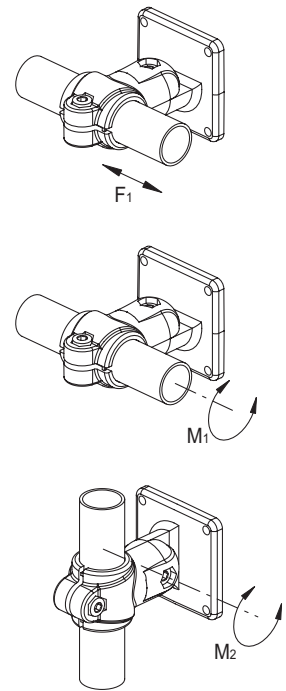
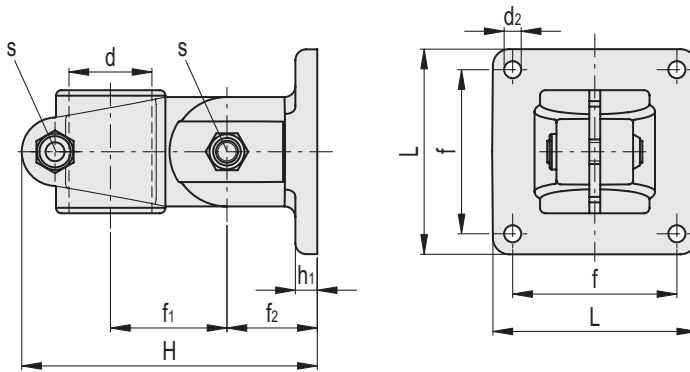
ACCESSORIES ON REQUEST (TO BE ORDERED SEPARATELY)

- TCC-A (see page 32): reduction sleeves.
- TCC-KS (see page 34): clamping kit.
- GN 197: monitor mounts.
- TCC-KV (see page 35): screws and clamping nuts.
- GN 990: connecting tubes.



ELESA Original design





TCC-TP-PB-T

STAINLESS STEEL

Code	Description	d	L	H	d2	f ±0.2	f1	f2	h1	s	C#	F1* [Nm]	M1** [N]	M2*** [Nm]	⚖️
600841-C9	TCC-TP-PB-30-T-C9	30	75	108	65	60	42	33	8	M8	12	3000	33	100	160
600841-C33	TCC-TP-PB-30-T-C33	30	75	108	65	60	42	33	8	M8	12	3000	33	100	160

TCC-TP-PB-S

STAINLESS STEEL

Code	Description	d	L	H	d2	f ±0.2	f1	f2	h1	s	C#	F1* [Nm]	M1** [N]	M2*** [Nm]	⚖️
600842-C9	TCC-TP-PB-30-S-C9	30	75	108	65	60	42	33	8	M8	12	3000	33	4	160
600842-C33	TCC-TP-PB-30-S-C33	30	75	108	65	60	42	33	8	M8	12	3000	33	4	160

Suggested torque for screw assembly.

* Resistance to tube pull out

** Resistance to tube rotation

*** Resistance to joint rotation.

Hinged joints with clamps

Technopolymer

CLAMPS

Glass-fibre reinforced polyamide based (PA) technopolymer, RAL 9005 (C9) black colour or grey RAL 7040 (C33) colour, matte finish.

SCREWS AND NUTS (SUPPLIED)

Cylindrical-head screw with hexagon socket in AISI 304 stainless steel with anti-seizure treatment.
Self-locking nuts in AISI 304 stainless steel.

STANDARD EXECUTIONS

- **TCC-AP-AP-T**: with teeth.
- **TCC-AP-AP-S**: without teeth.

FEATURES

Joints comprising clamps with external/internal teeth (36 teeth) have a 10° adjustment angle.

Joints comprising clamps without teeth can be positioned at any angle.

Clamps for tubes with a diameter of 30 ± 0.2 mm.

For smaller diameter tubes, the hole reduction sleeve can be used TCC-A (to be ordered separately).

The "s" grub screws may be replaced by the kit TCC-KS.



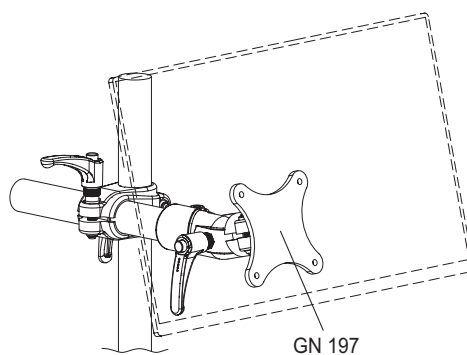
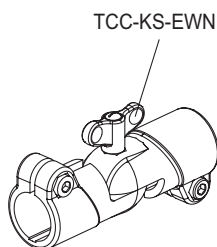
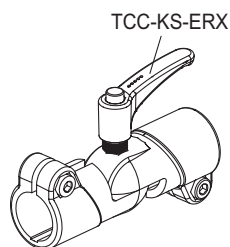
ELESA Original design

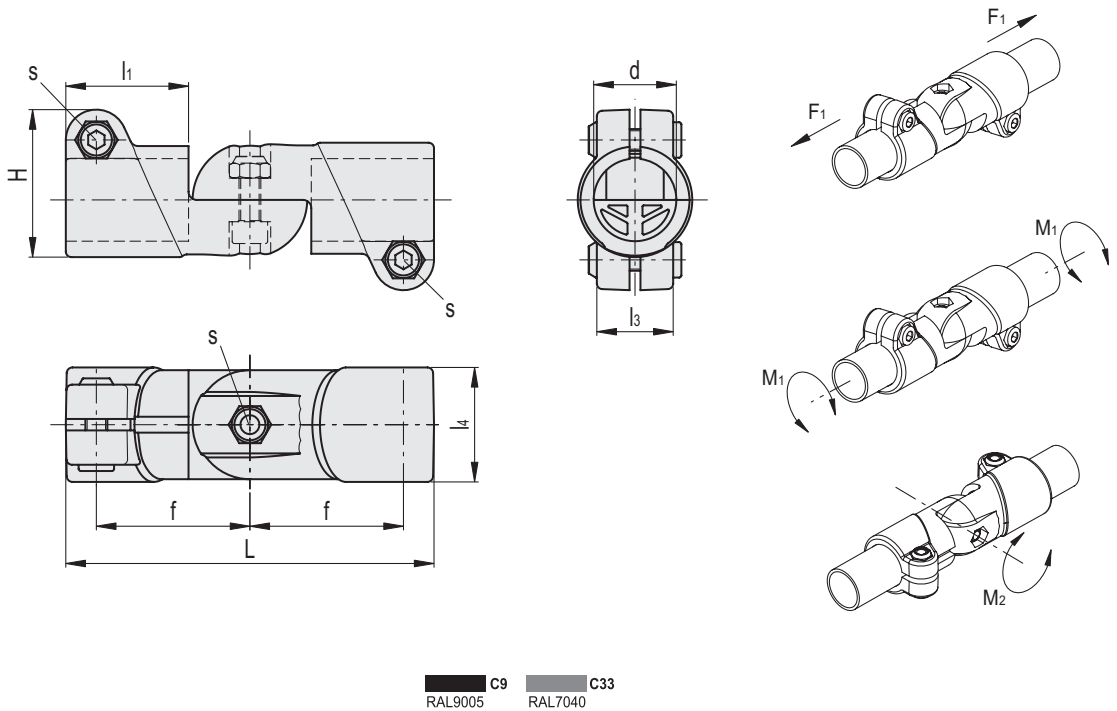
TECHNICAL DATA

The resistance values shown in the table were measured during laboratory tests at ambient temperature with the screws tightened to the maximum torque "C#".

ACCESSORIES ON REQUEST (TO BE ORDERED SEPARATELY)

- TCC-A (see page 32): reduction sleeves.
- TCC-KS (see page 34): clamping kit.
- GN 197: monitor mounts.
- TCC-KV (see page 35): screws and clamping nuts.
- GN 990: connecting tubes.





TCC-AP-AP-T

STAINLESS STEEL

Code	Description	d	L	H	f	l1	l3	l4	s	C# [Nm]	F1* [N]	M1** [Nm]	M2*** [Nm]	⚖️
600801-C9	TCC-AP-AP-30-T-C9	30	135	54	56	45	27	42	M8	12	3300	33	140	178
600801-C33	TCC-AP-AP-30-T-C33	30	135	54	56	45	27	42	M8	12	3300	33	140	178

TCC-AP-AP-S

STAINLESS STEEL

Code	Description	d	L	H	f	l1	l3	l4	s	C# [Nm]	F1* [N]	M1** [Nm]	M2*** [Nm]	⚖️
600802-C9	TCC-AP-AP-30-S-C9	30	135	54	56	45	27	42	M8	12	3300	33	6	178
600802-C33	TCC-AP-AP-30-S-C33	30	135	54	56	45	27	42	M8	12	3300	33	6	178

Suggested torque for screw assembly.

* Resistance to tube pull out

** Resistance to tube rotation

*** Resistance to joint rotation.

Hinged joints with clamps

Technopolymer

CLAMPS

Glass-fibre reinforced polyamide based (PA) technopolymer, RAL 9005 (C9) black colour or grey RAL 7040 (C33) colour, matte finish.

SCREWS AND NUTS (SUPPLIED)

Cylindrical-head screw with hexagon socket in AISI 304 stainless steel with anti-seizure treatment.

Self-locking nuts in AISI 304 stainless steel.

STANDARD EXECUTIONS

- **TCC-AP-TP-T**: with teeth.
- **TCC-AP-TP-S**: without teeth.

FEATURES

Joints comprising clamps with external/internal teeth (36 teeth) have a 10° adjustment angle.

Joints comprising clamps without teeth can be positioned at any angle.

Clamps for tubes with a diameter of 30 ± 0.2 mm.

For smaller diameter tubes, the hole reduction sleeve can be used TCC-A (to be ordered separately).

The "s" grub screws may be replaced by the kit TCC-KS.



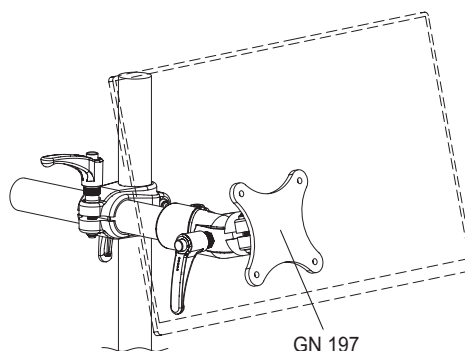
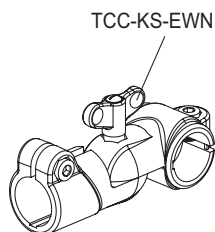
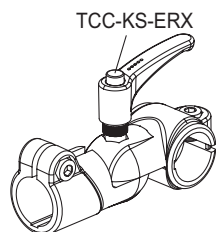
ELESA Original design

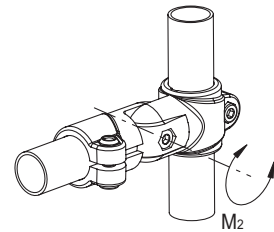
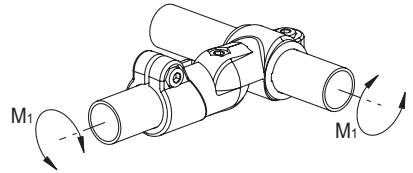
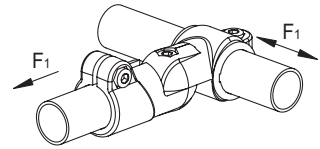
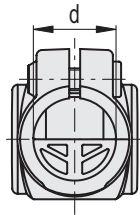
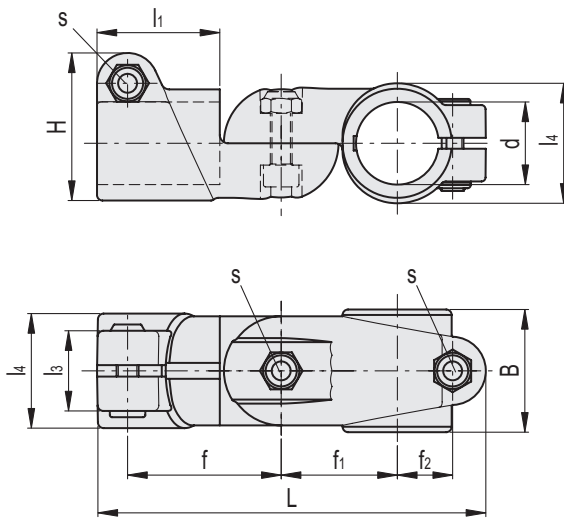
TECHNICAL DATA

The resistance values shown in the table were measured during laboratory tests at ambient temperature with the screws tightened to the maximum torque "C#".

ACCESSORIES ON REQUEST (TO BE ORDERED SEPARATELY)

- TCC-A (see page 32): reduction sleeves.
- TCC-KS (see page 34): clamping kit.
- GN 197: monitor mounts.
- TCC-KV (see page 35): screws and clamping nuts.
- GN 990: connecting tubes.





TCC-AP-TP-T

STAINLESS STEEL

Code	Description	d	L	B	H	f	f1	f2	l1	l3	l4	s	C# [Nm]	F1* [N]	M1** [Nm]	M2*** [Nm]	⚖️
600811-C9	TCC-AP-TP-30-T-C9	30	142	44.5	54	56	42	20.5	45	27	44	M8	12	3000	33	120	181
600811-C33	TCC-AP-TP-30-T-C33	30	142	44.5	54	56	42	20.5	45	27	44	M8	12	3000	33	120	181

TCC-AP-TP-S

STAINLESS STEEL

Code	Description	d	L	B	H	f	f1	f2	l1	l3	l4	s	C# [Nm]	F1* [N]	M1** [Nm]	M2*** [Nm]	⚖️
600812-C9	TCC-AP-TP-30-S-C9	30	142	44.5	54	56	42	20.5	45	27	44	M8	12	3000	33	4	181
600812-C33	TCC-AP-TP-30-S-C33	30	142	44.5	54	56	42	20.5	45	27	44	M8	12	3000	33	4	181

Suggested torque for screw assembly.

* Resistance to tube pull out

** Resistance to tube rotation

*** Resistance to joint rotation.

Hole reduction sleeve

for TCC clamps, technopolymer

MATERIAL

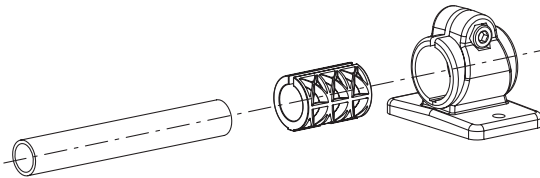
Glass-fibre reinforced polyamide based (PA) technopolymer, RAL 9005 (C9) black colour or grey RAL 7040 (C33) colour, matte finish.

FEATURES

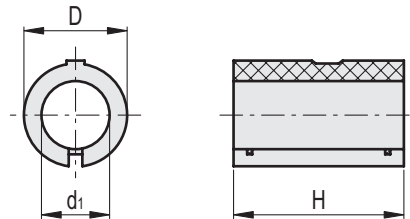
Hole reduction sleeve for tubes with diameter " d_1 " \pm 0.2 mm.
The hole reduction sleeve fits into the housing hole of the TCC clamps so that smaller diameter tubes can be used.

TECHNICAL DATA

The resistance values shown in the table were measured during laboratory tests at ambient temperature with the screws tightened to the maximum torque of 5 Nm for TCC-A-18 and 12 Nm for TCC-A-30.



ELESA Original design



Code	Description	Code	Description	D	H	d1	
600101-C9	TCC-A-18-12-C9	600101-C33	TCC-A-18-12-C33	18	29	12	5
600102-C9	TCC-A-18-14-C9	600102-C33	TCC-A-18-14-C33	18	29	14	4
600103-C9	TCC-A-18-15-C9	600103-C33	TCC-A-18-15-C33	18	29	15	4
600104-C9	TCC-A-18-16-C9	600104-C33	TCC-A-18-16-C33	18	29	16	3
600201-C9	TCC-A-30-20-C9	600201-C33	TCC-A-30-20-C33	30	45	20	15
600202-C9	TCC-A-30-25-C9	600202-C33	TCC-A-30-25-C33	30	45	25	10

Resistance to tube pull-out (F1) and rotation (M1) with the hole reduction sleeves inserted in the different types of clamps

	TCC-AB		TCC-CR		TCC-SL		TCC-TB		TCC-TS	
	F1 [N]	M1 [Nm]	F1 [N]	M1 [Nm]	F1 [N]	M1 [Nm]	F1 [N]	M1 [Nm]	F1 [N]	M1 [Nm]
TCC-A-18-12	900	5	1250	5	900	5	900	5	900	5
TCC-A-18-14	1000	7	1650	10	1400	7	1050	8	1200	7
TCC-A-18-15	1000	7	1650	14	1400	10	1100	13	1200	11
TCC-A-18-16	1050	7	2000	14	1300	11	1200	14	1250	12
TCC-A-30-20	1000	8	1000	5	1000	6	1150	7	1000	6
TCC-A-30-25	1350	11	1300	7	1300	7	1600	7	1400	7

	TCC-AP		TCC-TP		TCC-AP-AP		TCC-AP-PB	
	F1 [N]	M1 [Nm]	F1 [N]	M1 [Nm]	F1 [N]	M1 [Nm]	F1 [N]	M1 [Nm]
TCC-A-30-20	1600	12	1600	12	1600	12	1600	12
TCC-A-30-25	2700	15	2700	15	2700	15	2700	15

	TCC-AP-PBF		TCC-AP-TP		TCC-TP-PB		TCC-TP-PBF	
	F1 [N]	M1 [Nm]	F1 [N]	M1 [Nm]	F1 [N]	M1 [Nm]	F1 [N]	M1 [Nm]
TCC-A-30-20	1600	12	1600	12	1600	12	1600	12
TCC-A-30-25	2700	15	2700	15	2700	15	2700	15

Clamping kit for TCC

Technopolymer

ADJUSTABLE HANDLE AND WING NUT

Glass-fibre reinforced polyamide based (PA) technopolymer, grey-black colour, matte finish.

DISTANCE BUSHING

Glass-fibre reinforced polyamide based (PA) technopolymer, black colour, matte finish.

SELF-LOCKING NUT

AISI 304 stainless steel.

STANDARD EXECUTIONS

- **TCC-KS-ERX**: adjustable handle with AISI 303 stainless steel threaded stud, chamfered flat end UNI 947 : ISO 4753, with black push button.
- **TCC-KS-EWN**: wing nuts with AISI 303 stainless steel threaded stud, chamfered flat end UNI 947 : ISO 4753, with black cap.

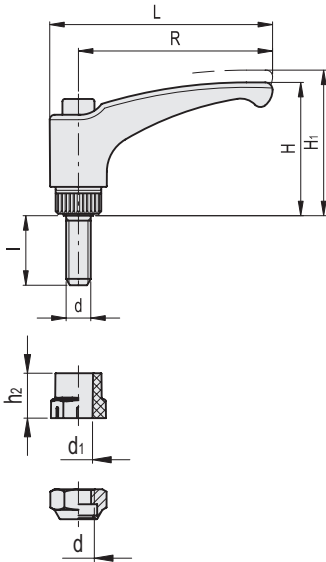
FEATURES AND APPLICATIONS

The clamping kit for TCC, comprising a distance bushing, an adjustable handle or a wing nut and nut, is used when clamping operations are required.

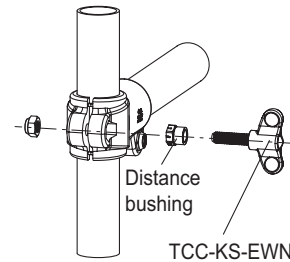
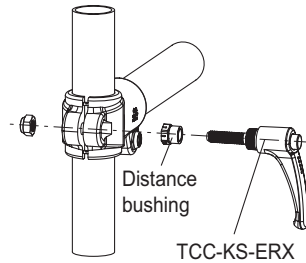
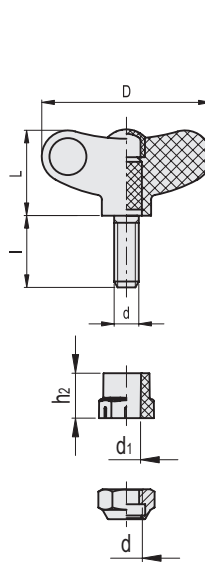


ELESA Original design

TCC-KS-ERX



TCC-KS-EWN



TCC-KS-ERX

STAINLESS STEEL

Code	Description	d	R	L	H	H1	d1	h2	l	For TCC	⚖
600509-C1	TCC-KS-ERX.30-SST-p-M6x30-C1	M6	30	37.5	30	33.5	6,3	8	30	TCC-18	21
600519-C1	TCC-KS-ERX.44-SST-p-M6x30-C1	M6	44	52	32.5	36	6,3	8	30	TCC-18	23
600525-C1	TCC-KS-ERX.63-SST-p-M6x30-C1	M6	63	72.5	43	47	6,3	8	30	TCC-18	25
600541-C1	TCC-KS-ERX.63-SST-p-M8x40-C1	M8	63	72.5	43	47	8,3	12	40	TCC-30	47
600557-C1	TCC-KS-ERX.78-SST-p-M8x40-C1	M8	78	89.5	54	58	8,3	12	40	TCC-30	56

TCC-KS-EWN

STAINLESS STEEL

Code	Description	d	D	L	d1	h2	l	For TCC	⚖
600607-C1	TCC-KS-EWN.48-SST-p-M6x30-C1	M6	47	24	6,3	8	30	TCC-18	18
600619-C1	TCC-KS-EWN.55-SST-p-M8x40-C1	M8	55	28	8,3	12	40	TCC-30	36

Screws and nuts for TCC

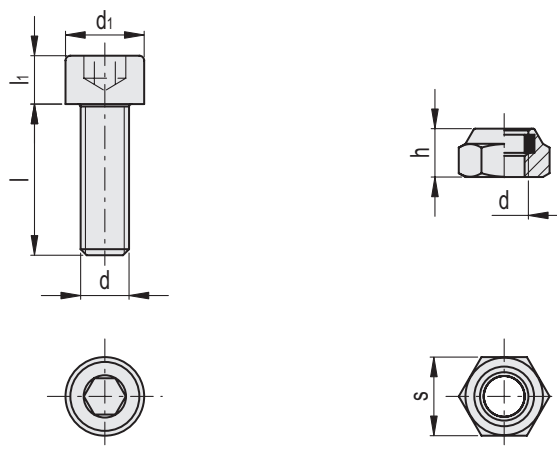
Stainless steel

MATERIAL

AISI 304 stainless steel.

STANDARD EXECUTION

Cylindrical-head screw with hexagon socket with anti-seizure treatment and self-locking nut.



STAINLESS STEEL

Code	Description	d	d1	h	l	l1	s	⚖
600706	TCC-KV-M6	M6	10	6	18	6	10	8
600708	TCC-KV-M8	M8	13	8	25	8	13	19



Find out more on [elesa-ganter.com](https://www.elesa-ganter.com)

ELESA S.p.A.
Via Pompei 29
20900 Monza (MB)
Italy
+39 039 28 11 1
info@elesa.com
[elesa.com](https://www.elesa.com)

OTTO GANTER GmbH & Co. KG
Triburger Straße 3
78120 Furtwangen
Germany
+49 7723 65 07 0
info@ganternorm.com
[ganternorm.com](https://www.ganternorm.com)



DESIGNED
FOR ENGINEERING