

M3 Compression System

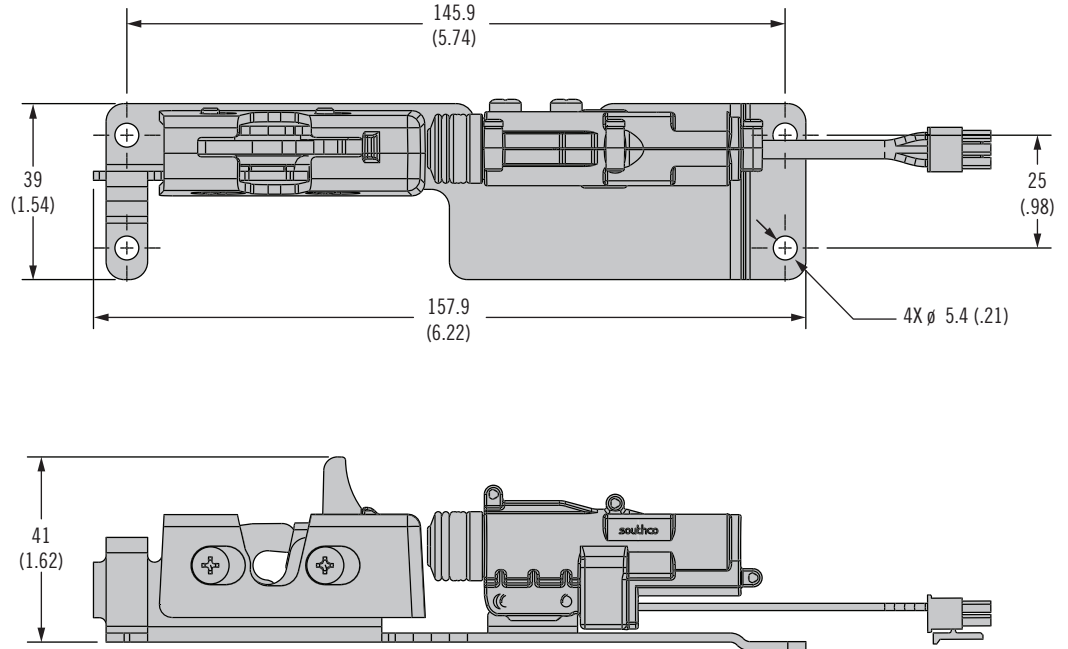
Electronic Lock

- Electronically controlled locking
- Sealed for outdoor use
- Retrofit existing M3 systems without disassembly

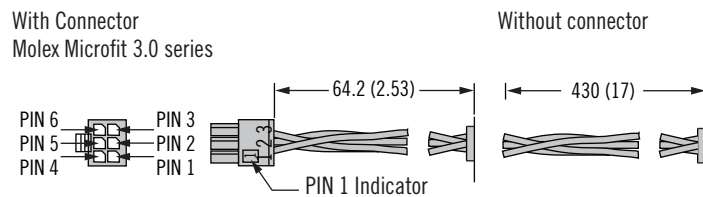
Wire Color Code / Connector Pin Assignment:

- PIN 1: Extend (+), Orange Wire
- PIN 2: Retract (+), Red Wire
- PIN 3: Ground (-), Black Wire
- PIN 4: Not used
- PIN 5: Not used
- PIN 6: Not used

Electronic Rotary Latch Mechanism



Latch Wiring Connections



Part Number

Latch Mechanism: See table

Striker: M3-58

Order latch and striker separately

Part Number Selection

R4 - 05 - 2 B - 4E C 1 - 20

B Base Mounting Style

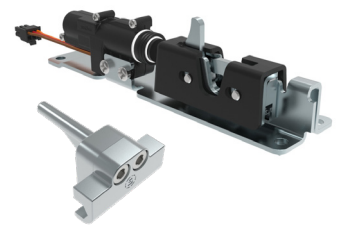
- 0** Thru holes
- 5** Adhesive backing

C Connector Options

- B** 12V, with connector
- F** 5V, with connector
- K** 12V, without connector
- P** 5V, without connector

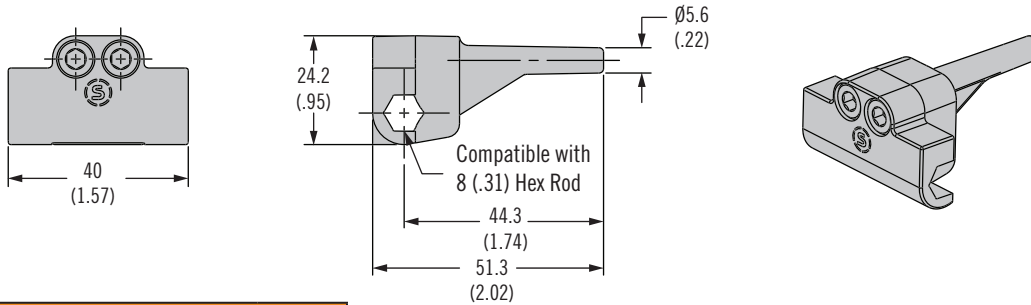


M3 Compression System Electronic Lock



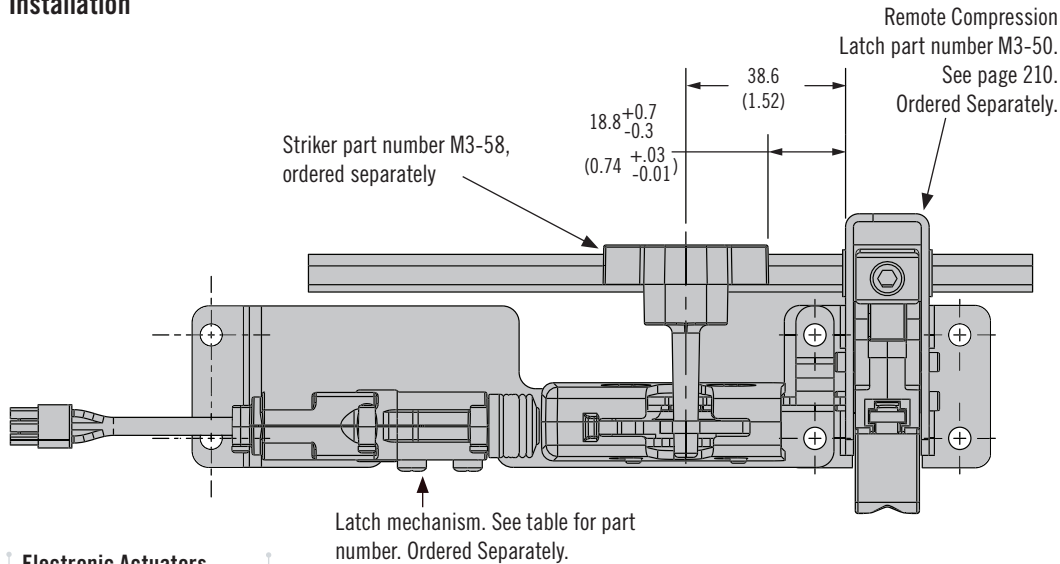
215B

Hexagonal Rod Striker



Part Number	
Hexagonal Rod Striker	M3-58

Installation



Material and Finish

Latch Mechanism

Housing: Stainless Steel

Cam, trigger: Stainless Steel

Springs: Steel, zinc plated

Pins: Stainless Steel

Electronic Actuator

Enclosure, Output Cam: Nylon, Acetal

House Assembly Screws: Stainless Steel

Striker: Zinc, Chromate sealer

Electronic Specifications

Supply Voltage: 5 or 12VDC

Operating Current:

Less than 300 mA

Operating Temperature:

-20°C - 60°C

Operating Humidity: 85% max

No condensation

Notes:

Connector version uses Molex brand Microfit 3.0

Visit southco.com to download further installation and operation details.

Electronic Actuators

See page 48

