

A5 Rod System

Electronic Lock · Round Rods

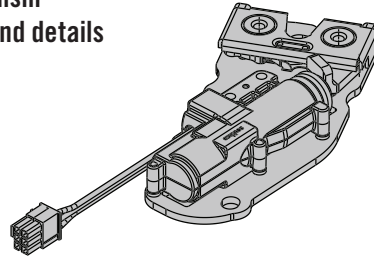
- Electronically prevents rods from moving
- Sealed for outdoor use
- Retrofit existing rod systems without disassembly
- Minimal power draw

Material and Finish

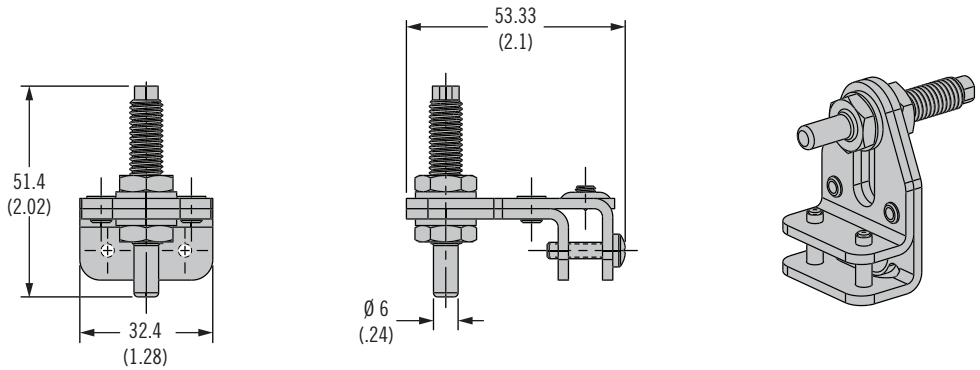
Striker: Steel, zinc plate
 Latch Mechanism: See page 36A

Electronic Rotary Latch Mechanism

See page 36A for part number and details



Round Rod Striker



Part Number	
Round Rod Striker	A5-95-102

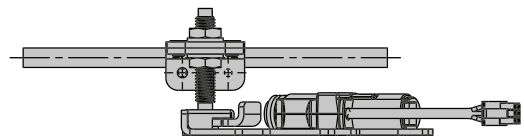
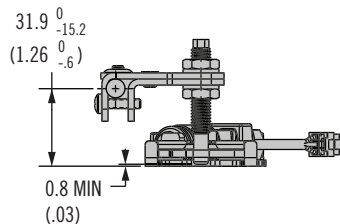
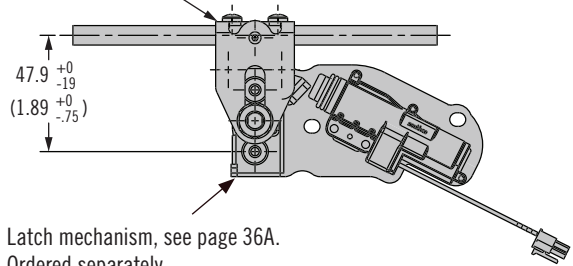
Part Number

Latch Mechanism: See page 36A
 Striker: A5-95-102

Order latch and striker separately

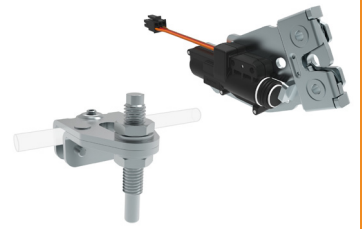
Installation

Striker part number A5-95-102,
 ordered separately



A5 Rod System

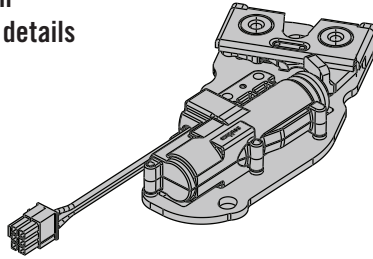
Electronic Lock · Flat Rods



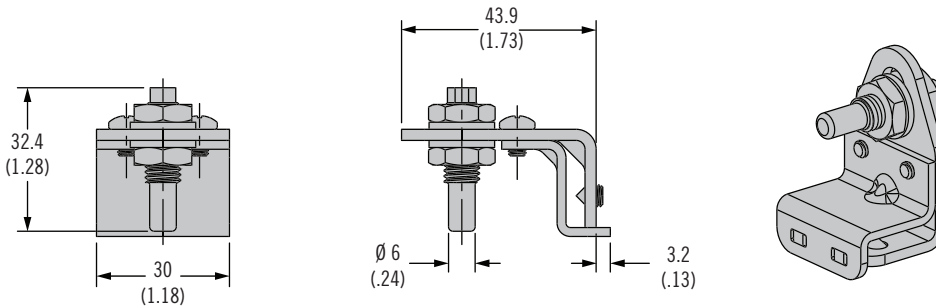
233B

Electronic Rotary Latch Mechanism

See page 36A for part number and details



Flat Rod Striker



- Electronically prevents rods from moving
- Sealed for outdoor use
- Retrofit existing rod systems without disassembly
- Minimal power draw

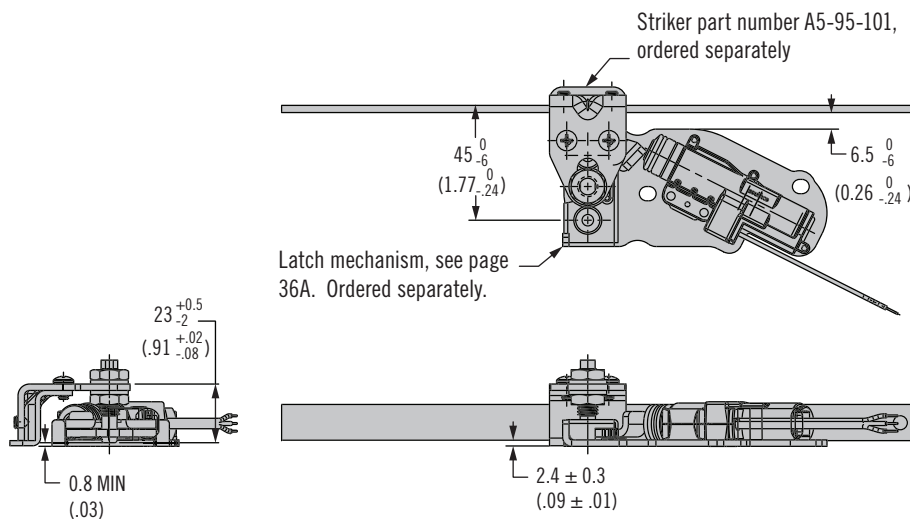
Material and Finish

Striker: Steel, zinc plate

Latch Mechanism: See page 36A

Part Number	
Flat Rod Striker	A5-95-101

Installation



Part Number

Latch Mechanism: See page 36A

Striker: A5-95-101

Order latch and striker separately