

## Breather caps

with valve and splash guard, for high pressure, technopolymer

### MATERIAL

Polyamide based (PA) technopolymer:  
Cover: RAL 2004 orange, semi-matte finish, with graphic symbol "valve".  
Threaded fitting with splash guard: black, semi-matte finish.

### PACKING RING

NBR synthetic rubber flat washer.

### OVERPRESSURE VALVE

Technopolymer with NBR synthetic rubber O-ring.  
Stainless steel spring, set at around 0.350 bar or 0.700 bar.

### MAXIMUM CONTINUOUS WORKING TEMPERATURE

100° C.

### STANDARD EXECUTIONS

- **SFV-AP-350MB**: valve opens when pressure exceeds 0.35 bar (set at 350 mb).
- **SFV-AP-700MB**: valve opens when pressure exceeds 0.700 bar (set at 700 mb).

### FEATURES AND APPLICATIONS

SFV-AP valve breather caps are particularly suitable for all those applications (speed reducers, variators or compressors) when the internal air pressure must not exceed a certain value (350 or 700 mb).

In these cases, the safety valve of the cap allows the expulsion of the exceeding air in the reservoir, thus re-establishing the pressure values for which the valve is set.

Valve (closed in normal pressure conditions) prevents dust from getting in and oil-losses.

SFV-AP breather caps are made with a special internal geometry which stops the leakage of the fluid to the outside, even in the most critical cases of strong fluid projections.

### TECHNICAL DATA

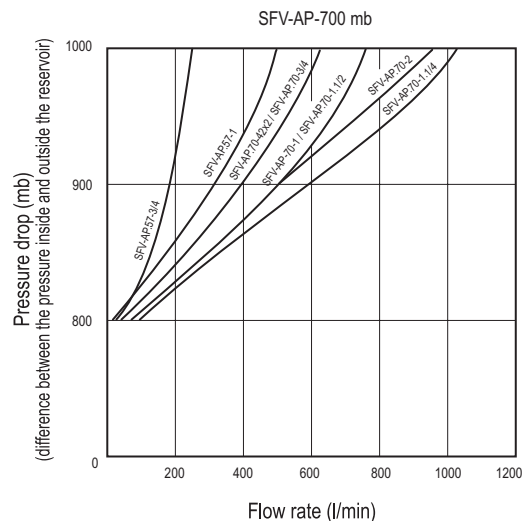
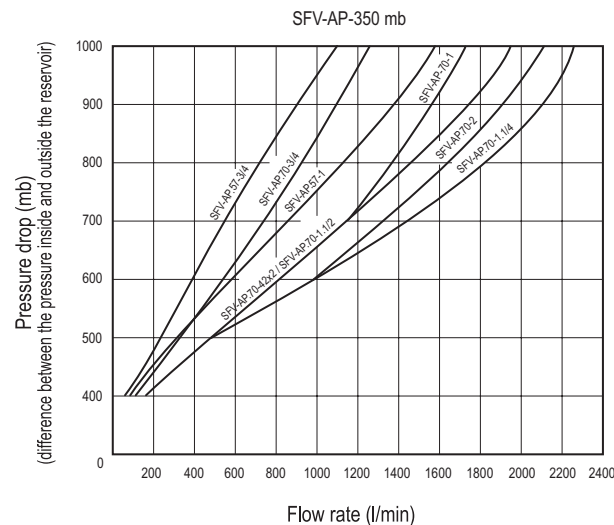
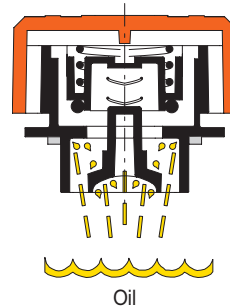
Air flow rate for the different executions of breather caps can be obtained from the diagram on the basis of the difference of air pressure inside and outside the reservoir.

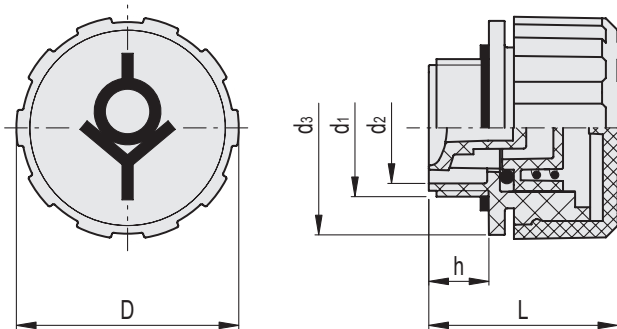
### SPECIAL EXECUTIONS ON REQUEST

- Black colour cover.
- Version with flat dipstick.



ELESA Original design





SFV-AP-350MB

Code	Description	D	L	d1	d2	d3	h	△
54571	SFV-AP.57-G3/4-350MB	57	47.5	G 3/4	19	56	13	89
54573	SFV-AP.57-G1-350MB	57	47.5	G 1	26.5	56	13	90
54575	SFV-AP.70-M42x2-350MB	70	59	M42x2	33.5	68.5	17	93.5
54577	SFV-AP.70-G3/4-350MB	70	59	G 3/4	20.5	68.5	17	89
54579	SFV-AP.70-G1-350MB	70	59	G 1	26.5	68.5	17	90
54581	SFV-AP.70-G1.1/4-350MB	70	59	G 1.1/4	33.5	68.5	17	95.5
54583	SFV-AP.70-G1.1/2-350MB	70	59	G 1.1/2	40.5	68.5	17	93.5
54585	SFV-AP.70-G2-350MB	70	59	G 2	51	68.5	17	99.5

SFV-AP-700MB

Code	Description	D	L	d1	d2	d3	h	△
54572	SFV-AP.57-G3/4-700MB	57	47.5	G 3/4	19	56	13	89.5
54574	SFV-AP.57-G1-700MB	57	47.5	G 1	26.5	56	13	90.5
54576	SFV-AP.70-M42x2-700MB	70	59	M42x2	33.5	68.5	17	94
54578	SFV-AP.70-G3/4-700MB	70	59	G 3/4	20.5	68.5	17	89.5
54580	SFV-AP.70-G1-700MB	70	59	G 1	26.5	68.5	17	90.5
54582	SFV-AP.70-G1.1/4-700MB	70	59	G 1.1/4	33.5	68.5	17	96
54584	SFV-AP.70-G1.1/2-700MB	70	59	G 1.1/2	40.5	68.5	17	94
54586	SFV-AP.70-G2-700MB	70	59	G 2	51	68.5	17	100

