



# R4 Rotary Latch

Medium · Concealed · External Rotor · Two stage

- Compatible with a wide array of actuators
- External rotor for concealed mounting
- Two stage latching

### Material and Finish

Steel, zinc plated

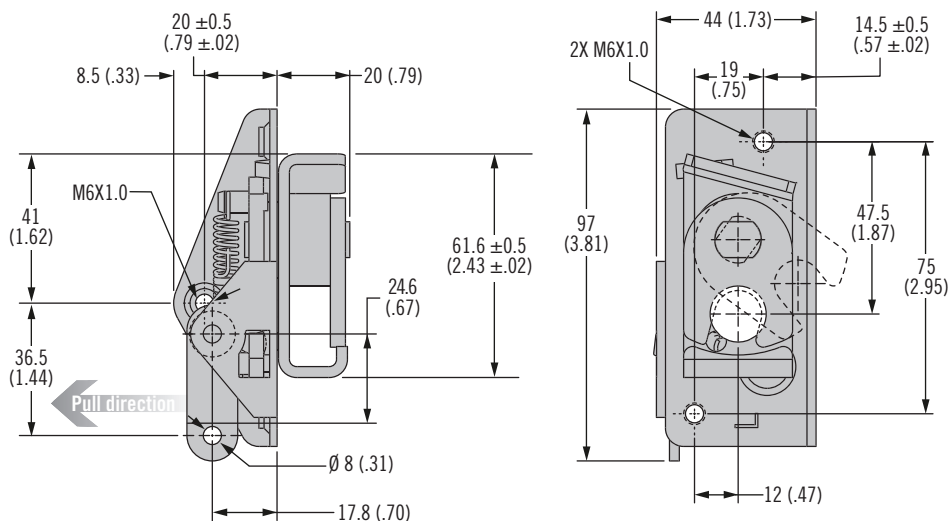
### Accessories

Retainer clip AC-9BX-20-34  
see page 275

### Notes

Electromechanical rotary latch  
available see page 23

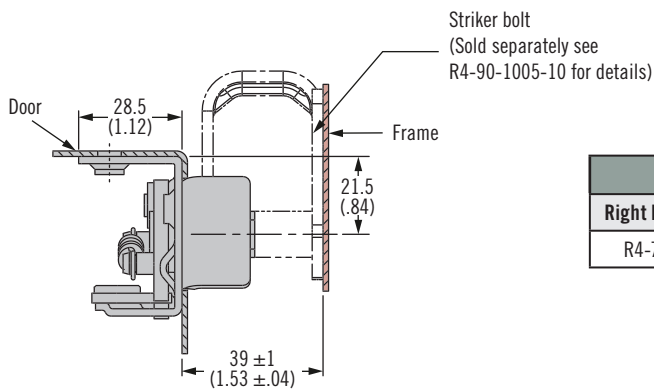
### Two Stage (Left hand actuation shown)



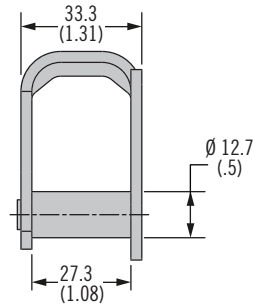
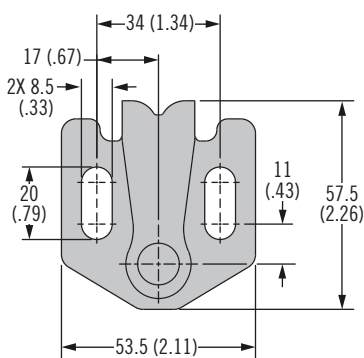
### Part Number

See table

Order latch and striker separately



Part Number	
Right Hand Actuation	Left Hand Actuation
R4-75-32-201-10	R4-72-42-201-10



Part Number
Striker
R4-90-1005-10

Dimensions in millimeters (inch) unless otherwise stated

