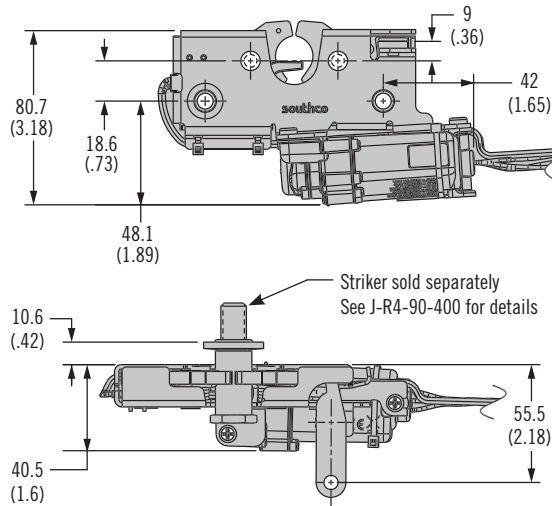




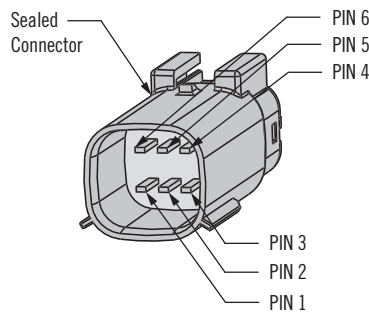
# R4 Rotary Latch

Heavy-Duty – Concealed – Electronic Operation and Door Sensing

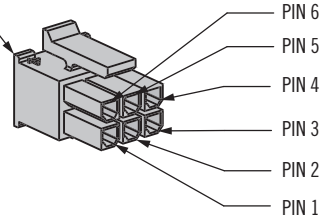
Latch with door sensor, 12V sealed electronic actuator  
(right hand actuation shown)



Connector options  
(See below)



Non-Sealed Connector



Connector Pinout		
Pin	Wire Color	Function
1	Brown	Ground
2	Red	Power release
3	Orange	Power relock
4	Black	Switch common
5	Blue	Door secure
6	Grey	Door open



Enable wireless operation with Southco's **BLUETOOTH®** Controller

## Part Number Selection

**R4 - 50 - S I - 1 E 1 - 10**

- I** Stage & Actuation
  - 3 Two stage right hand
  - 4 Two stage left hand

- I** Mounting Style
  - 0 7.2 mm thru hole
  - 1 1/4-20 threaded
  - 2 M6 threaded

- E** Electronics
  - EA With switch and actuator, non-sealed connector
  - EB With switch and actuator, stripped & tinned wires
  - EC With switch and actuator, sealed connector

- High strength door retention (FMVSS 206)
- Sensor verifies door closure
- Exceptional cycle life
- Quick release
- Sealed actuator
- Releases reliably under high load

### Material and Finish

Latch: steel, zinc plate or zinc nickel plate  
Actuator: PC/ABS, acetal, silicone, buna seals

### Electronic specifications:

Operating voltage 12 VDC nominal  
Operating current < 600mA  
Temperature -40 to 80°C  
Sealed (IP65)

### Accessories

Striker Bolt Assembly (sold separately) R4-90-441-10  
Cables and retainer clips see pages 322-323



Dimensions in millimeters (inch) unless otherwise stated