



R4 Rotary Latch

Medium-Duty – Concealed

- Symmetrical design with cable mount simplifies installation
- Integrated bumper reduces noise and dampens vibration
- Front or side mount

Material and Finish

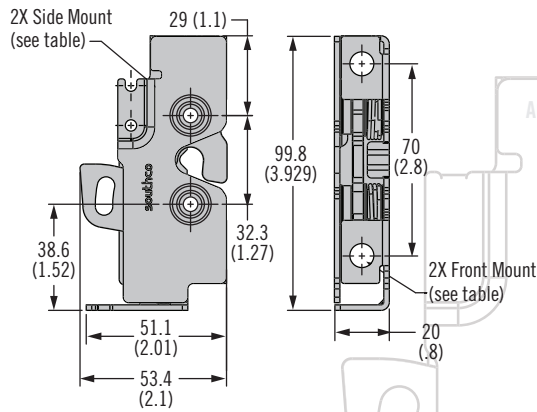
Steel, zinc plate or zinc nickel plate

Accessories

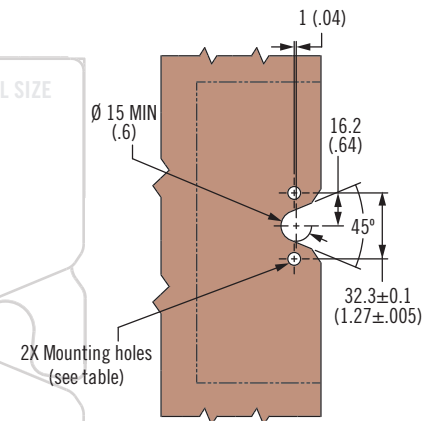
Strikers see page 297 for 9mm diameter (integrated bumper) solutions.

Cables and retainer clips see pages 322-323

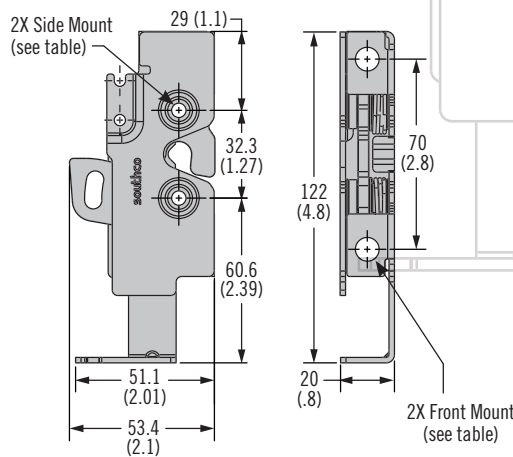
Latch with mount for cable without return assist spring



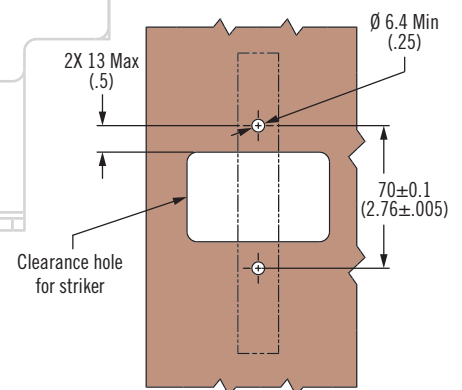
Panel preparation side mount



Latch with mount for cable with return assist spring



Panel preparation front mount



Part Number Selection

R4 - 25 - 2 **I** **0 - 500** **B** - **MM**

I Mounting Style

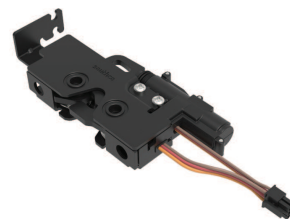
- 0 Side mount Ø6.7(.283) thru
- 1 Side mount 1/4-20 thread
- 2 Side mount M6 x 1 thread
- 3 Front mount (M6) with side mount Ø6.7(.283) thru

MM Material

- 10 Steel, zinc plated
- 15 Steel, black zinc nickel

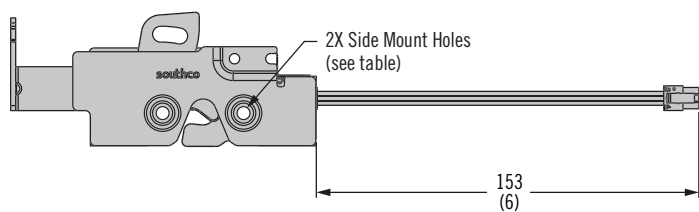
B Base Style

- 2 Mount for cable with return spring assist, no bumper
- 3 Mount for cable without return spring assist, no bumper
- 6 Mount for cable with return spring assist, with bumper
- 7 Mount for cable without return spring assist, with bumper



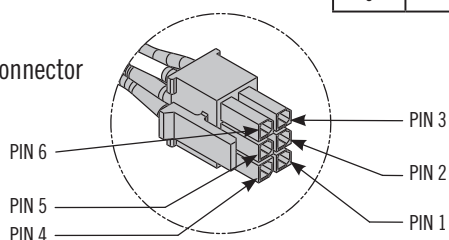
Latch with door sensor

(with mount for cable with return assist spring shown)



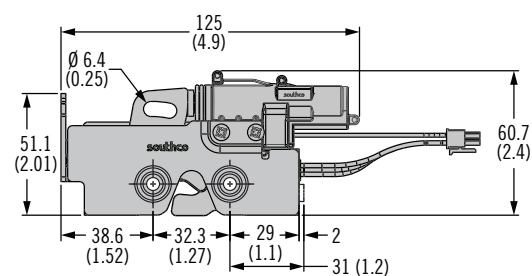
Switch Pin Out	
Pin	Function
1	No connect
2	No connect
3	No connect
4	Switch common
5	Door secure
6	Door open

Molex Micro-Fit 3.0 connector



Latch with door sensor and 12 V sealed electronic actuator

(with mount for cable without return assist spring shown)



Switch with Actuator Pin Out	
Pin	Function
1	Ground
2	Power release
3	Power relock
4	Switch common
5	Door secure
6	Door open

Enable wireless operation with Southco's **BLUETOOTH®** Controller



Part Number Selection

R4 - 25 - 2 I 0 - 5 1 E B - MM

I Mounting Style

- 0 Side mount Ø6.7(.283) thru
- 1 Side mount 1/4-20 thread
- 2 Side mount M6 x 1 thread
- 3 Front mount (M6) with side mount Ø6.7(.283) thru

E Electronic Actuation Options

- 0 None (latch with switch only)
- B 12VDC sealed (latch with switch and electronic actuator)

MM Material

- 10 Steel, zinc plated
- 15 Steel, black zinc nickel

B Base Style

- 2 Mount for cable with return spring assist, no bumper
- 3 Mount for cable without return spring assist, no bumper
- 6 Mount for cable with return spring assist, with bumper
- 7 Mount for cable without return spring assist, with bumper



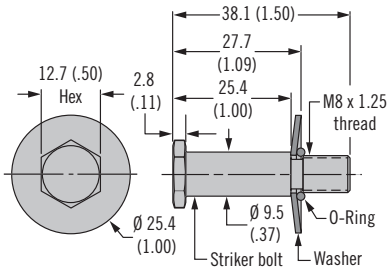
Dimensions in millimeters (inch) unless otherwise stated

R4 Rotary Latch

Striker bolt · Light-duty · Installation

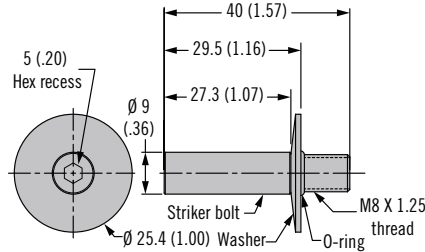


Striker Bolt Assembly - Standard (sold separately)



Striker Bolt Standard	
Part Number	Material
R4-90-121-10	Steel, Zinc Plated
R4-90-121-20	Stainless Steel

Striker Bolt Assembly - Integrated Bumper (sold separately)



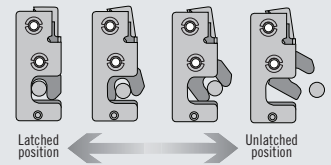
Striker Bolt Integrated Bumper	
Part Number	Material
R4-90-124-10	Steel, Zinc Plated
R4-90-124-20	Stainless Steel

• Strikers for R4-10 series rotary latch

Material and Finish

Steel, zinc plated Steel, zinc nickel plated, Steel, black zinc nickel plated, Stainless Steel, passivated

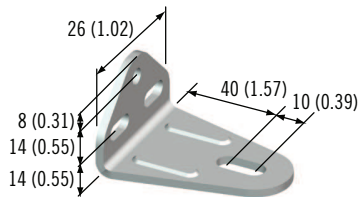
Operation



Part Number

See tables

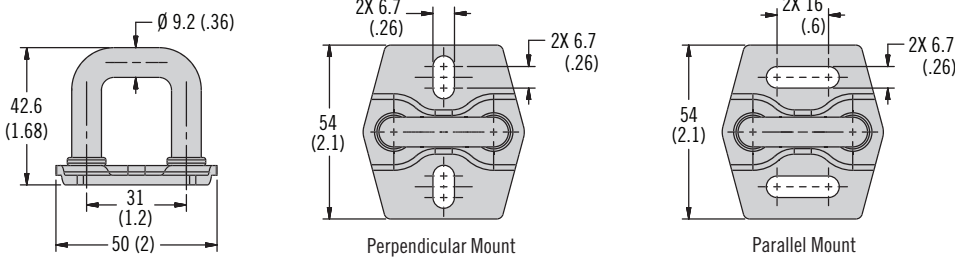
Striker 90° Mounting Bracket



Striker Mounting Bracket	
Part Number	Material
R4-0-50114	Stainless Steel

Wire Form Strikers

(sold separately)



Wire Form Strikers - Standard Ø9.2 (.36)		
Part Number	Mount	Material
R4-90-101-10	Perpendicular	Steel, Zinc Plated
R4-90-101-15	Perpendicular	Steel, Black Zinc Nickel Plated
R4-90-101-77	Perpendicular	Steel, Zinc Nickel Plated
R4-90-102-10	Parallel	Steel, Zinc Plated
R4-90-102-15	Parallel	Steel, Black Zinc Nickel Plated
R4-90-102-77	Parallel	Steel, Zinc Nickel Plated

Wire Form Strikers - Integrated Bumper Ø9 (.35)		
Part Number	Mount	Material
R4-90-104-10	Perpendicular	Steel, Zinc Plated
R4-90-104-15	Perpendicular	Steel, Black Zinc Nickel Plated
R4-90-104-77	Perpendicular	Steel, Zinc Nickel Plated
R4-90-106-10	Parallel	Steel, Zinc Plated
R4-90-106-15	Parallel	Steel, Black Zinc Nickel Plated
R4-90-106-77	Parallel	Steel, Zinc Nickel Plated