



# R4 Rotary Latch

Medium · Concealed · Single and two stage

- Single or multi-point latch capability
- Compatible with wide array of actuators
- Hand actuation option
- EN 45545-3 E60 Compliant

### Material and Finish

Steel, zinc plated or 304 stainless steel, passivated

### Accessories

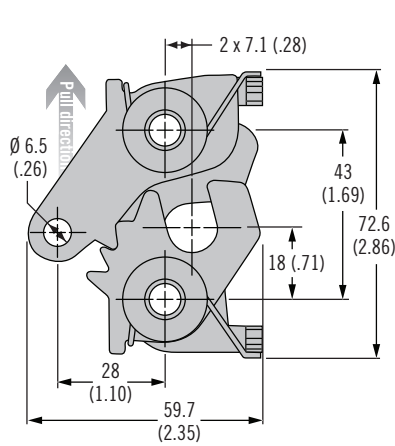
Cables and retainer clips see pages 272-275

### Notes

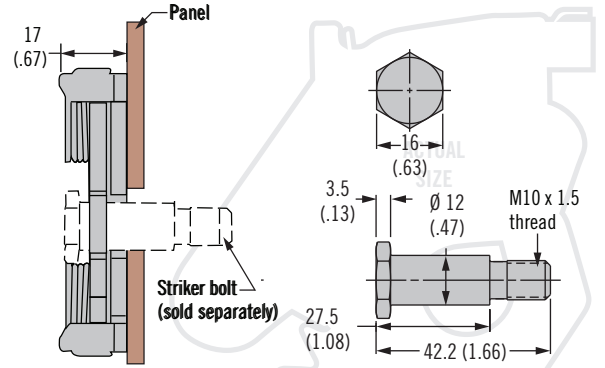
Electromechanical rotary latch available see page 23

For panel preparation visit [www.southco.com/R4](http://www.southco.com/R4)

### Remote Actuation (left hand, two stage version shown)

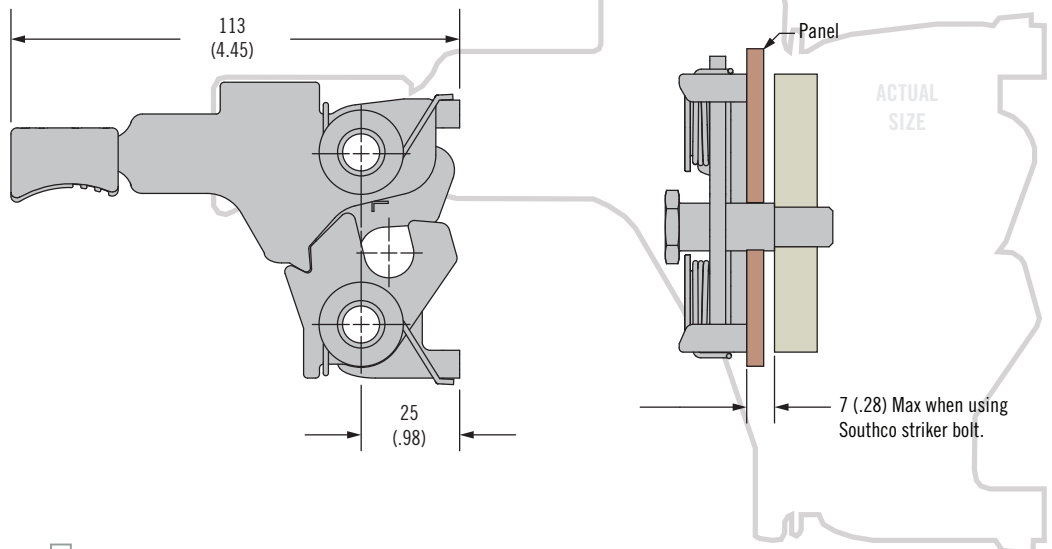


### Striker Bolt (sold separately)



Striker Bolt Part Numbers	
Part Number	Material
R4-91-231-10	Steel
R4-91-231-20	Stainless Steel

### Hand Actuation (left hand, single stage version shown)



### Part Number

See table

Order latch and striker separately

#### S Stage & Actuation

- 1 Single stage, right hand
- 2 Single stage, left hand
- 3 Two stage, right hand
- 4 Two stage, left hand

#### I Mounting Style

- 0 Ø 8.3 (.327) thru
- 1 5/16-18 thread
- 2 M8 x 1.25 thread

**R4 - 20 - S I - L 01 - M**

#### M Material

- 10 Steel
- 20 Stainless steel

#### L Lever Type

- 4 Hand actuation (steel only)
- 5 Bottom

Other options available. For complete details on variety, part numbers, installation and specification, go to



[www.southco.com/R4](http://www.southco.com/R4)

Dimensions in millimeters (inch) unless otherwise stated