

Rectangular hinges

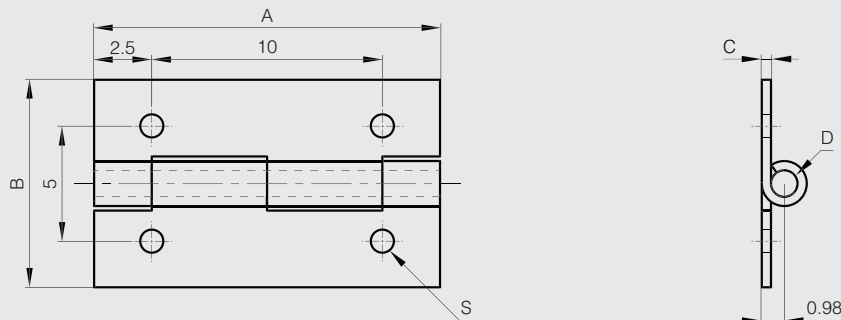
Mini brass-plated steel hinges 15 x 9 mm



Mini brass-plated steel hinges 15x9 mm

Sold in box of 100 units.
Weight per box.

Part number	Material	Finish	A	B	C	D	S	Pin material	Weight (g)
NEW 50-7-4273	steel	brass-plated	15	9	0.4	1.15	1	steel	90



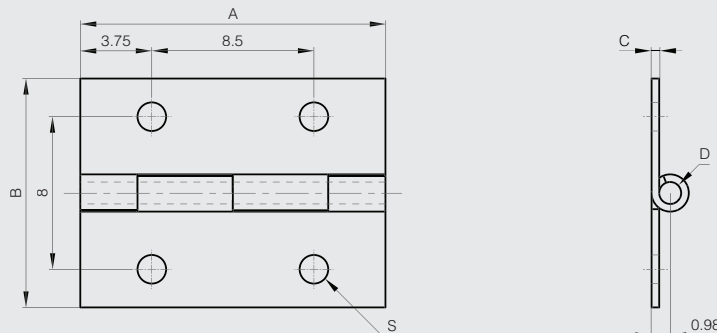
Mini brass-plated steel hinges 16 x 12 mm



Mini brass-plated steel hinges 16x12 mm

Sold in box of 100 units.
Weight per box.

Part number	Material	Finish	A	B	C	D	S	Pin material	Weight (g)
NEW 50-7-4274	steel	brass-plated	16	12	0.4	1.15	1.5	steel	110



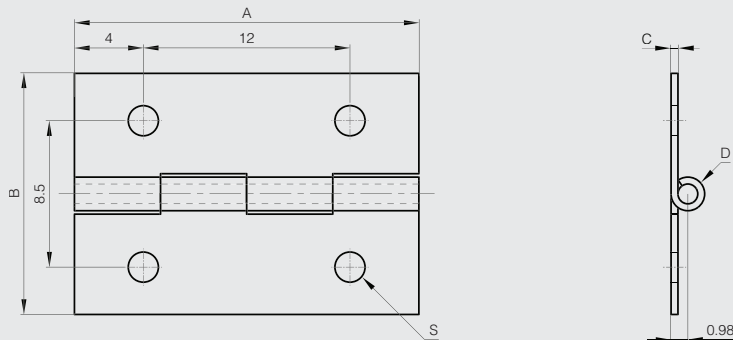
Mini brass-plated steel hinges 20 x 14 mm



Mini brass-plated steel hinges 20x14 mm

Sold in box of 100 units.
Weight per box.

Part number	Material	Finish	A	B	C	D	S	Pin material	Weight (g)
NEW 50-7-4276	steel	brass-plated	20	14	0.4	1.15	1.75	steel	140



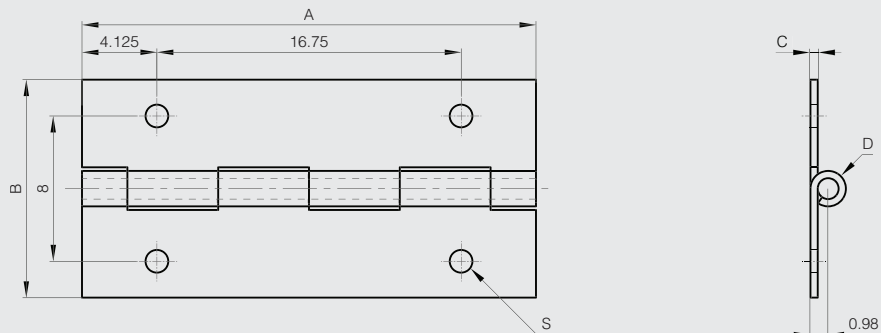
Mini brass-plated steel hinges 25 x 12 mm



Mini brass-plated steel hinges 25x12 mm

Sold in box of 100 units.
Weight per box.

Part number	Material	Finish	A	B	C	D	S	Pin material	Weight (g)
NEW 50-7-4275	steel	brass-plated	25	12	0.4	1.15	1.25	steel	170



Mini brass-plated steel hinges 25 x 16 mm



Mini brass-plated steel hinges 25x16 mm

Sold in box of 100 units.
Weight per box.

	Part number	Material	Finish	A	B	C	D	S	Pin material	Weight (g)
NEW	50-7-4277	steel	brass-plated	25	16	0.5	1.15	1.75	steel	200

