

## Hinges

### Zinc Die Casting, for Panels (Door Panes)

#### SPECIFICATION

Zinc die casting **ZD**  
Powder coated

- Black, RAL 9005, textured finish **SW**
- Silver, RAL 9006, textured finish **SR**

Hinge pin

Stainless steel AISI 303

Shim washers

Stainless steel AISI 316L

Clamping screws

Stainless steel AISI 304

Spacer sleeves

Plastic (Polyamide PA)

Rubber inserts

Elastomer (TPE)



#### INFORMATION

Hinges GN 938 are used to fasten door panes, e.g. made of glass or plastic, so that they can rotate. They are designed to match the panel support clamp GN 939 (see page ).

The panels (door panes) are clamped between the rubber inserts and additionally secured with spacer sleeves, forming a positive connection.

If the hinges are used with profile systems with 6, 8 or 10 mm slots, T-nuts GN 938.1 (see page ) are available as mounting accessories. These make it easy to align the hinges and protect them from twisting.

The covers are supplied loose. They are slid on sideways after assembly and lock into place automatically.

#### ACCESSORY

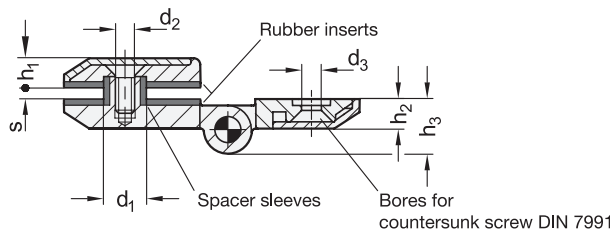
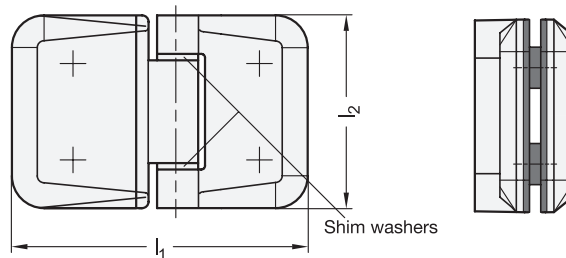
- T-Nuts GN 938.1 (see page )

#### ON REQUEST

- Other colors

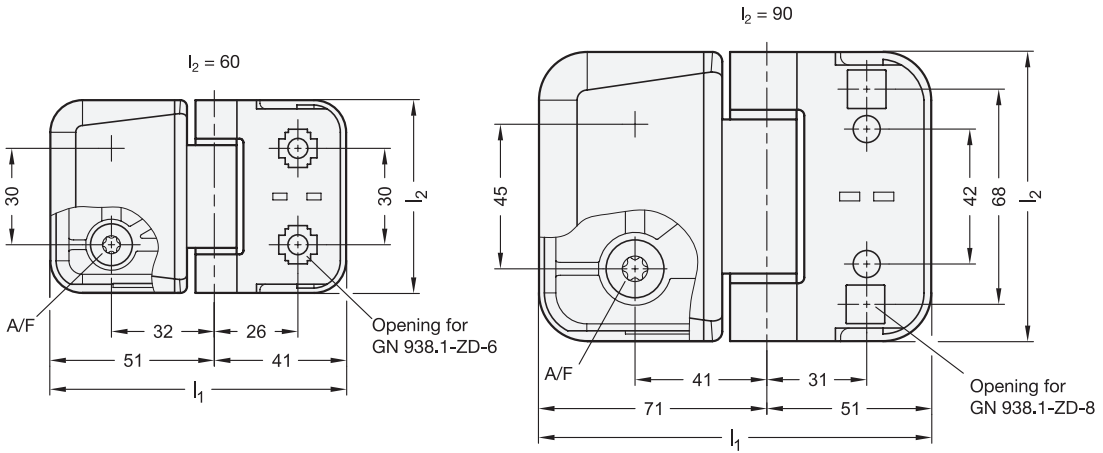
#### TECHNICAL INFORMATION

- List of Hinge Types (see page 1362)
- Load Rating Information (see page A40)
- Plastic Characteristics (see page A2)
- Stainless Steel Characteristics (see page A26)

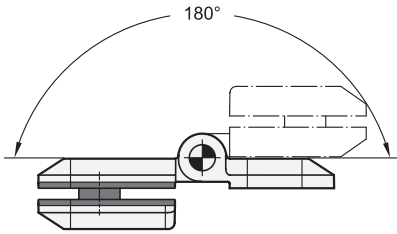


#### GN 938

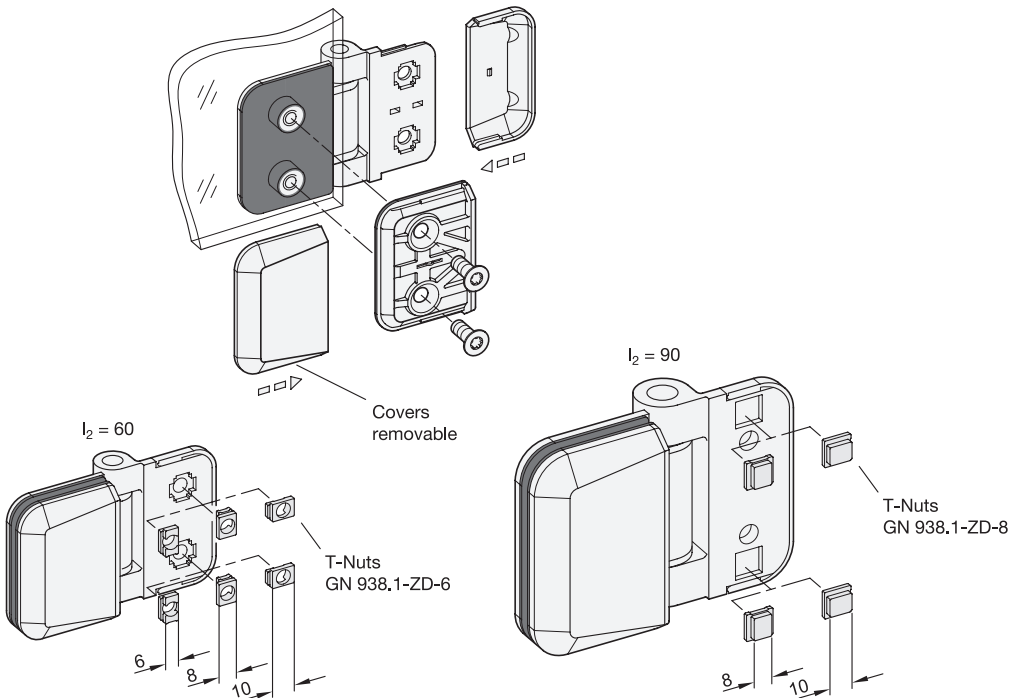
Description	l1	l2	s Nominal size	s Clamping range	d1 -0.2	d2 Clamping screw	d3 For screw	h1	h2	h3	A/F	Δ
GN 938-ZD-92-60-4-SW	92	60	4	4...8	13	M 6	M 6	9.5	9.5	17	T30	360
GN 938-ZD-92-60-4-SR	92	60	4	4...8	13	M 6	M 6	9.5	9.5	17	T30	360
GN 938-ZD-122-90-8-SW	122	90	8	8...12	16	M 8	M 8	13.5	13.5	25	T45	1035
GN 938-ZD-122-90-8-SR	122	90	8	8...12	16	M 8	M 8	13.5	13.5	25	T45	1035



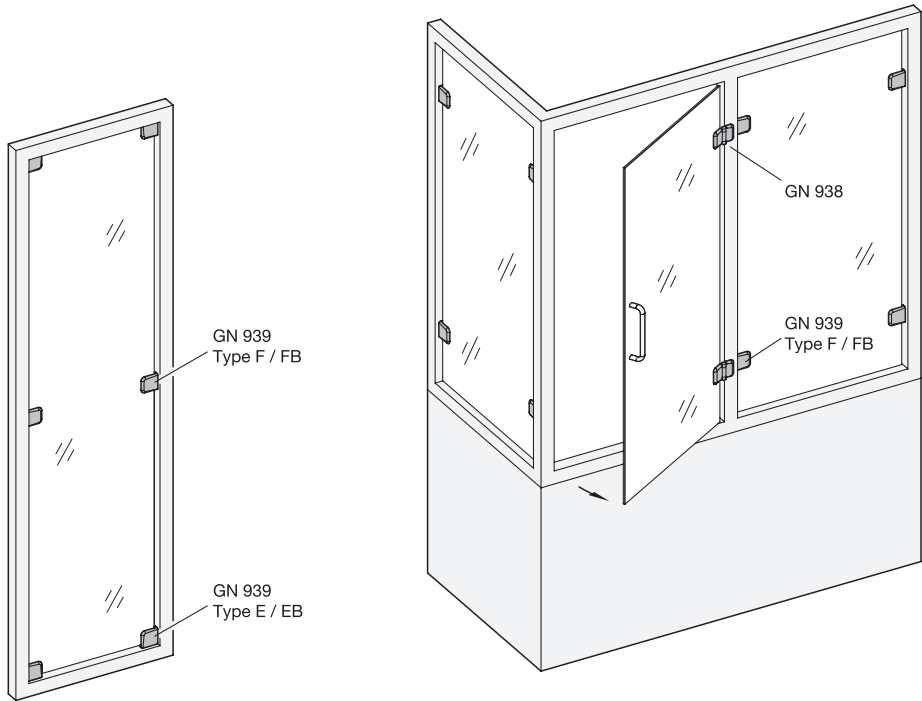
Swiveling range



Assembly Instructions



## Application Example



Hinges GN 938  
T-Nuts GN 938.1  
Panel Support Clamps GN 939