

FinAlu® continuous hinge



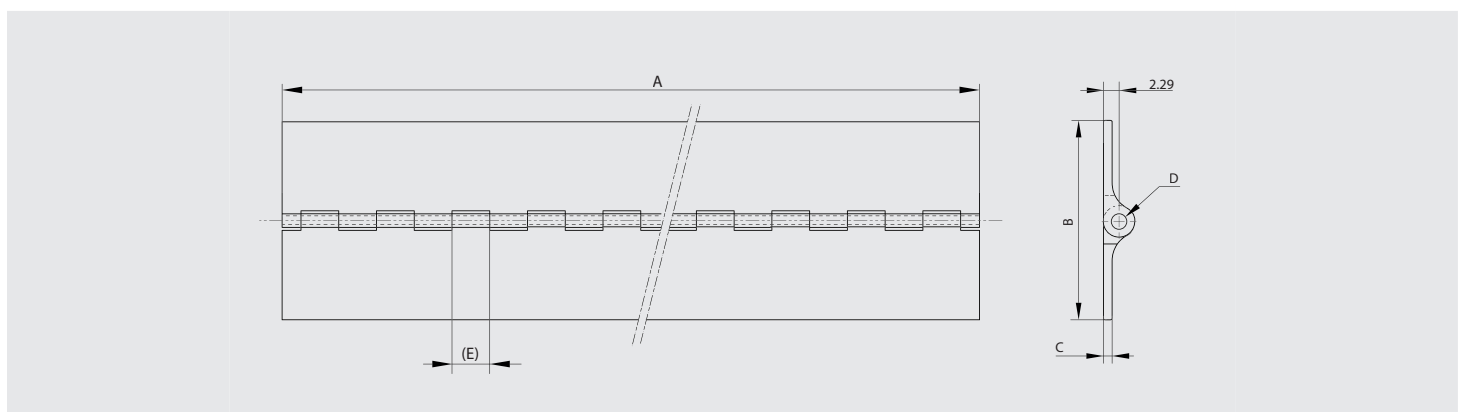
Continuous hinges in aluminium profile with a small pin diameter.

This nice design can be used in many applications (medical, electronic enclosures, food equipment, transportation...).

These hinges have the same dimensions as hinges used in the aircraft industry.



Part number	Material	Finish	A	B	C	D	E	Pin material	Note	Weight (g)
72-1-4243	6082 T5 alu	anodised	915	31.75	1.3	2.2	12.7	stainless steel	undrilled	150
72-1-4244	6082 T5 alu	raw	1830	31.75	1.3	2.2	12.7	stainless steel	undrilled	300
72-1-4245	6082 T5 alu	anodised	915	44.45	1.3	2.2	12.7	stainless steel	undrilled	190
72-1-4246	6082 T5 alu	raw	1830	44.45	1.3	2.2	12.7	stainless steel	undrilled	380
72-1-4247	6082 T5 alu	anodised	915	63.5	1.3	2.2	12.7	stainless steel	undrilled	250
72-1-4248	6082 T5 alu	raw	1830	63.5	1.3	2.2	12.7	stainless steel	undrilled	500



Aluminium profile continuous hinge - 50 mm



Opening angle 270°. Other lengths are available on request.

Specific drilling requirements are also available on request.

Part number	Material	Finish	A	B	C	D	E	Pin material	Note	Weight (g)
72-1-3316	6060 T5 alu	raw	2000	50	3	5.2	35.5	304 stainless steel	undrilled	1200

