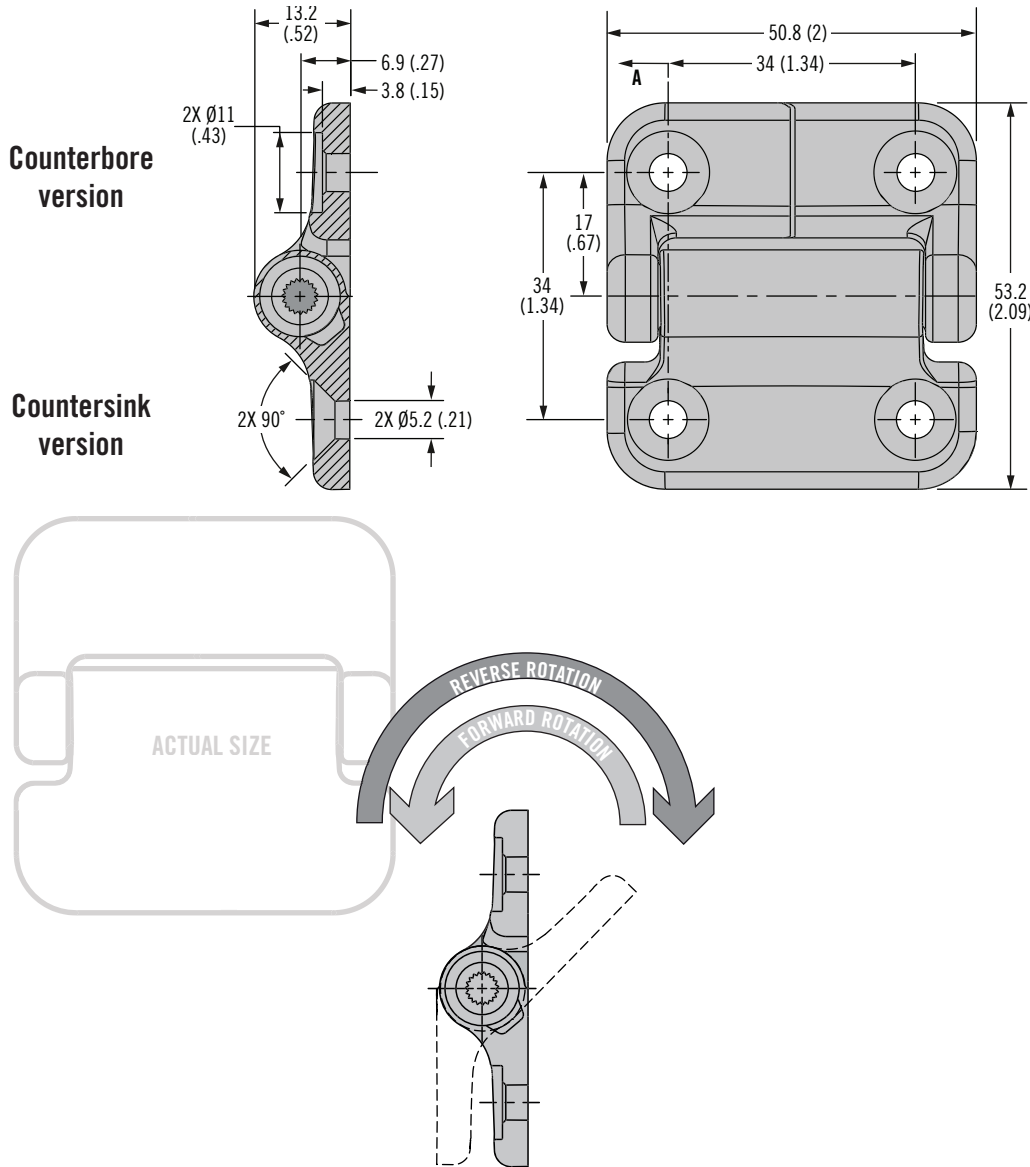


E6 Hinge

Position control · Constant torque



- Holds in every position
- No adjustment required
- Long cycle life

Material and Finish

Stainless steel
Internal steel and plastic components

Performance Details

Cycle performance: 20,000 cycles within $\pm 20\%$ of static torque specification

Radial load:

Maximum static load: 200 N (45 lbf)

Average ultimate load:

13 kN (2,900 lbf)

Axial load:

Maximum static load: 200 N (45 lbf)

Average ultimate load:

4 kN (900 lbf)

Counterbore Part Number	Countersink Part Number	Forward Torque N·m (in·lbf)	Reverse Torque N·m (in·lbf)
E6-70-408S-24	E6-71-408S-24	0.90 (8.0)	
E6-70-416S-24	E6-71-416S-24	1.81 (16.0)	
E6-70-420S-24	E6-71-420S-24	2.26 (20.0)	
E6-70-430S-24	E6-71-430S-24	3.39 (30.0)	
E6-70-420F-24	E6-71-420F-24	2.26 (20.0)	1.54 (13.6)
E6-70-430F-24	E6-71-430F-24	3.39 (30.0)	2.30 (20.4)
E6-70-440F-24	E6-71-440F-24	4.52 (40.0)	3.08 (27.3)
E6-70-420R-24	E6-71-420R-24	1.54 (13.6)	2.26 (20.0)
E6-70-430R-24	E6-71-430R-24	2.30 (20.4)	3.39 (30.0)
E6-70-440R-24	E6-71-440R-24	3.08 (27.3)	4.52 (40.0)

Part Number

See table