



E6 Hinge

Position control · Constant torque · Plastic

- Holds in every position
- No adjustment required
- Long cycle life
- Corrosion resistant
- Multiple mounting options
- Concealed mounting hardware

Material and Finish

40 Series: Nylon,

black, stainless steel

50 Series: Nylon, steel, anodized aluminum

Performance Details

Cycle performance

20,000 cycles, see trade drawing for details

Radial load:

Max. static load: 200 N (45 lbf)

Average ultimate load:

1500 N (335 lbf)

Axial load:

Max. static load: 200 N (45 lbf)

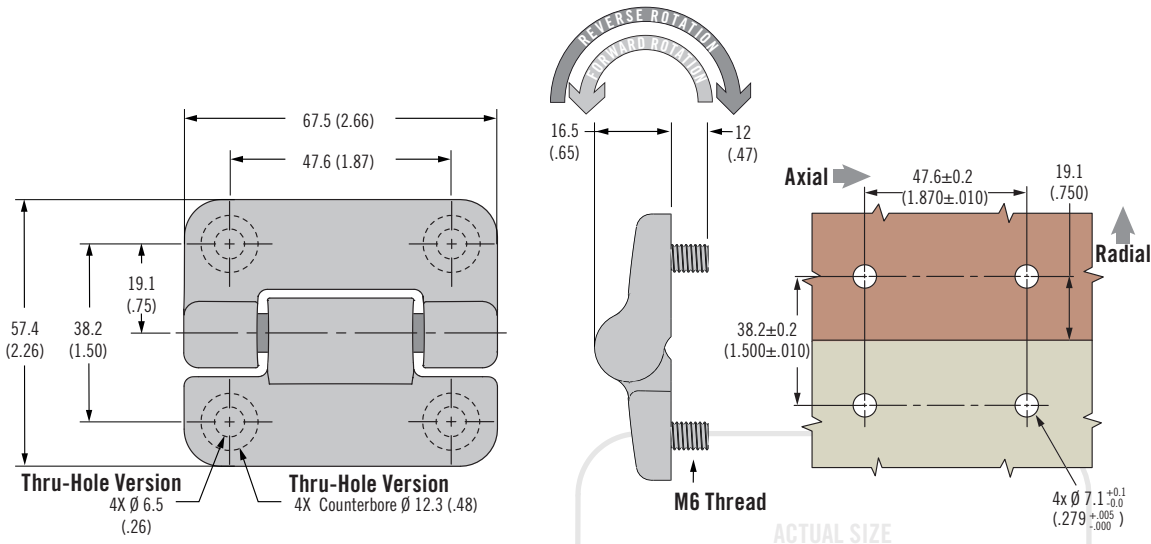
Average ultimate load:

2500 N (560 lbf)

Part Number

See table

XX	Color
20	Black
10	White



40 Series: Simplified torque mechanism providing a single, standard operating effort

Part Number		
Thru-Hole Mounting	Thread Stud Mounting	Symmetric Torque N·m (in·lbf)
E6-40-537S-20	E6-45-537S-20	4.18 (37)

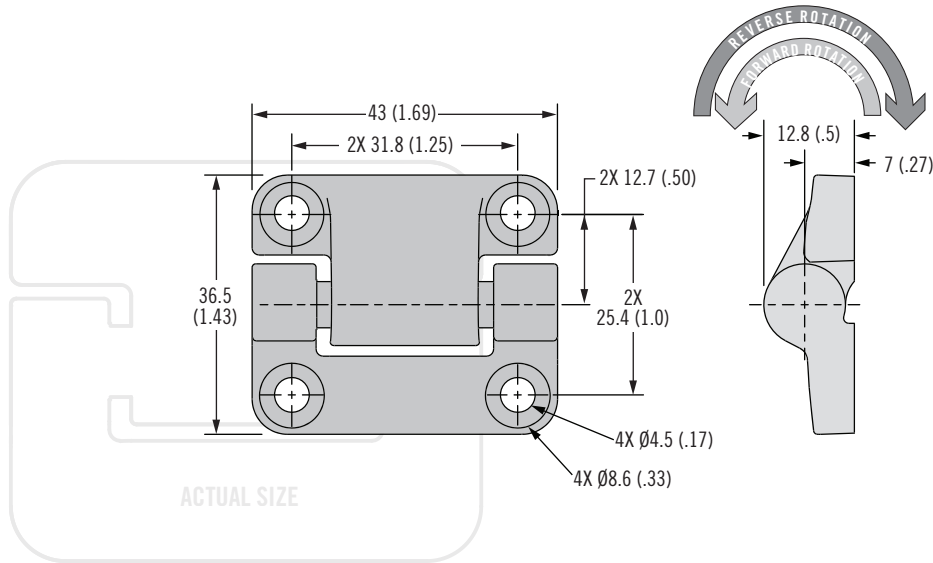
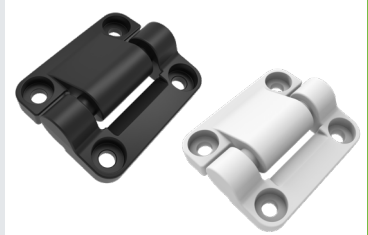
50 Series: Constant torque mechanism providing customizable, precise operating efforts

Symmetric Torque Versions		
Part Number		Static Torque (forward and reverse) N·m (in·lbf)
Thru-Hole Mounting	Thread Stud Mounting	Free Operating
E6-50-500-XX	E6-55-500-XX	Free Operating
E6-50-535S-XX	E6-55-535S-XX	3.95 (35)
E6-50-530S-XX	E6-55-530S-XX	3.39 (30)
E6-50-525S-XX	E6-55-525S-XX	2.82 (25)
E6-50-520S-XX	E6-55-520S-XX	2.26 (20)
E6-50-515S-XX	E6-55-515S-XX	1.69 (15)

Asymmetric Torque Versions			
Part Number		Forward Torque N·m (in·lbf)	Reverse Torque N·m (in·lbf)
Thru-Hole Mounting	Thread Stud Mounting		
E6-50-540F-XX	E6-55-540F-XX	4.52 (40)	3.16 (28)
E6-50-535F-XX	E6-55-535F-XX	3.95 (35)	2.77 (24.5)
E6-50-530F-XX	E6-55-530F-XX	3.39 (30)	2.37 (21)
E6-50-525F-XX	E6-55-525F-XX	2.82 (25)	1.98 (17.5)
E6-50-520F-XX	E6-55-520F-XX	2.26 (20)	1.58 (14)
E6-50-515F-XX	E6-55-515F-XX	1.69 (15)	1.19 (10.5)
E6-50-540R-XX	E6-55-540R-XX	3.16 (28)	4.52 (40)
E6-50-535R-XX	E6-55-535R-XX	2.77 (24.5)	3.95 (35)
E6-50-530R-XX	E6-55-530R-XX	2.37 (21)	3.39 (30)
E6-50-525R-XX	E6-55-525R-XX	1.98 (17.5)	2.82 (25)
E6-50-520R-XX	E6-55-520R-XX	1.58 (14)	2.26 (20)
E6-50-515R-XX	E6-55-515R-XX	1.19 (10.5)	1.69 (15)

E6 Hinge

Position control · Constant torque · Plastic



- Holds in every position
- No adjustment required
- Long cycle life
- Corrosion resistant

Material and Finish

50 Series: Nylon, steel, anodized aluminum

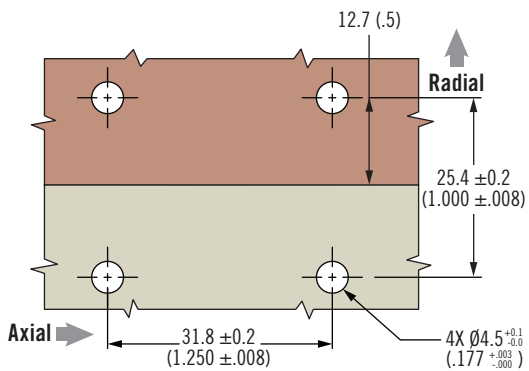
Performance Details

Cycle performance
20,000 cycles, see trade drawing for details

Part Number

See table

50 Series: Constant torque mechanism providing customizable, precise operating efforts



Symmetric Torque Versions	
Part Number	Static Torque (forward and reverse) N•m (in•lbf)
Thru-Hole Mounting	
E6-50-314S-XX	1.58 (14)
E6-50-310S-XX	1.13 (10)
E6-50-308S-XX	0.90 (8)
E6-50-304S-XX	0.45 (4)

Asymmetric Torque Versions		
Part Number	Forward Torque N•m (in•lbf)	Reverse Torque N•m (in•lbf)
Thru-Hole Mounting		
E6-50-316F-XX	1.81 (16)	1.27 (11.2)
E6-50-312F-XX	1.36 (12)	0.95 (8.4)
E6-50-308F-XX	0.90 (8)	0.63 (5.6)
E6-50-304F-XX	0.45 (4)	0.32 (2.8)
E6-50-316R-XX	1.27 (11.2)	1.81 (16)
E6-50-312R-XX	0.95 (8.4)	1.36 (12)
E6-50-308R-XX	0.63 (5.6)	0.90 (8)
E6-50-304R-XX	0.32 (2.8)	0.45 (4)

XX	Color
20	Black
10	White