



C2 Compression Latch

Lever latch · Push to lock

- Low profile when latched
- Easy grip adjustment
- Push button actuation
- Integrated bumper

Material and Finish

Zinc alloy, powder coated or chrome plated and steel, zinc plated

Performance Details

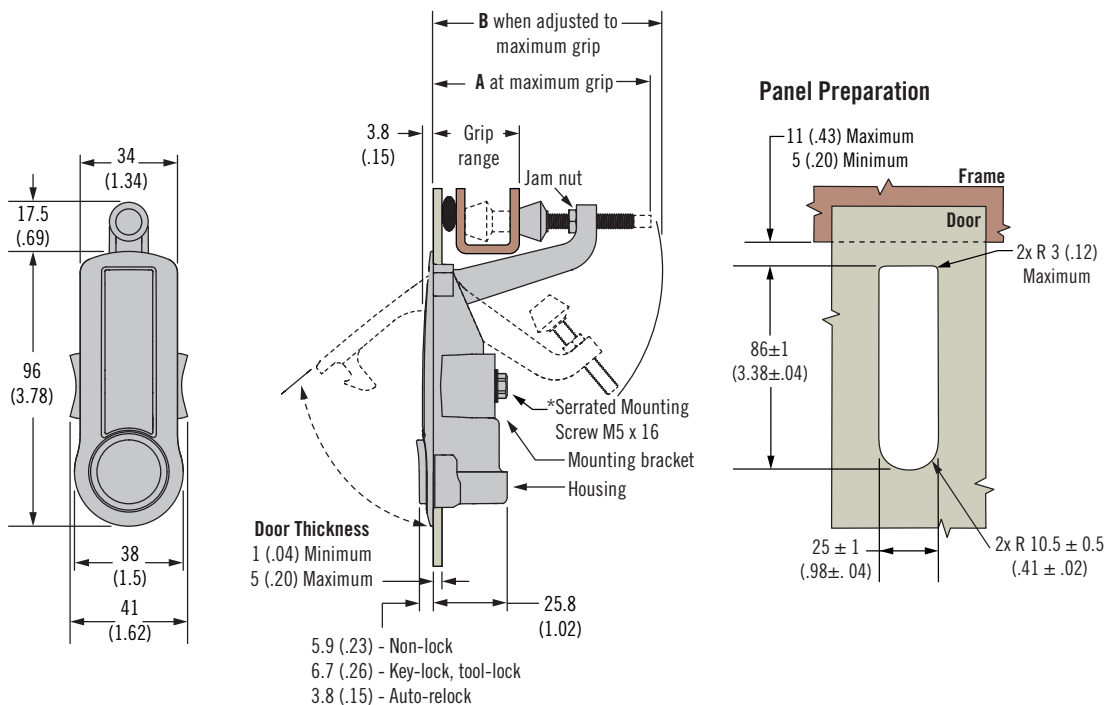
Maximum static load: 200 N (45 lbf)

Installation Notes

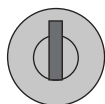
* Serrated Mounting Screw M5 x 16. For door thickness greater than 5 (.20) calculate screw length using the following formula:
Door thickness + 12 (.47)

Keys

See page 121



L Lock Styles



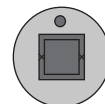
Key-locking keyed CH751



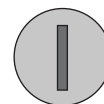
4 (.16) Hex recess



No. 2 Phillips recess



Railway standard



Slotted recess

Part Number Selection

See table

L Lock style

- 1 Non-locking raised trigger
- 2 Key-locking raised trigger keyed CH751 (two flat keys supplied)
- 4 4 (.16) Hex recess raised trigger
- 10 No. 2 Phillips recess raised trigger
- 13 Locking without lock core raised trigger (see page 190 for lock core options)
- 14 Railway standard raised trigger
- 15 8 (.32) Hex recess raised trigger
- 16 Slotted recess raised trigger
- 22 Key-locking raised trigger keyed CH751 (two flat keys supplied); (key retained in unlocked position)
- 34 Auto relock: 4 (.16) Hex recess raised trigger
- 310 Auto relock: No. 2 Phillips recess flush trigger
- 314 Auto relock: Railway standard flush trigger
- 315 Auto relock: 8 (.32) Hex recess flush trigger
- 316 Auto relock: Slotted recess flush trigger

F Finish

- 1 Bright chrome
- 5 Black powder coated

P Packaging option

- 3 Layer packed (omit for individually packaged latches)

C2 - 5 G - L F - P

G Grip Range	A	B
2	1-18 (.04-.71)	58 (2.28) 63 (2.48)
3	18-40 (.71-1.57)	80 (3.15) 84 (3.31)

Notes

For lock core selection and a complete overview of the *SOUTHCO*® Key-Choice System see page 190