



## AC-50 Single and Multi Point Actuator Squeeze handle

- Single or multi point actuation options
- Accommodates tubular construction or rounded mounting surfaces

### Material and Finish

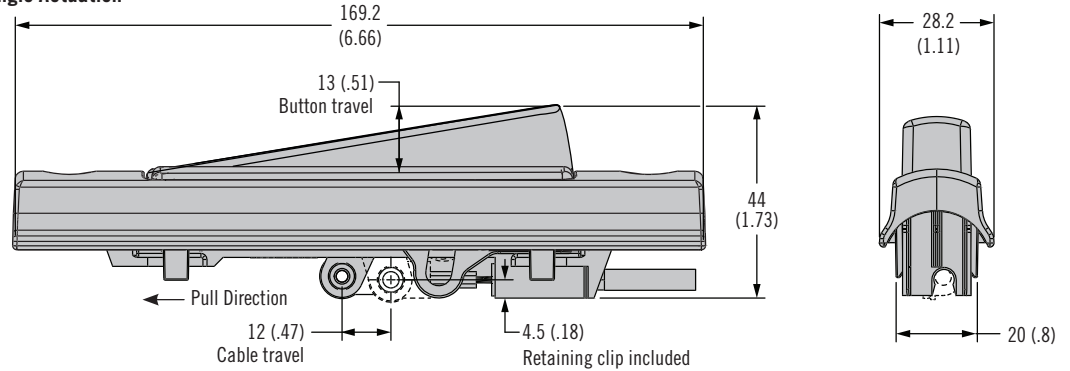
Cover, button, housing: Glass-filled nylon, black

Lever: Steel, zinc plate or die cast aluminum, nickel finish

### Installation Notes

- Install tube minimum diameter of 26.8 mm (1.06 inches)
- Installation torque of screws not to exceed 2 N-m maximum (Countersunk screws or rivets recommended)

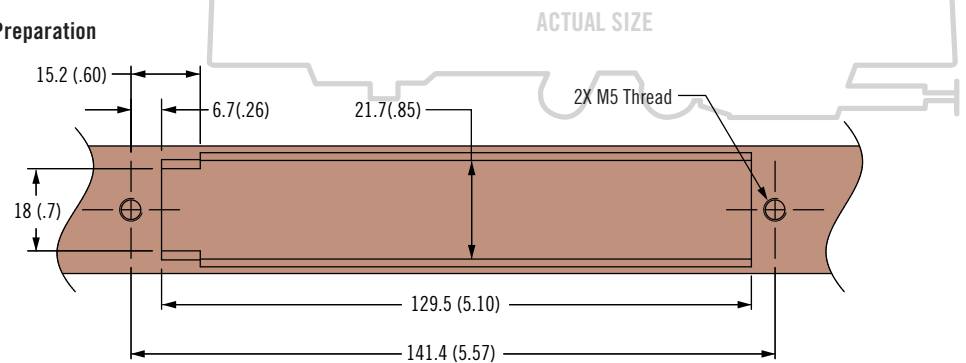
### Single Actuation



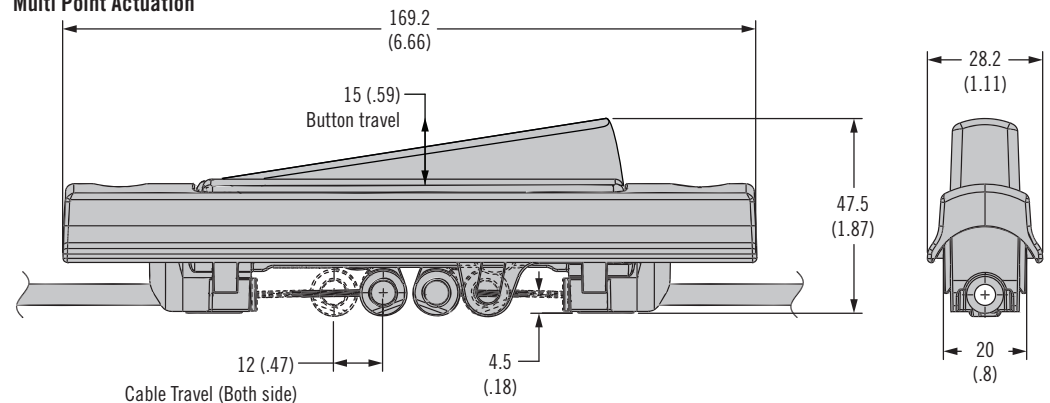
### Part Number

AC-50-101-11

### Panel Preparation



### Multi Point Actuation



### Part Number

AC-50-301-11

