

SQUARE DESIGN STAINLESS STEEL HINGE

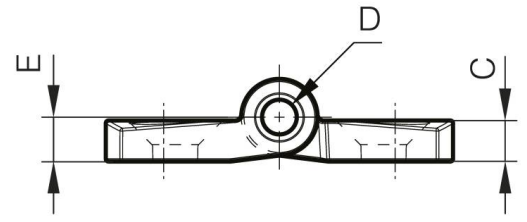
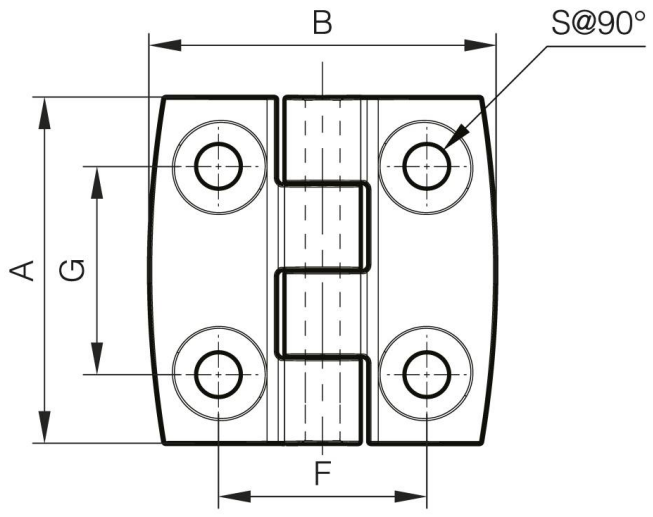
72-1-4416

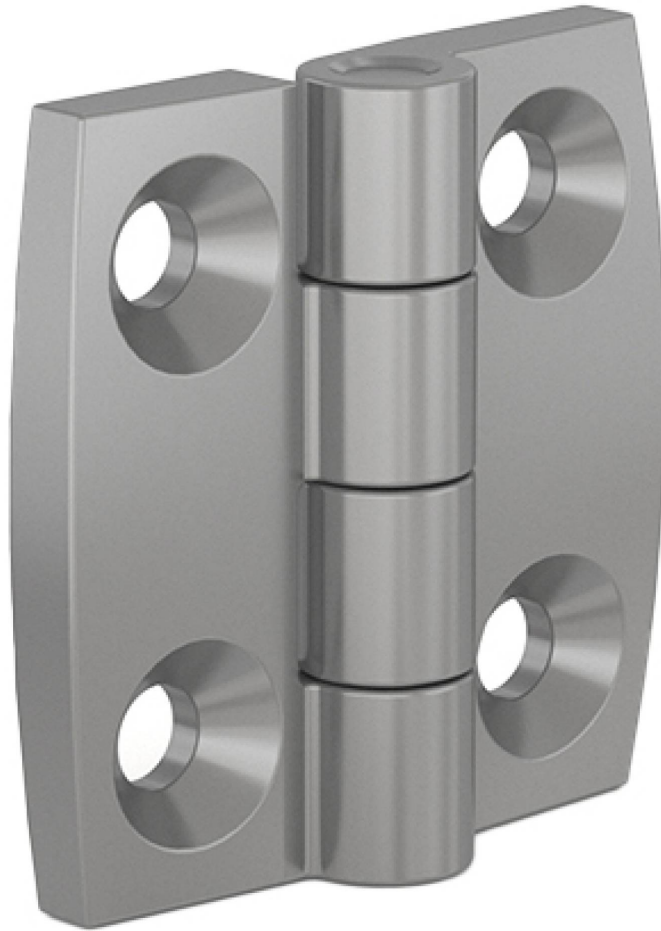
Hinges: 316L stainless steel.

Pin: 316L stainless steel.

Models equivalent to square design polyamide hinges (part number 54-1-3565 and 54-1-3566).

A (length)	40 mm
Material	316L stainless steel
Weight (g)	60 g
B (width)	40 mm
C	5.2 mm
S	5.3 mm
E	5.7 mm
D (pin diameter)	4 mm
F (pitch)	25 mm
G (pitch)	25 mm
Finish	passivated
Nouvelle référence	NEW





SQUARE DESIGN STAINLESS STEEL HINGE

72-1-4417

Hinges: 316L stainless steel.

Pin: 316L stainless steel.

Models equivalent to square design polyamide hinges (part number 54-1-3565 and 54-1-3566).

A (length)	50 mm
Material	316L stainless steel
Weight (g)	100 g
B (width)	50 mm
C	5.9 mm
S	6.4 mm
E	6.4 mm
D (pin diameter)	5 mm
F (pitch)	30 mm
G (pitch)	30 mm
Finish	passivated
Nouvelle référence	NEW

