

### Dual axis torque hinge - 30 x 60 mm

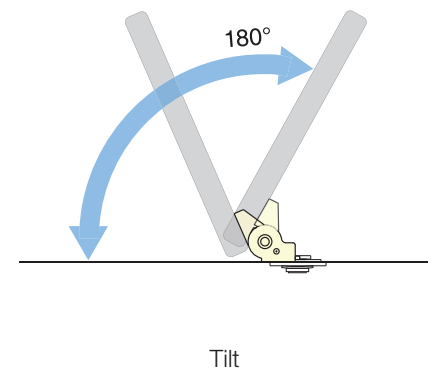
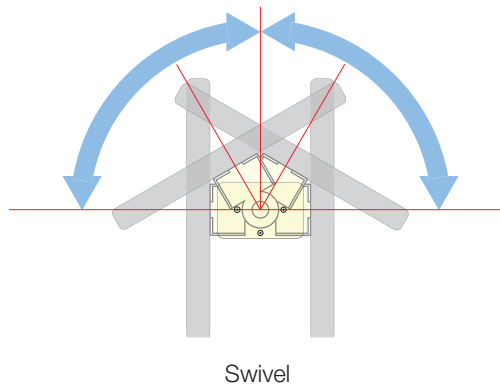
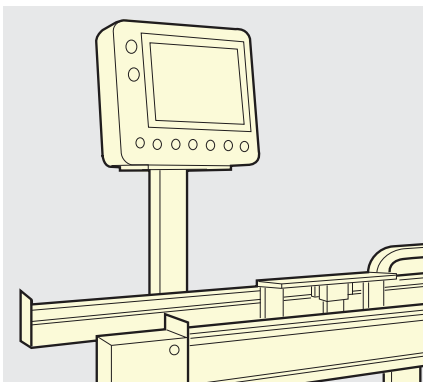
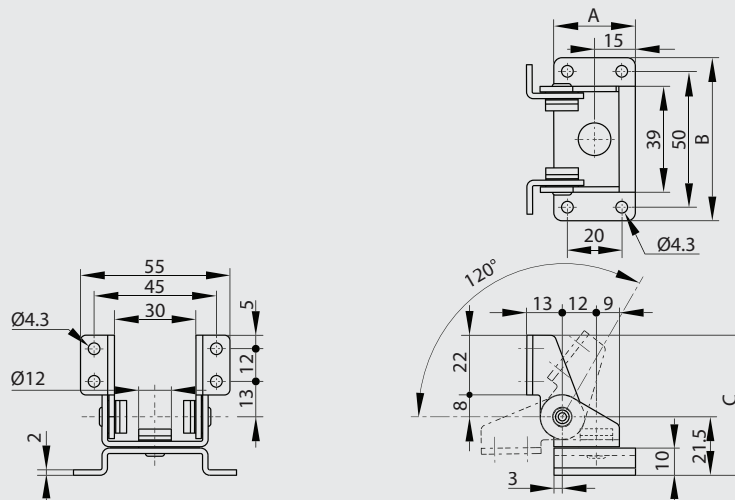


- Dual axis: free stop at any angle in tilt & swivel.
- Provide torque stability in both directions.
- Torque per piece (tilting): 2.9 N.m.
- Torque per piece (swiveling): 1.4 N.m.
- Suitable for monitor screens.
- Rotation upon axis X can occur from 0 ° to 180 °.
- Rotation upon axis Z can occur up to 360 °.

Produced mainly in stainless steel, for a complete description of the materials contact us.



Part number	Material	Finish	A	B	C	Torque	Weight (g)
70-7-3622	430 stainless steel	polished	30	60	51.5	2.9 N.m (axis X) 1.4 N.m (axis Z)	92



# Hinges with dual function

## Friction hinges

### Dual axis torque hinge - 50 x 76 mm



- Dual axis: free stop at any angle in tilt & swivel.
- Provide torque stability in both directions.
- Torque per piece (tilting): 7 N.m.
- Torque per piece (swiveling) 3 N.m.
- Suitable for monitor screens.
- Rotation upon axis X is free but can be blocked from 0° to 120° with a additional pin.
- Rotation upon axis Z is free but can be blocked at 30° or 90° with additional pins (various holes in the fixing plate).
- Electric cables can go through a hole in the middle of the fixing plate.



Produced mainly in stainless steel, for a complete description of the materials contact us.

Part number	Material	Finish	A	B	Torque	Weight (g)
70-7-3621	430 stainless steel	polished	50	76	7 N.m (axis X) 3 N.m (axis Z)	232

