



37 Draw Latch

Flexible · Pull type · Tab handle

- Flexible one piece molded latch

Material and Finish

Small:

EPDM rubber and stainless steel

Medium:

EPDM rubber and steel, zinc plated

Performance Details

Small:

Average clamping force:

20.9 N (4.7 lbf)

Medium:

Average clamping force:

26.2 N (5.9 lbf)

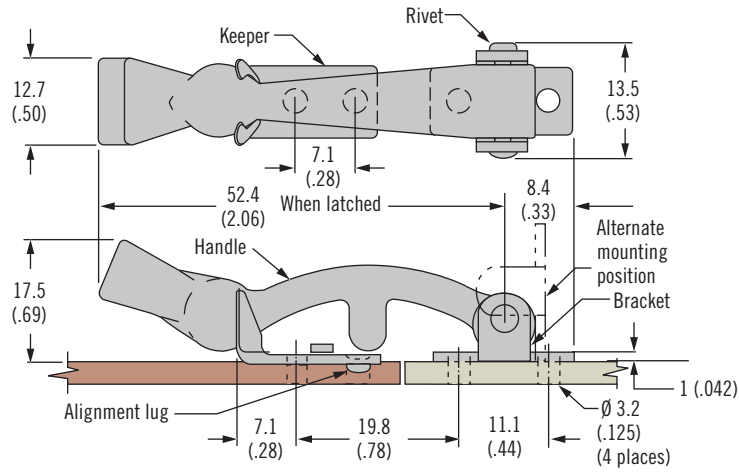
Operating temperature range:

-20°C (0°F) to 95°C (200°F)

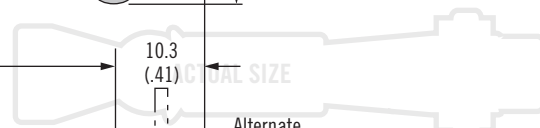
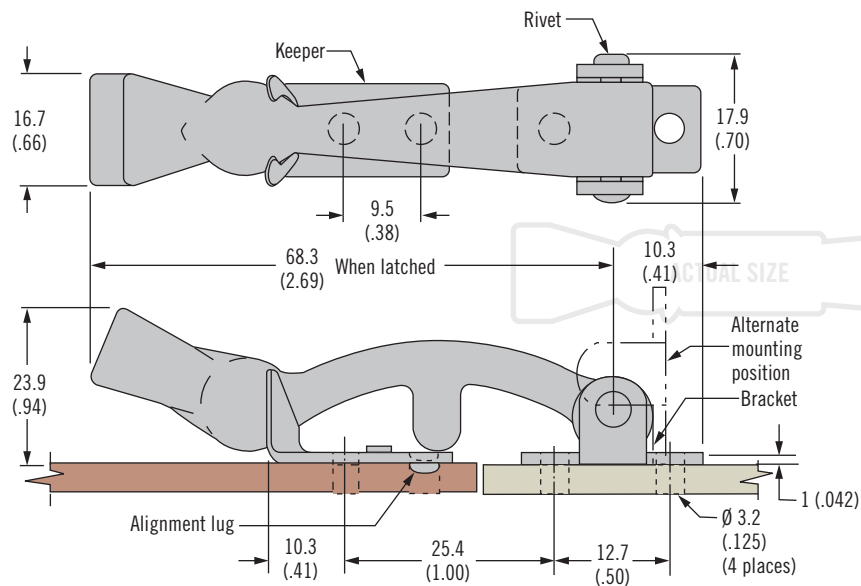
Installation Notes

Install assembly with four $\varnothing 3$ (.125) rivets or M3 (No. 4) screws (not supplied)

Small



Medium



Part Number

See table

Assembly complete with keeper

Part Number		
Series	Steel	Stainless Steel
Small	~	37-10-051-20
Medium	37-10-061-10	~

Other options available. For complete details on variety, part numbers, installation and specification, go to

INFO CLIC www.southco.com/37

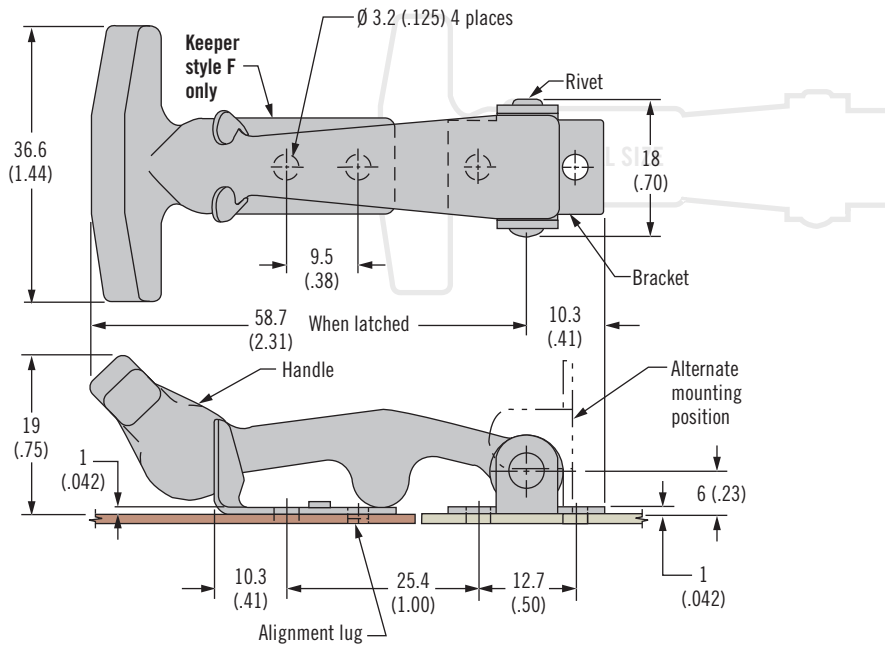
Dimensions in millimeters (inch) unless otherwise stated

37 Draw Latch

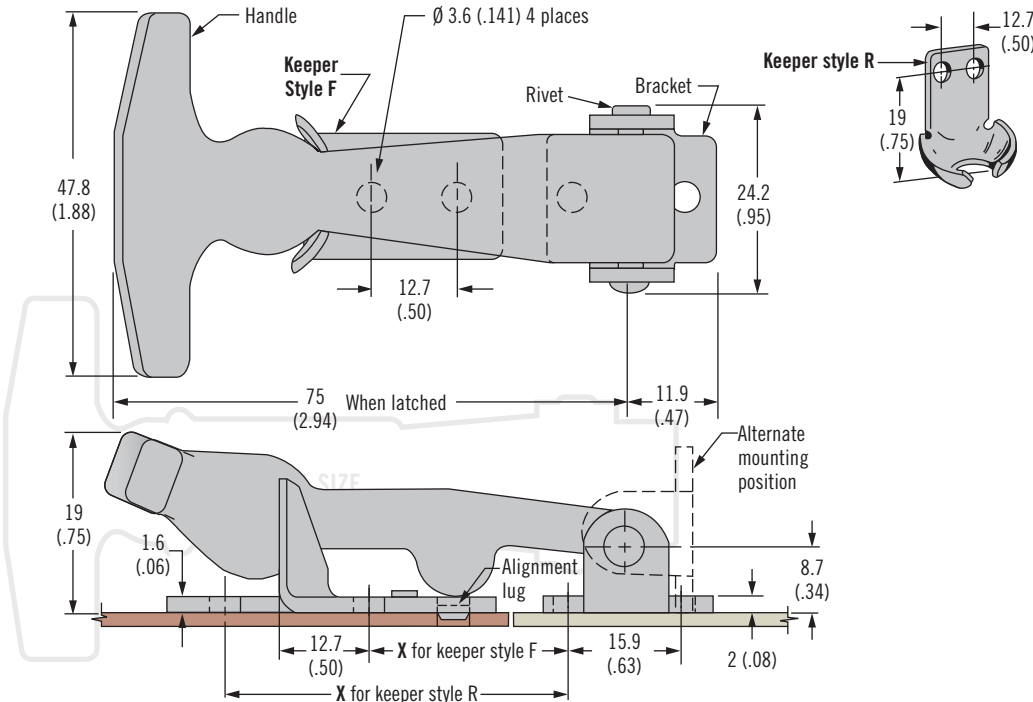
Flexible · Pull type · T-handle



Small



Medium



Small Size Part Number	
Steel	Stainless Steel
37-10-065-10	37-10-065-20

Medium Size Part Number				
Keeper Style	X	Latch Shipped Assembled		Latch Shipped Unassembled
		Steel	Stainless Steel	Steel
F	31.8 (1.25)	37-10-071-10	37-10-071-20	37-10-072-10
R	56.4 (2.22)	37-20-071-10	37-20-071-20	37-20-072-10

- Flexible one piece molded latch

Material and Finish

EPDM rubber and stainless steel or steel, zinc plated

Performance Details:

Average clamping force:

Small: 26 N (6 lbf)

Medium: 39 N (8.7 lbf)

Operating temperature range:

-20°C (0°F) to 95°C (200°F)

Installation Notes

Small:

Install assembly with four Ø 3 (.125) rivets or M3 (No. 4) screws (not supplied)

Medium:

Install assembly with four Ø 3.6 (.141) flat head rivets or M3.5 (No. 5) screws (not supplied)

Part Number

See table

Assembly complete with keeper

Other options available. For complete details on variety, part numbers, installation and specification, go to



www.southco.com/37



37 Draw Latch

Flexible · Pull type · T-handle

- Flexible one piece molded latch

Material and Finish
EPDM rubber and stainless steel

Performance Details

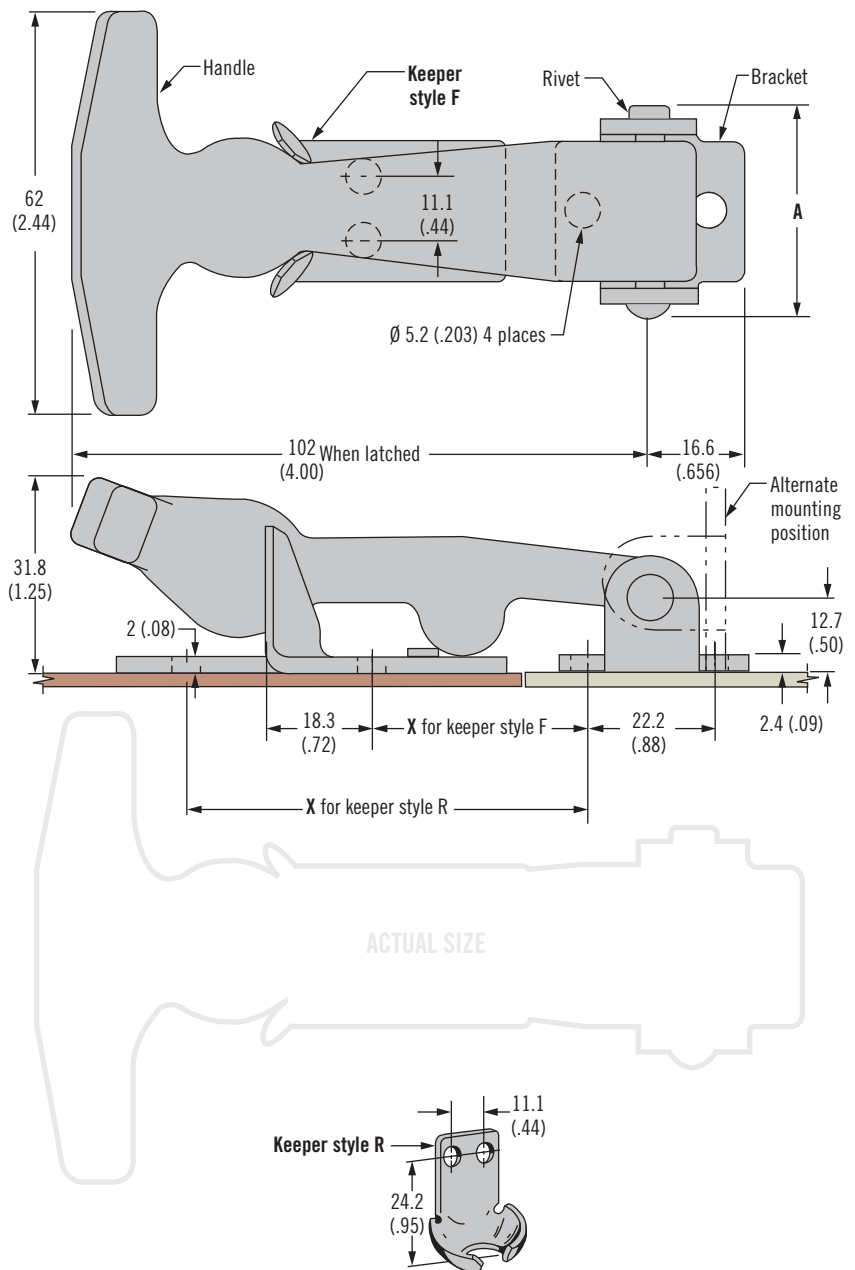
Average clamping force:
49 N (11 lbf)

Operating temperature range:
-20°C (0°F) to 95°C (200°F)

Installation Notes

Install assembly with four Ø 5(.188) rivets or M5 (No. 10) screws (not supplied)

Large



Part Number

See table

Assembly complete with keeper

Part Number						
Keeper Style	X	Latch shipped assembled			Latch shipped unassembled	
		A	Steel	Stainless Steel	A	Steel
F	38.1 (1.50)	31.8 (1.25)	37-10-086-10	37-10-086-20	34 (1.34)	37-10-087-10
R	73 (2.88)		37-20-086-10	37-20-086-20		37-20-087-10

Other options available. For complete details on variety, part numbers, installation and specification, go to

INFO CLIC www.southco.com/37

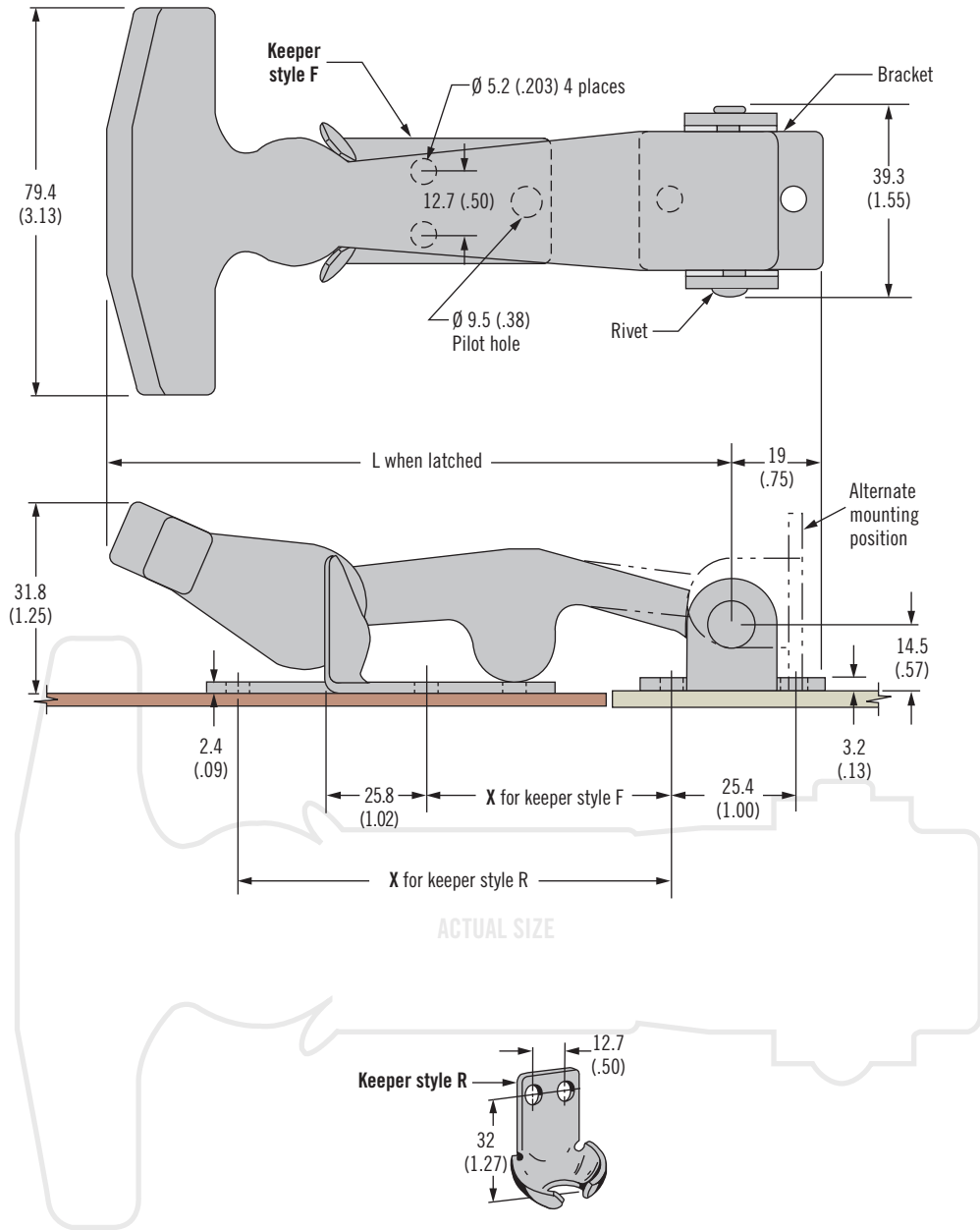
Dimensions in millimeters (inch) unless otherwise stated

37 Draw Latch

Flexible · Pull type · T-handle



Extra Large



- Flexible one piece molded latch

Material and Finish

EPDM rubber and stainless steel or steel, zinc plated

Performance Details

Average clamping force: 84 N (19 lbf)

Operating temperature range:
-20°C (0°F) to 95°C (200°F)

Installation Notes

Install assembly with four $\varnothing 5$ (.188) rivets or M5 (No. 10) screws (not supplied)

Part Number						
Series	Keeper Style	L	X	Latch Shipped Assembled		Latch Shipped Unassembled
				Steel	Stainless Steel	Steel
100	F	130.2 (5.13)	50.8 (2.00)	37-10-101-10	37-10-101-20	37-10-102-10
	R		90.5 (3.56)	37-20-101-10	37-20-101-20	37-20-102-10
130	F	247.7 (9.75)	165.1 (6.50)	37-10-131-10	37-10-131-20	~
	R		204.8 (8.06)	37-20-131-10	37-20-131-20	~

Part Number

See table

Assembly complete with keeper