



## 37 Draw Latch

Flexible · Over-center · Lever assist

- Flexible body compensates for misalignment
- Absorbs and reduces vibration
- Detent lever resists accidental opening

### Material and Finish

EPDM rubber and glass-filled nylon black with stainless steel pins

### Performance Details

Clamping forces up to 475N (107lbf)

### Installation Notes

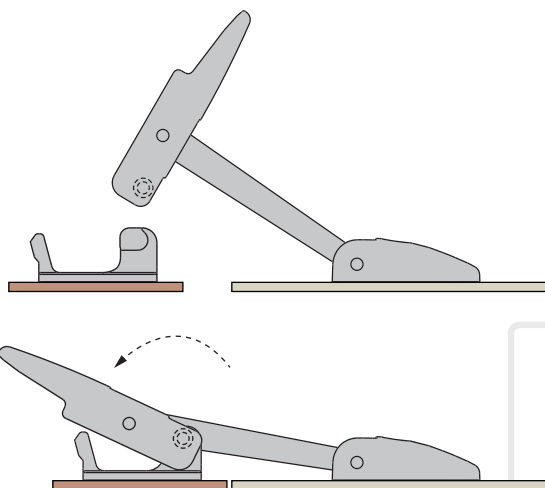
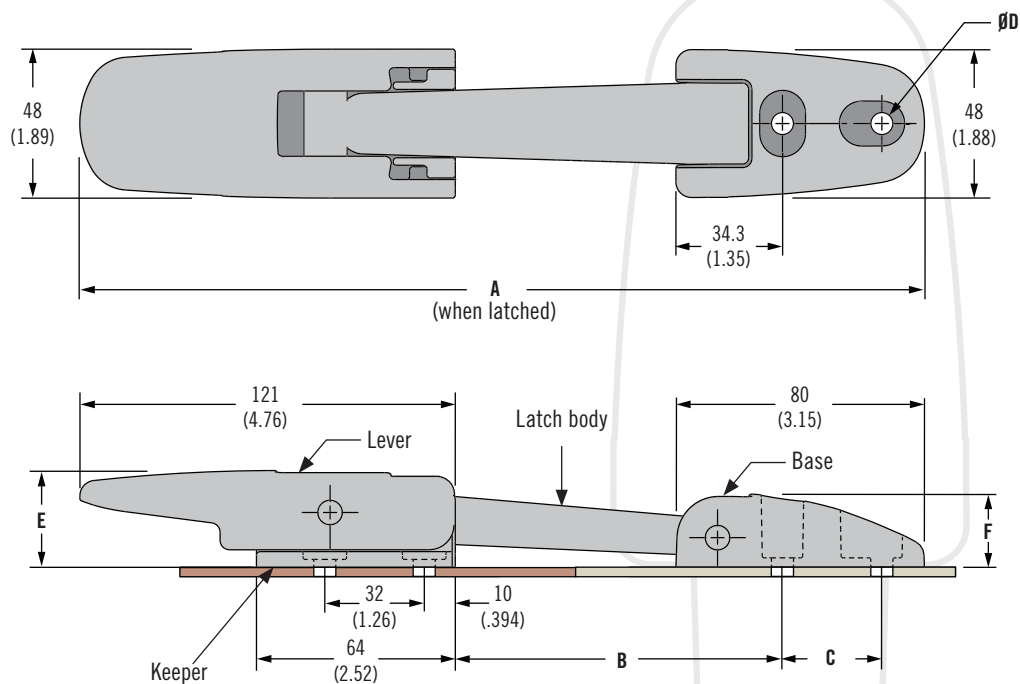
For  $\varnothing D = 5.5$ , install using

M5 (No. 10) screws

For  $\varnothing D = 6.6$ , install using

M6 (1/4) screws

(not supplied)



ACTUAL SIZE

### Part Number

See table

Assembly complete with keeper

Part Number	Nominal Clamp Force N (lbf)	Dimensions					
		A	B	C	$\varnothing D$	E	F
37-30-294-60	110 (25)	254 (10)	97 (3.82)	25.4 (1.00)	5.5 (.217)	31.1 (1.22)	23.5 (.93)
37-30-297-60	190 (43)	379 (15)	222 (8.74)				
37-40-295-60	350 (79)	300 (12)	144 (5.67)	32 (1.25)	6.6 (.260)	38.6 (1.52)	29 (1.14)
37-40-305-60	475 (107)						

Other options available. For complete details on variety, part numbers, installation and specification, go to



[www.southco.com/37A](http://www.southco.com/37A)

Dimensions in millimeters (inch) unless otherwise stated

**southco**<sup>®</sup>  
CONNECT · CREATE · INNOVATE